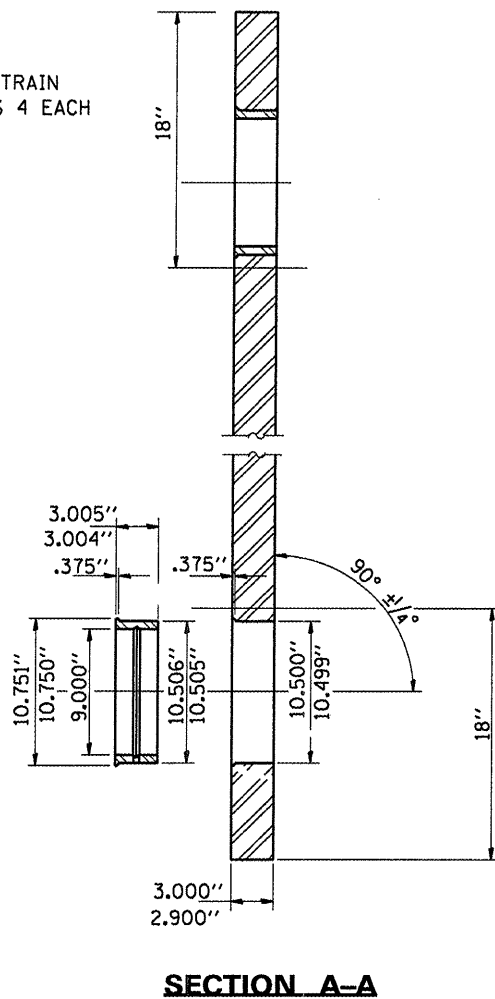
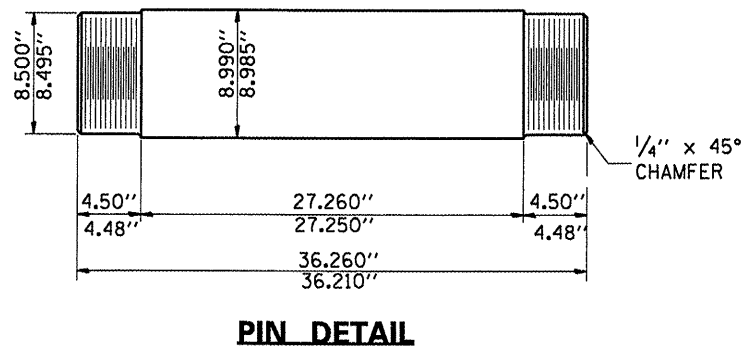


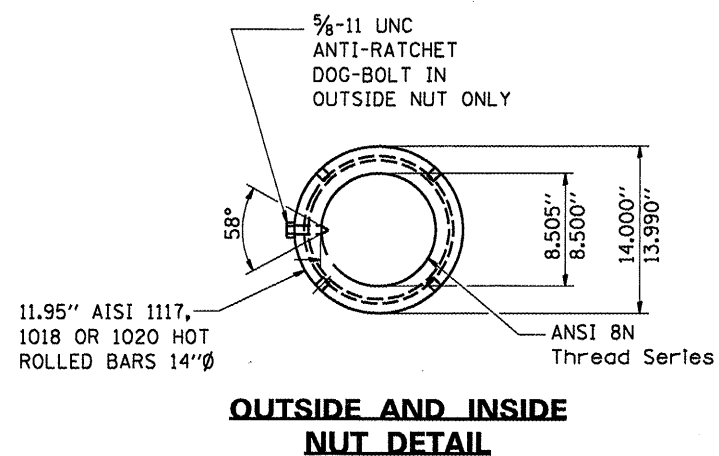
**LINK DETAIL**



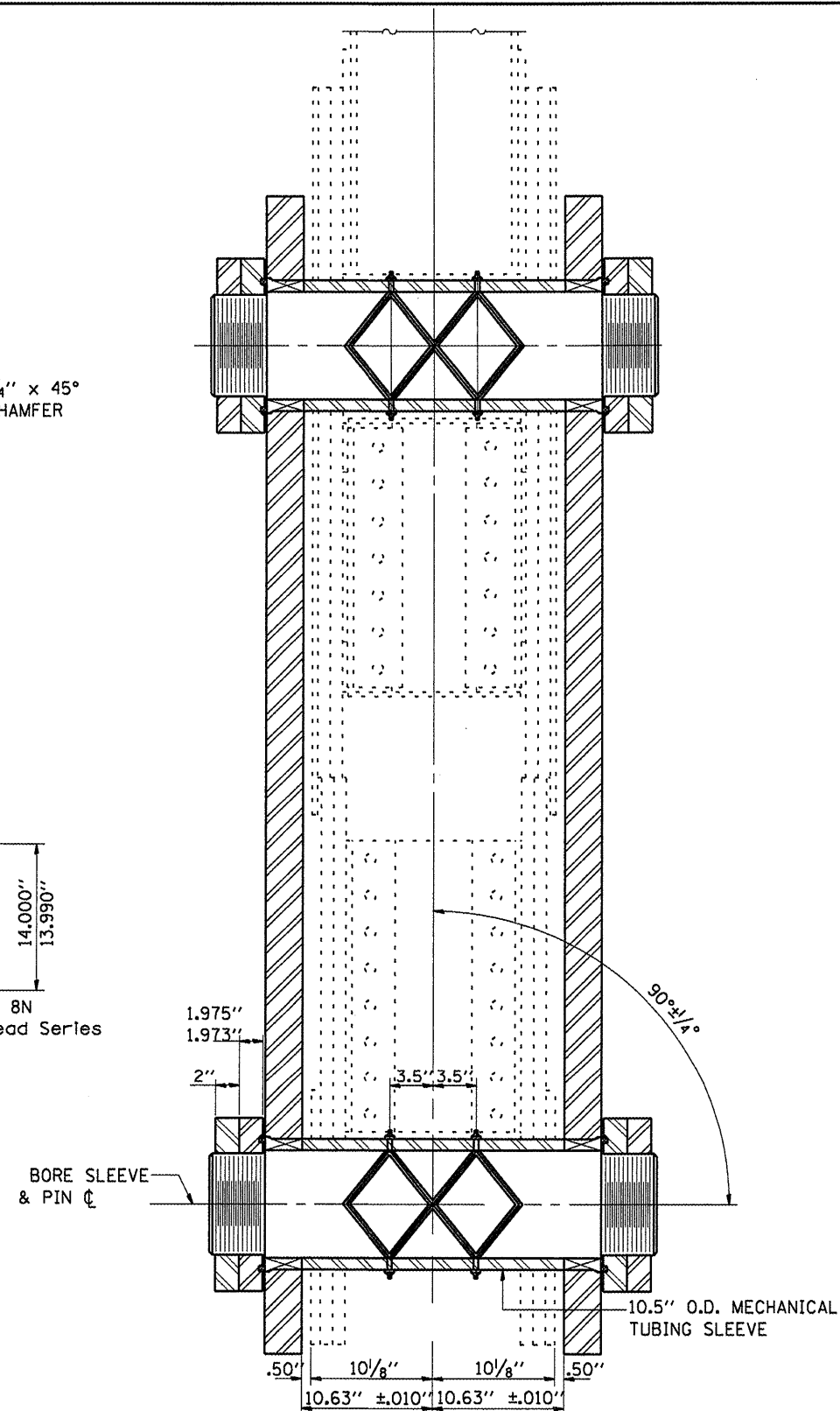
**SECTION A-A**



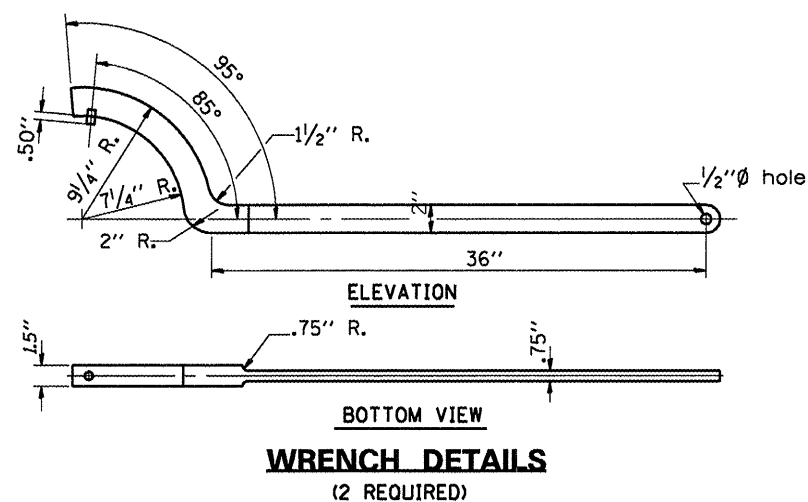
**PIN DETAIL**



**OUTSIDE AND INSIDE NUT DETAIL**



**SECTION THRU PIN AND LINK**



**WRENCH DETAILS  
(2 REQUIRED)**

**PIN AND LINK DETAILS**  
**FAP RTE 46 SEC (1-BD)BP**  
**LASALLE COUNTY**  
**STA 204+67.75**  
**SN 050-0079**

FILE NAME =	USER NAME = woodshankr1	DESIGNED = RON WOODSHANK	REVISED =
c:\pwork\FWIDOT\WOODSHANKR1\dms29378	d366854-shr-details.dgn	DRAWN = RON WOODSHANK	REVISED =
	PLOT SCALE = 100.0000 / IN.	CHECKED =	REVISED =
	PLOT DATE = Oct 15, 2008 - 07:07:22 AM	DATE =	REVISED =

**STATE OF ILLINOIS**  
**DEPARTMENT OF TRANSPORTATION**

**FOR INFORMATION ONLY**

SCALE: \_\_\_\_\_ SHEET NO. 20 OF 30 SHEETS STA. 193+08.08 TO STA. 216+13.82

F.A.P. RTE.	SECTION	COUNTY	TOTAL SHEETS	SHEET NO.
46	(1-BD)BP	LASALLE	38	28
FED. ROAD DIST. NO. ILLINOIS FED. AID PROJECT			CONTRACT NO. 66854	