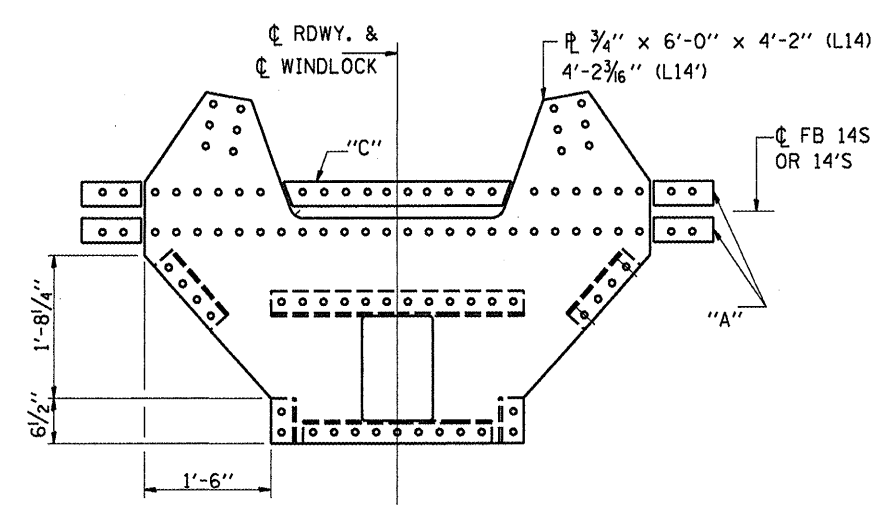
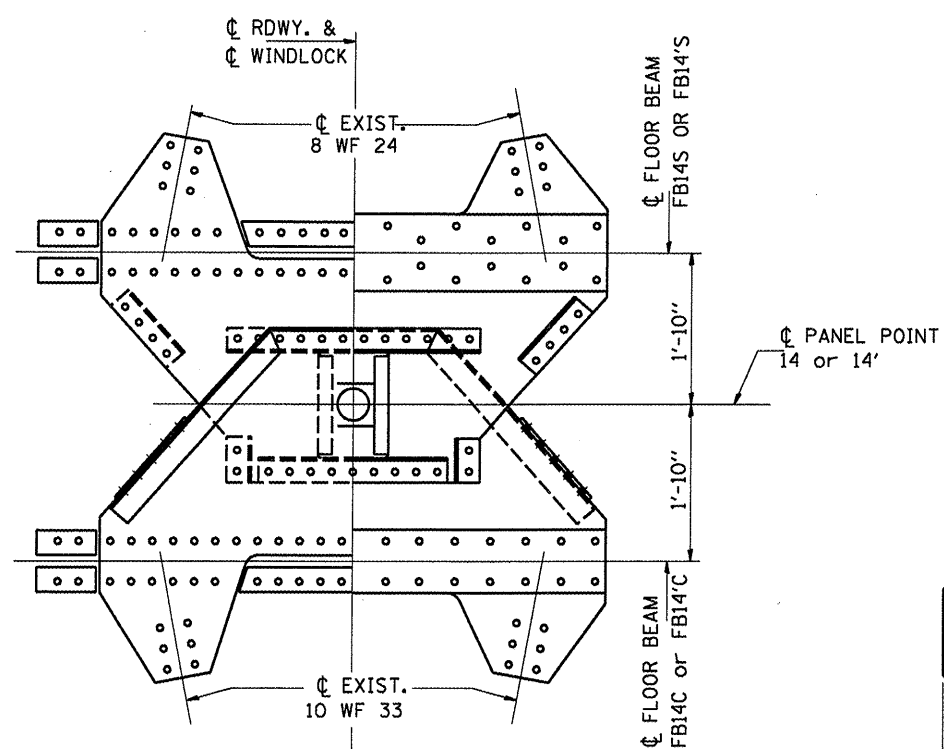


**TOP PLATE**

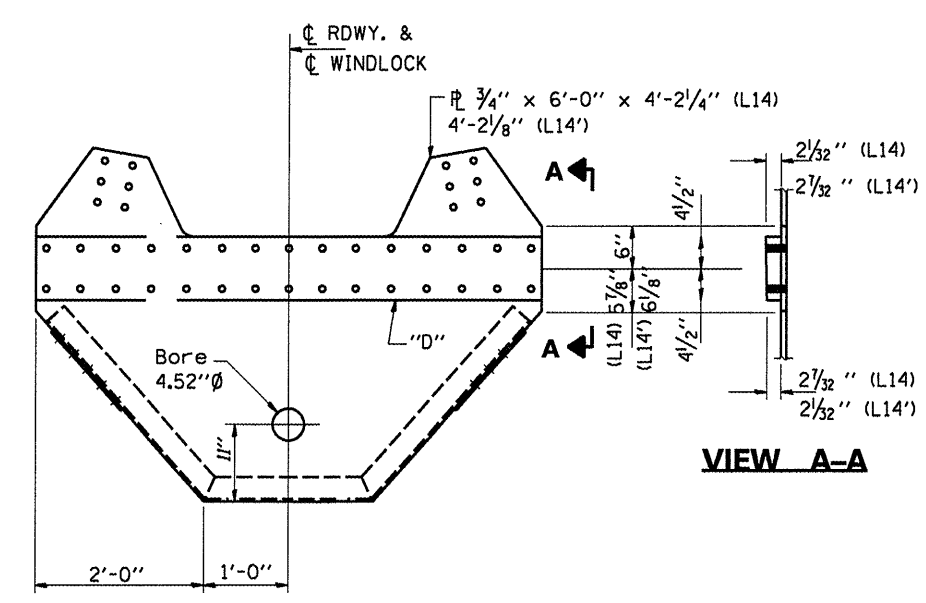


**TOP PLATE**



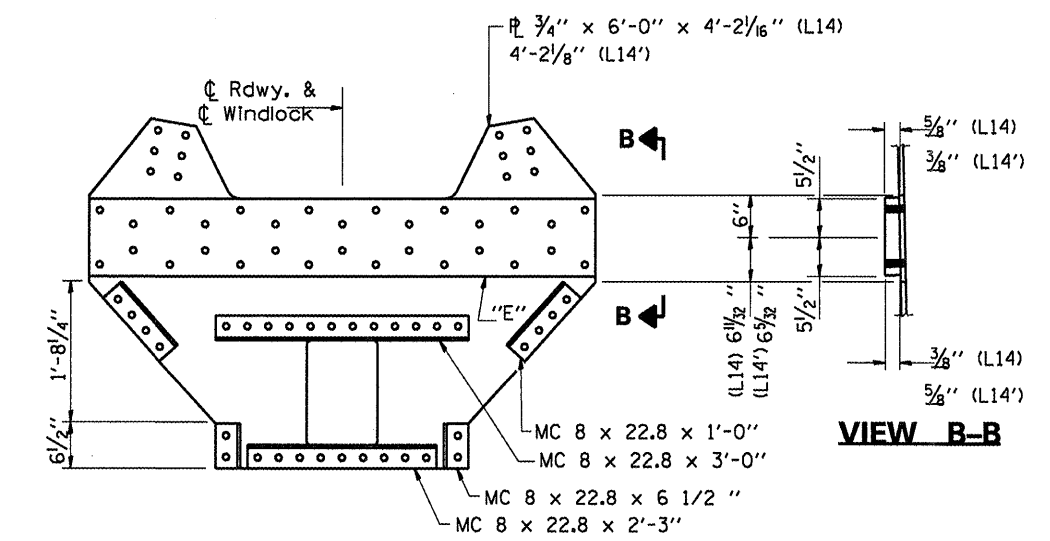
**HALF PLAN HALF SECTION**

**HALF PLAN - WINDLOCK ASSEMBLY  
FB L14 OR L14'**



**BOTTOM PLATE**

**HALF PLAN - WINDLOCK ASSEMBLY  
FB 14C OR 14'C**



**BOTTOM PLATE**

**WINDLOCK ASSEMBLY  
FAP RTE 46 SEC (1-BD)BP  
LASALLE COUNTY  
STA 204+67.75  
SN 050-0079**

FILE NAME =	USER NAME = woodshankr1	DESIGNED = RON WOODSHANK	REVISED =	<b>STATE OF ILLINOIS DEPARTMENT OF TRANSPORTATION</b>	<b>FOR INFORMATION ONLY</b>	F.A.P. RTE. = 46	SECTION = (1-BD)BP	COUNTY = LASALLE	TOTAL SHEETS = 38	SHEET NO. = 29	
ct\pw_work\PW1DOT\WOODSHANKR1\dms29379	d366854-shr-detail.dgn	DRAWN = RON WOODSHANK	REVISED =			SCALE: _____	SHEET NO. 21 OF 30 SHEETS	STA. 193+08.08 TO STA. 216+13.82	FED. ROAD DIST. NO. = ILLINOIS FED. AID PROJECT	CONTRACT NO. 66854	
	PLOT SCALE = 100.0000 ' / IN.	CHECKED =	REVISED =								
	PLOT DATE = Oct 15, 2008 - 07:07:26 AM	DATE =	REVISED =								