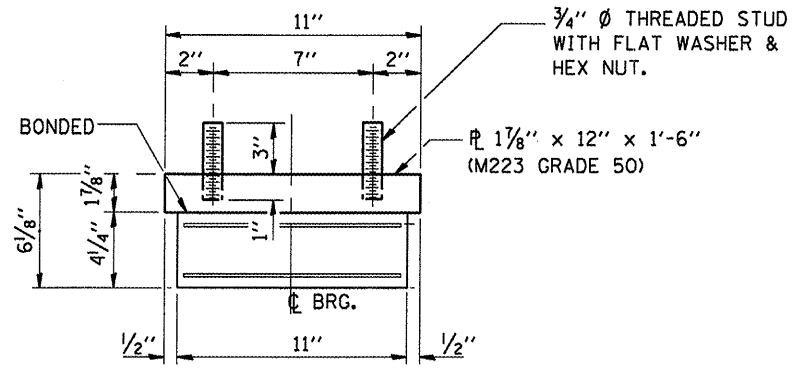
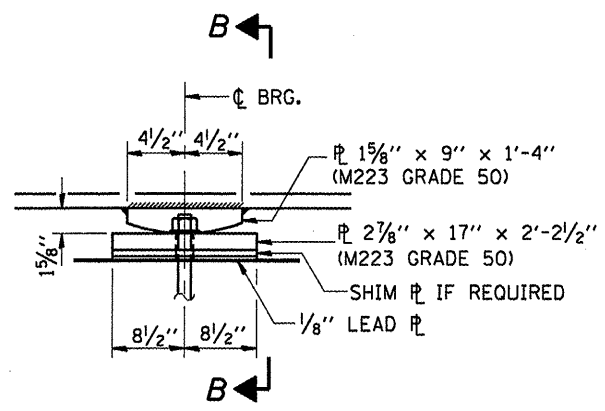


**ELEVATION AT PIER 1 - SPAN 2 AND PIER 3 - SPAN 3**

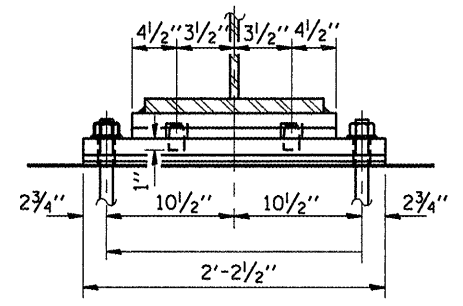
**SECTION A-A**



**BEARING ASSEMBLY**

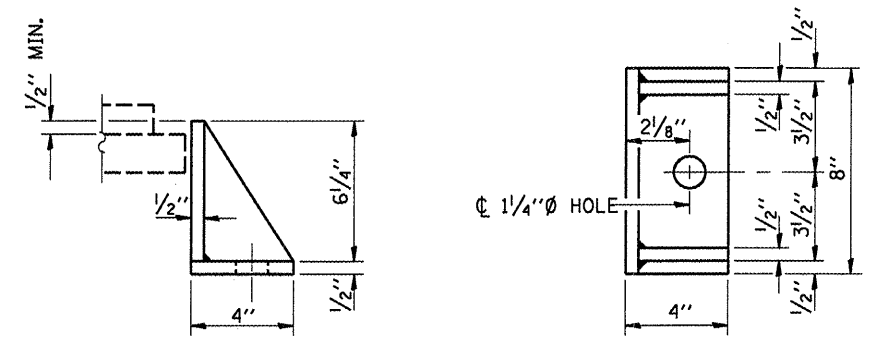


**ELEVATION AT PIER 2**

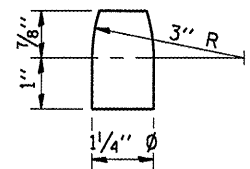


**SECTION B-B**

**FIXED BEARING ASSEMBLY**



**SIDE RETAINER**



**PINTLE**

**BEARING DETAILS  
PIER 1 - SPAN 2 &  
PIER 2 & PIER 3 - SPAN 3  
FAP RTE 46 SEC (1-BD)BP  
LASALLE COUNTY  
STA 204+67.75  
SN 050-0079**

FILE NAME =	USER NAME = woodshankr1	DESIGNED = RON WOODSHANK	REVISED =	<b>STATE OF ILLINOIS DEPARTMENT OF TRANSPORTATION</b>	<b>FOR INFORMATION ONLY</b>	F.A.P. RTE.	SECTION	COUNTY	TOTAL SHEETS	SHEET NO.	
d:\pwork\pwork\WOODSHANKRL\dms29378	d368854-sht-details.dgn	DRAWN = RON WOODSHANK	REVISED =			46	(1-BD)BP	LASALLE	38	32	
PLOT SCALE = 1/8" = 1'-0" IN.	CHECKED =	REVISOR =	REVISOR =			CONTRACT NO. 66854					
PLOT DATE = Oct 15, 2008 - 07:07:43 AM	DATE =	REVISOR =	REVISOR =			FED. ROAD DIST. NO. ILLINOIS FED. AID PROJECT					