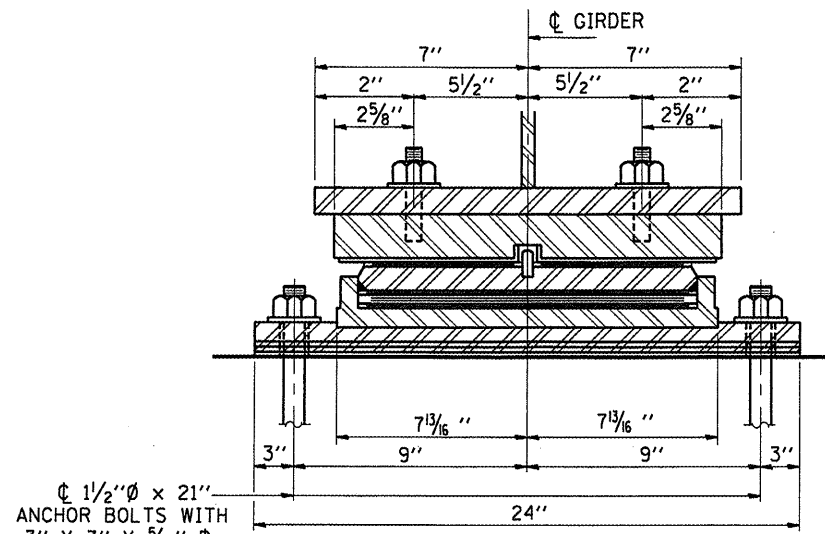
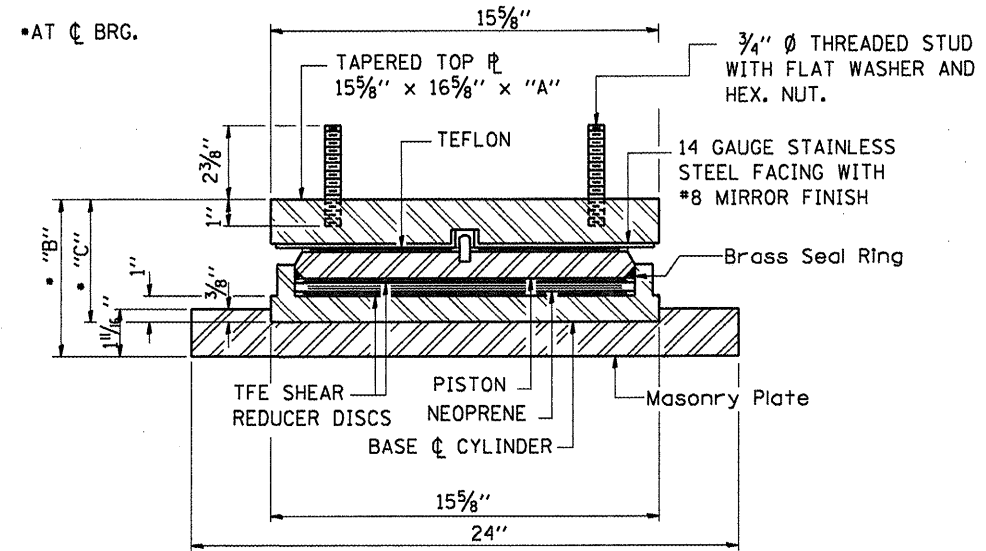


ELEVATION AT PIER 7 AND 10



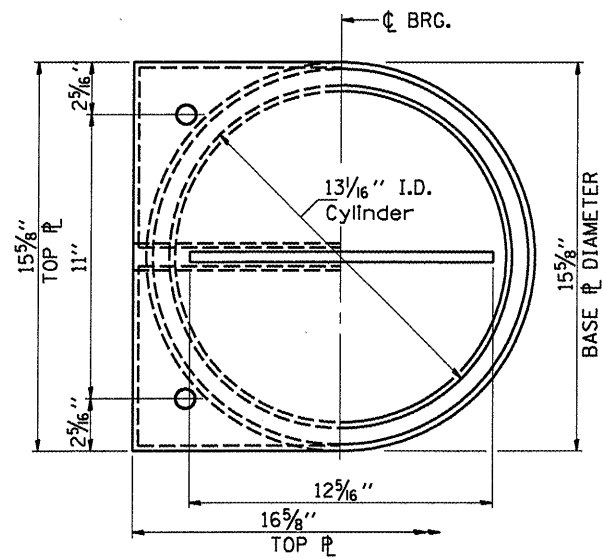
SECTION A-A

1/2" Ø x 21" ANCHOR BOLTS WITH 3" x 3" x 5/16" P WASHER UNDER NUT.

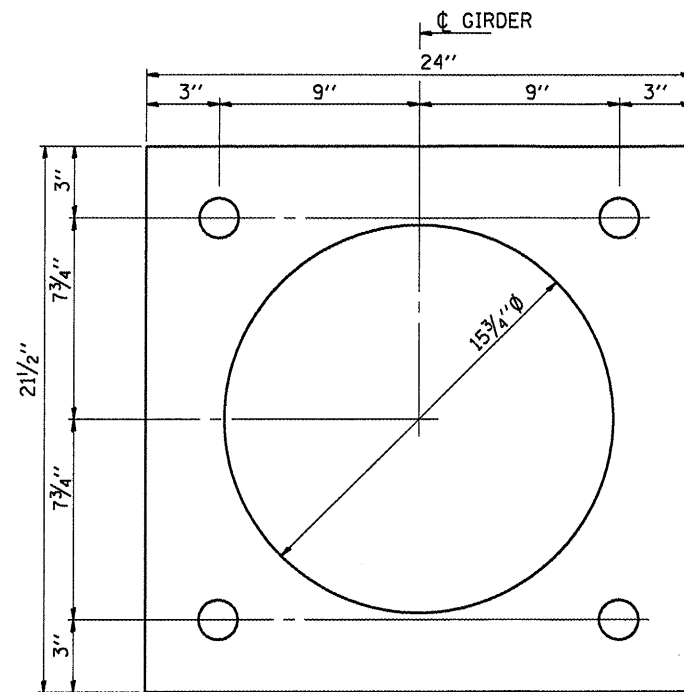


BEARING ASSEMBLY

EXPANSION FLOATING BEARING



CUT-AWAY PLAN
(HALF OF TOP PLATE SHOWN)



MASONRY PLATE DETAIL

DIMENSIONS "A", "B" & "C"

Location	"A"	"B"	"C"
PIER 7	3 7/16"	7 11/16"	6 3/8"
PIER 10	3 1/2"	7 11/16"	6 3/8"

BEARING DETAILS
PIER 7 AND 10
FAP RTE 46 SEC (1-BD)BP
LASALLE COUNTY
STA 204+67.75
SN 050-0079