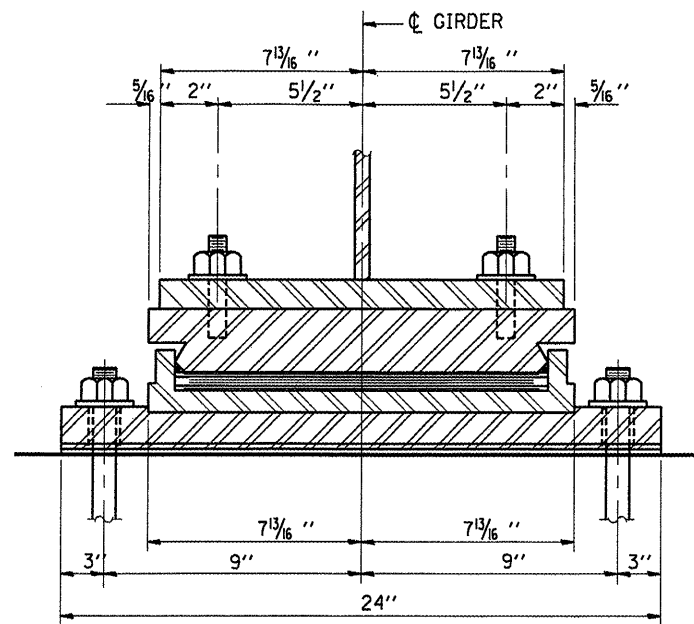
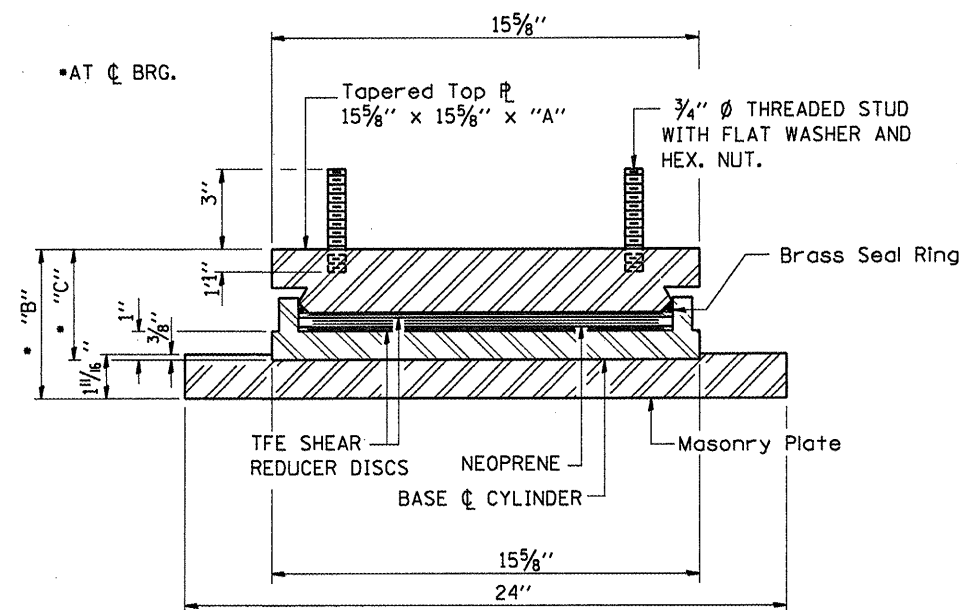


ELEVATION AT PIER 8 AND 11

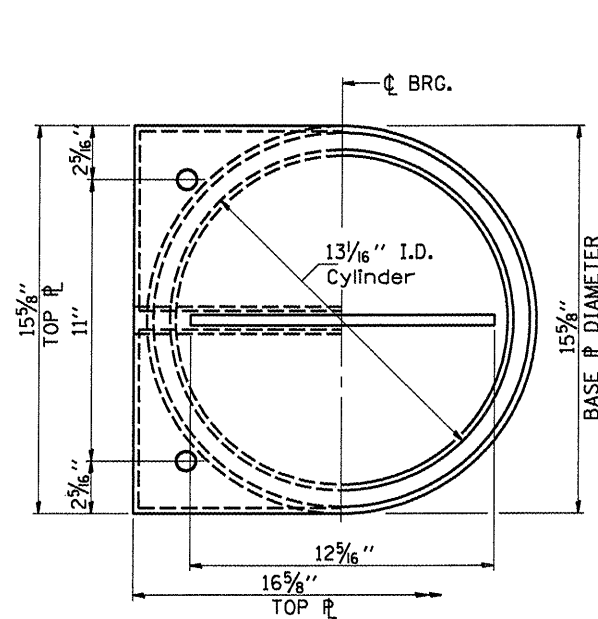


SECTION A-A

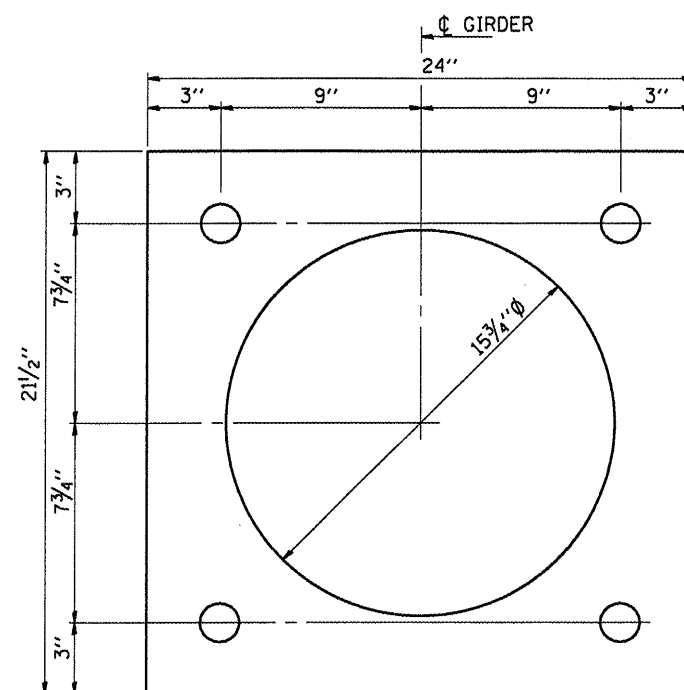


BEARING ASSEMBLY

EXPANSION FLOATING BEARING



**CUT-AWAY PLAN
(HALF OF TOP PLATE SHOWN)**



MASONRY PLATE DETAIL

DIMENSIONS "A", "B" & "C"

Location	"A"	"B"	"C"
PIER 8	1 5/16 "	6/8 "	4 13/16 "
PIER 11	2 "	6/8 "	4 3/16 "

BEARING DETAILS

PIERS 8 & 11

FAP RTE 46 SEC (1-BD)BP

LASALLE COUNTY

STA 204+67.75

SN 050-0079