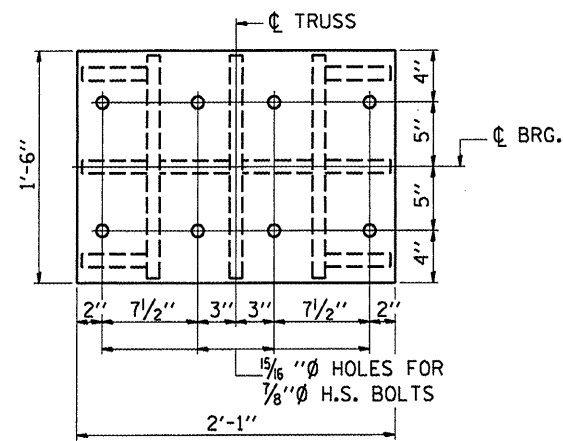
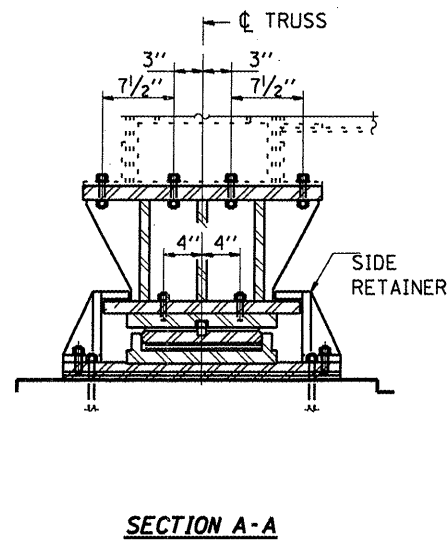
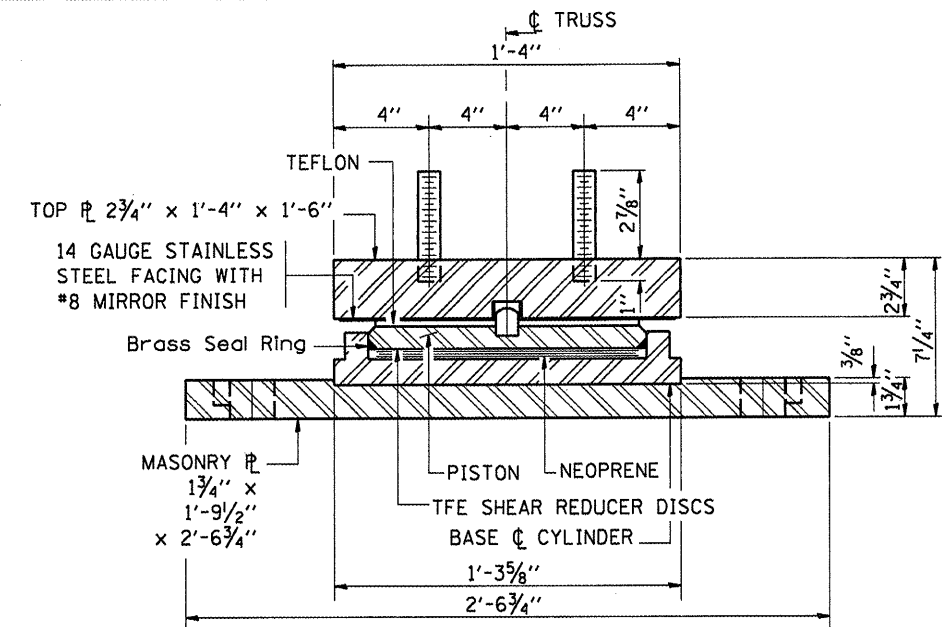


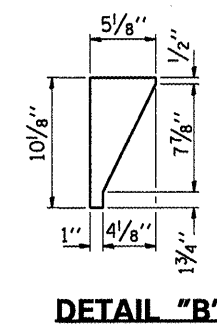
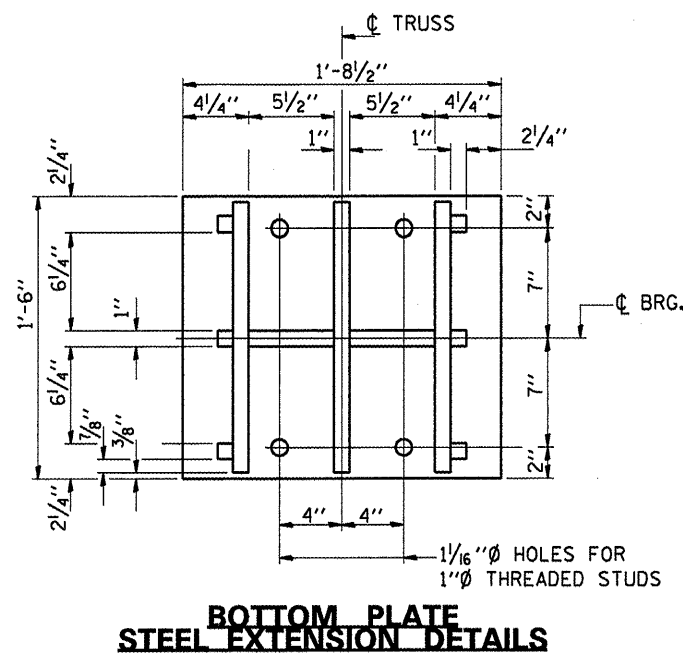
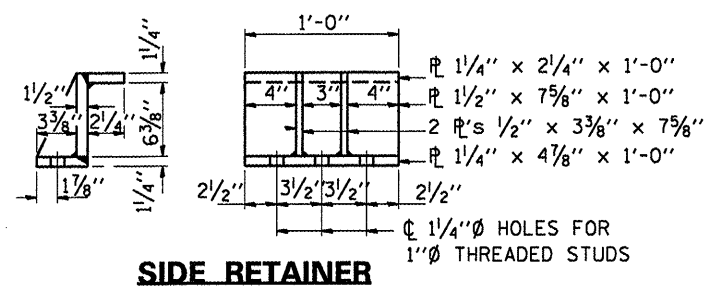
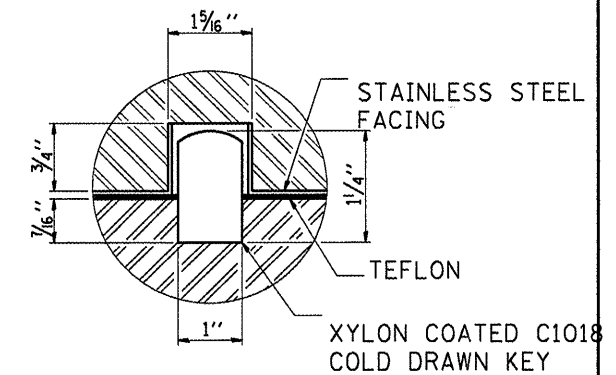
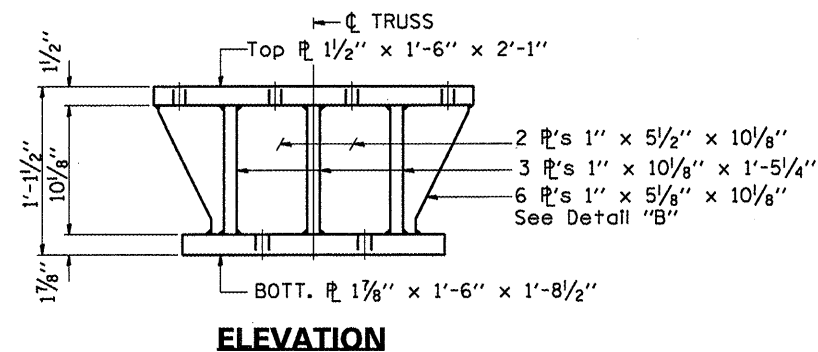
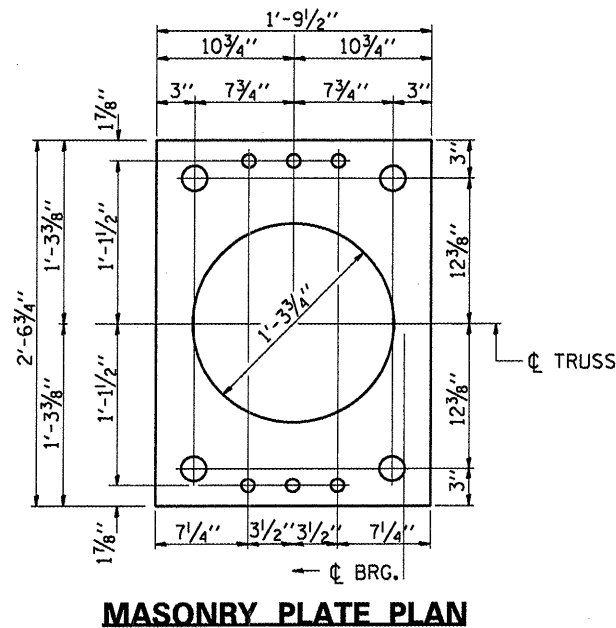
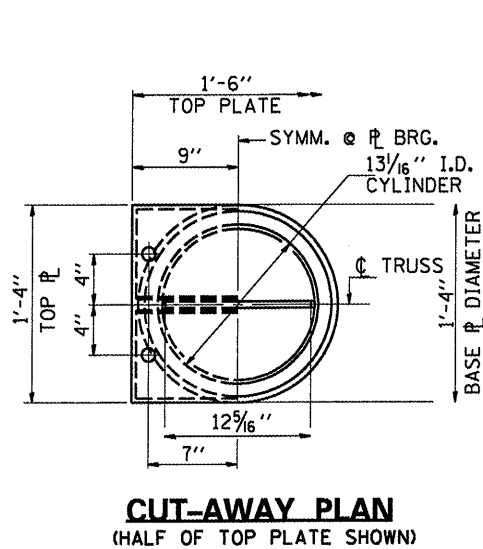
EXPANSION FLOATING BEARING



TOP PLATE



BEARING ASSEMBLY



BEARING DETAILS
PIER 3 - SPAN 4 &
PIER 6 - SPAN 6
FAP RTE 46 SEC (1-BD)BP
LASALLE COUNTY
STA 204+67.75
SN 050-0079

FILE NAME =	USER NAME = woodshank-r1	DESIGNED = RON WOODSHANK	REVISED =
c:\pwork\PIWIDOT\WOODSHANKRL\dms29370	d368854-ahd-details.dgn	DRAWN = RON WOODSHANK	REVISED =
	PLOT SCALE = 100.0000 / IN.	CHECKED =	REVISED =
	PLOT DATE = Oct 16, 2008 - 07:08:09 AM	DATE =	REVISED =

STATE OF ILLINOIS
 DEPARTMENT OF TRANSPORTATION

FOR INFORMATION ONLY

SCALE: SHEET NO. 29 OF 30 SHEETS STA. 193+08.08 TO STA. 216+13.82

F.A.P. RTE.	SECTION	COUNTY	TOTAL SHEETS	SHEET NO.
46	(1-BD)BP	LASALLE	38	37
FED. ROAD DIST. NO. ILLINOIS FED. AID PROJECT			CONTRACT NO. 66854	