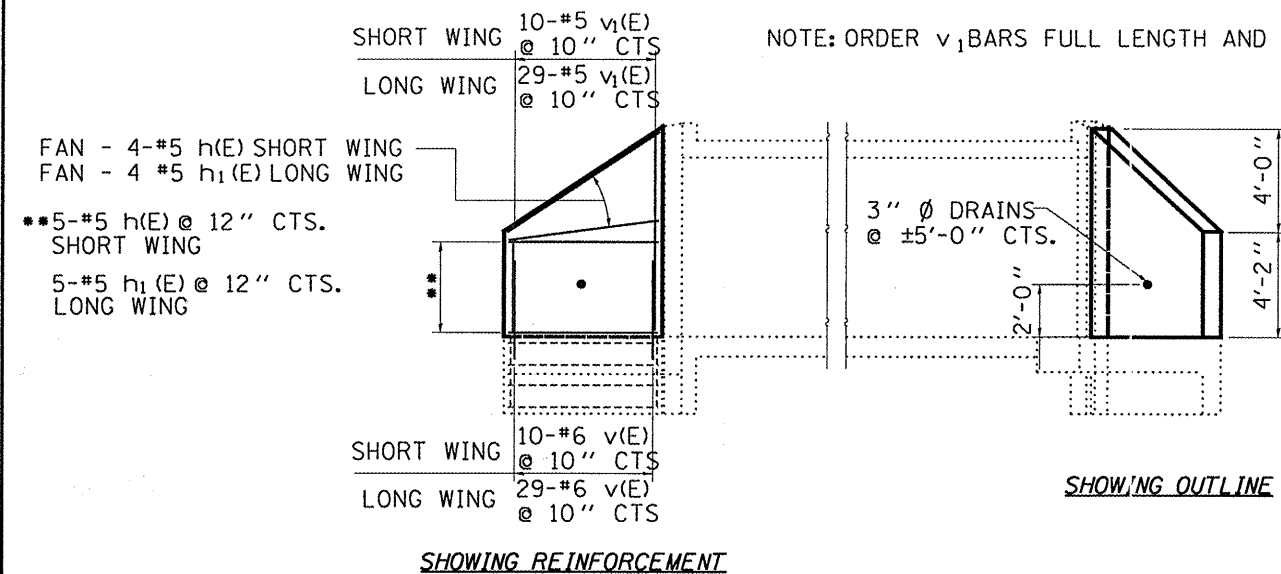


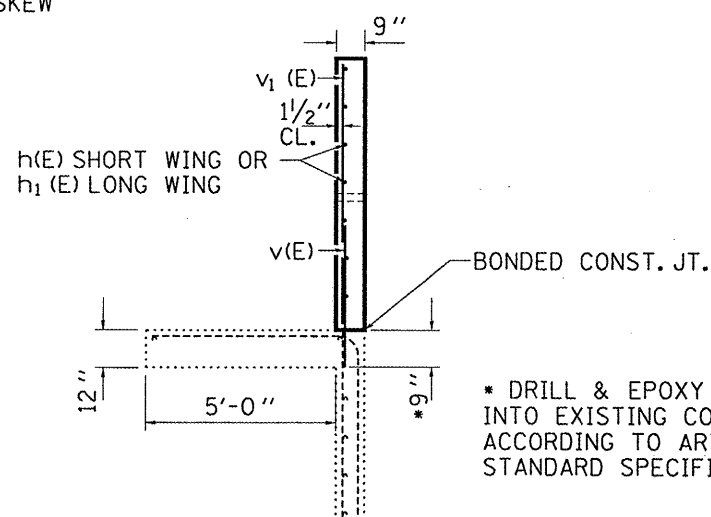
CONCRETE TABLE

LOCATION	CONCRETE BOX CULVERT
	CU YD
NW WING	1.3
SW WING	4
NE WING	1.3
SE WING	4

NOTE: ORDER v_1 BARS FULL LENGTH AND CUT TO FIT SKEW

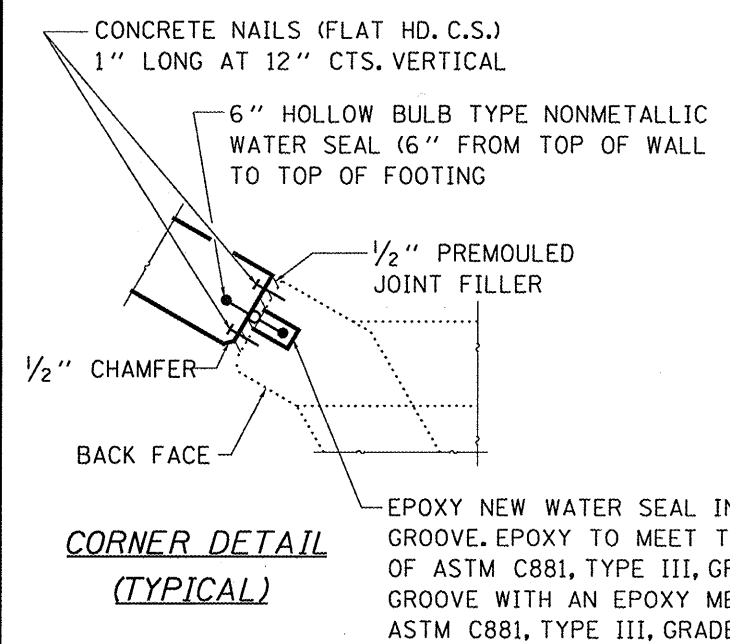


ELEVATION

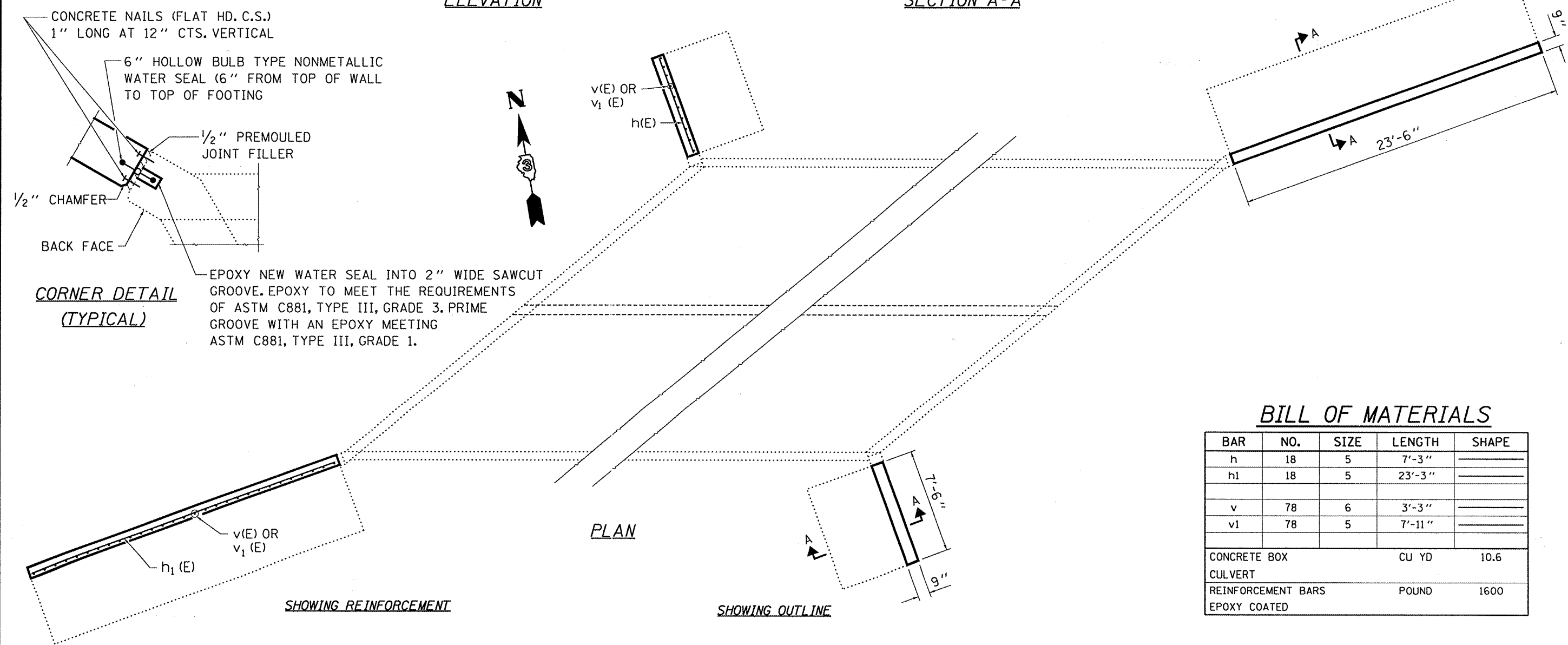


SECTION A-A

* DRILL & EPOXY GROUT v_1 BARS INTO EXISTING CONCRETE FOOTING ACCORDING TO ARTICLE 584 OF THE STANDARD SPECIFICATIONS.



CORNER DETAIL (TYPICAL)



PLAN

BILL OF MATERIALS

BAR	NO.	SIZE	LENGTH	SHAPE
h	18	5	7'-3"	—————
h1	18	5	23'-3"	—————
v	78	6	3'-3"	—————
v1	78	5	7'-11"	—————
CONCRETE BOX CULVERT			CU YD	10.6
REINFORCEMENT BARS			POUND	1600
EPOXY COATED				

FILE NAME =	USER NAME = #USER#	DESIGNED - RON WOODSHANK	REVISED -
#FILE#		DRAWN - RON WOODSHANK	REVISED -
	PLOT SCALE = #SCALE#	CHECKED -	REVISED -
	PLOT DATE = #DATE#	DATE - 08/21/2008	REVISED -

STATE OF ILLINOIS
DEPARTMENT OF TRANSPORTATION

CONCRETE BOX CULVERT DETAILS
S.N. 050-2019

F.A.P. RTE. 311	SECTION 15B-111	COUNTY LASALLE	TOTAL SHEETS 13	SHEET NO. 10
SCALE: _____			CONTRACT NO. 66867	