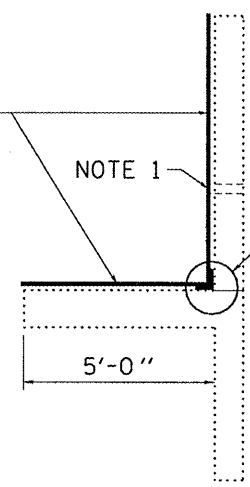


ELEVATION

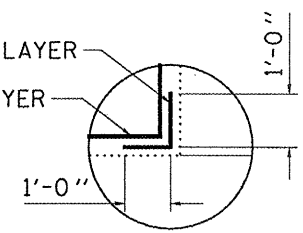
SHEET WATERPROOFING MEMBRANE SYSTEM



SECTION A-A

NOTE 1: WATERPROOFING MEMBRANE SHALL BE CUT AND EDGES SEALED AT DRAIN OPENING

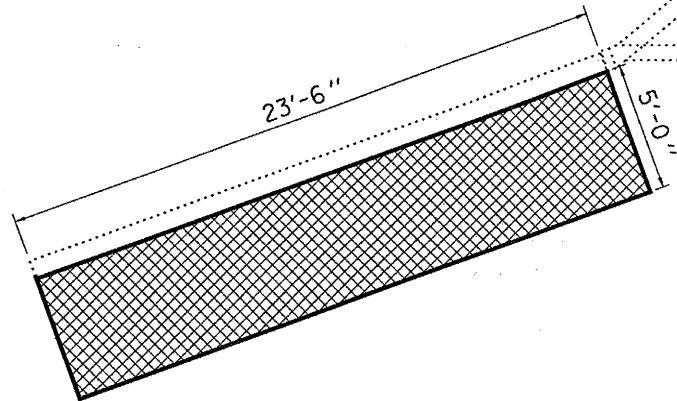
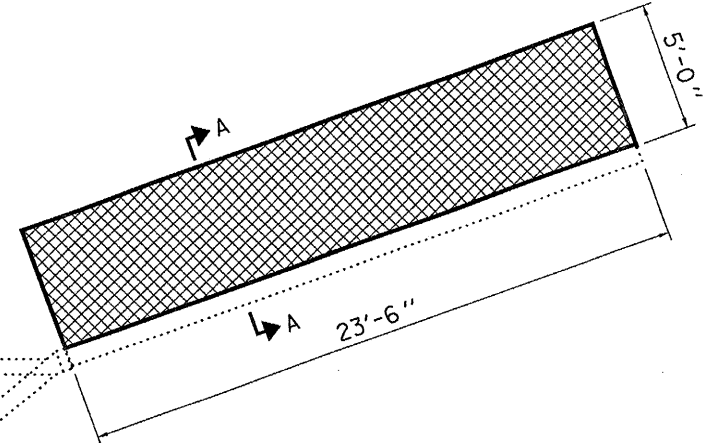
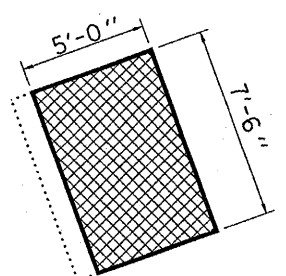
MEMBRANE 1st LAYER
MEMBRANE 2nd LAYER



DETAIL "A"

LEGEND

 SHEET WATERPROOFING MEMBRANE SYSTEM



PLAN

BILL OF MATERIALS

LOCATION	SHEET WATERPROOFING MEMBRANE SYSTEM
	SQ YD
NW WING	11
SW WING	34
NE WING	11
SE WING	34
TOTAL	90

FILE NAME =	USER NAME = #USER#	DESIGNED - RON WOODSHANK	REVISED -
#FILE#		DRAWN - RON WOODSHANK	REVISED -
	PLOT SCALE = #SCALE#	CHECKED -	REVISED -
	PLOT DATE = #DATE#	DATE - 08/21/2008	REVISED -

STATE OF ILLINOIS
DEPARTMENT OF TRANSPORTATION

WATERPROOFING DETAILS
S.N. 050-2019

SCALE:	SHEET NO. 7 OF 9 SHEETS	STA. TO STA.	F.A.P. RTE. 311	SECTION (5B-1)I	COUNTY LASALLE	TOTAL SHEETS 13	SHEET NO. 11
			FED. ROAD DIST. NO. [ILLINOIS]		CONTRACT NO. 66867		