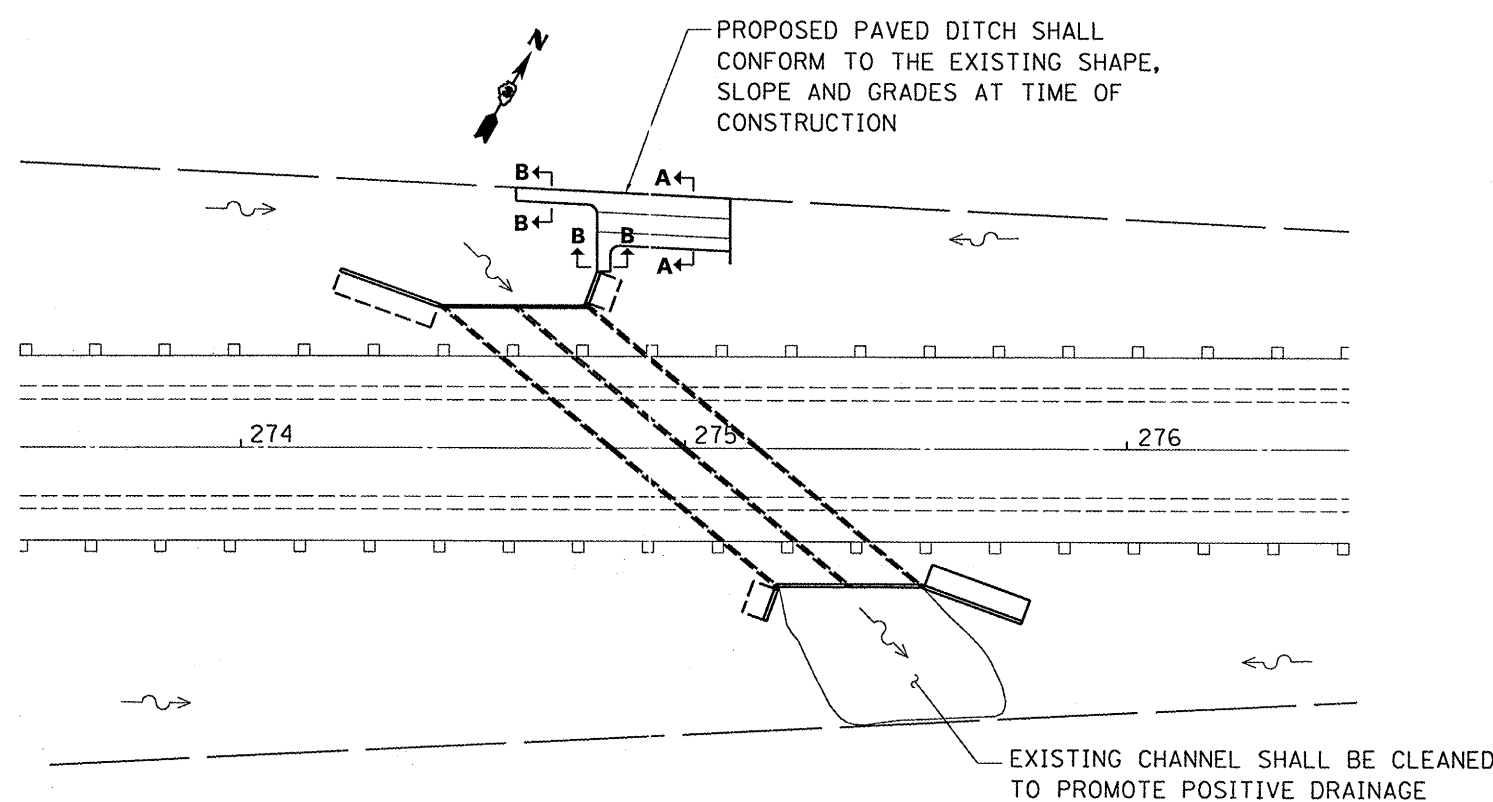
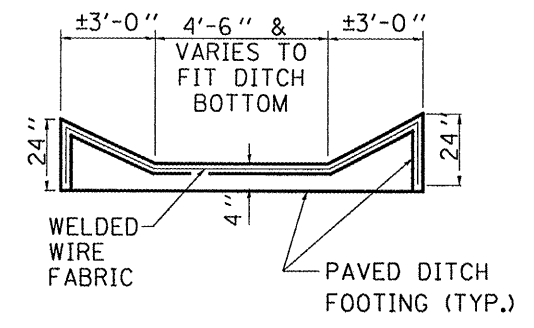


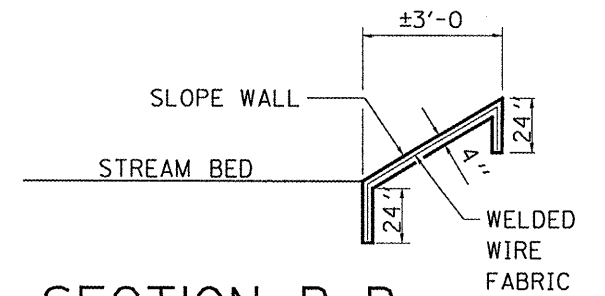
EXISTING PLAN



PROPOSED PLAN



SECTION A-A



SECTION B-B

BILL OF MATERIALS

LOCATION	PAVED DITCH REMOVAL & REPLACEMENT	CHANNEL EXCAVATION
	SQ YD	CU YD
WEST END	58	
EAST END		50
TOTAL	58	50

FILE NAME =	USER NAME = #USER*	DESIGNED - RON WOODSHANK	REVISED -
#FILE#		DRAWN - RON WOODSHANK	REVISED -
	PLOT SCALE = #SCALE*	CHECKED -	REVISED -
	PLOT DATE = #DATE*	DATE - 08/21/2008	REVISED -

STATE OF ILLINOIS
DEPARTMENT OF TRANSPORTATION

EROSION REPAIR DETAILS
S.N. 050-2019

F.A.P. RTE.	SECTION	COUNTY	TOTAL SHEETS	SHEET NO.
311	(98-11)	LASALLE	13	13
FED. ROAD DIST. NO. ILLINOIS			CONTRACT NO. 66867	