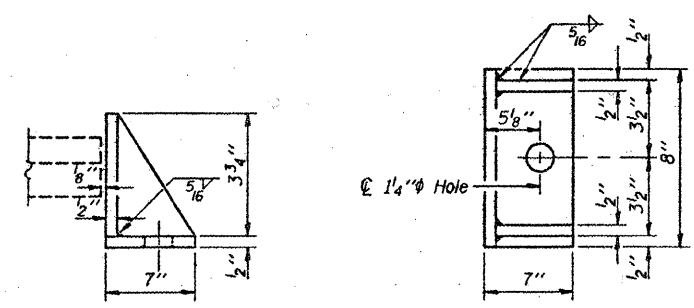
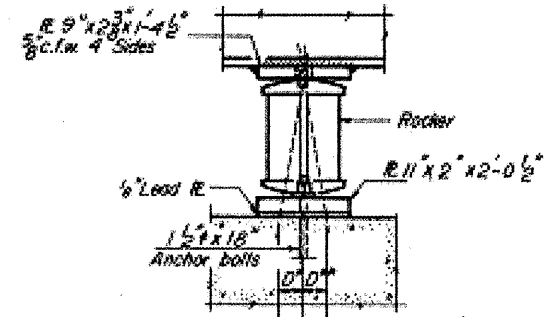


ROUTE NO.	SECTION	COUNTY	TOTAL SHEETS	SHEET NO.
F. A. I. - 180	06-2HB-4	BUREAU	103	17
FED. ROAD DIV. NO. 4	ILLINOIS PROJECT			

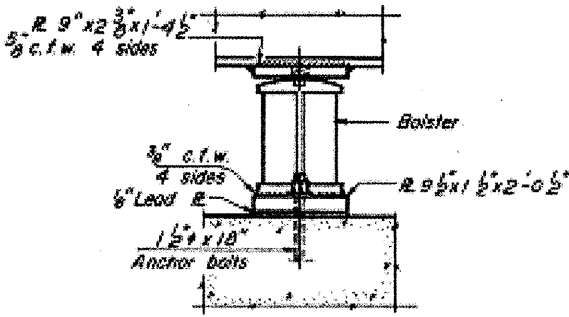


SIDE RETAINER

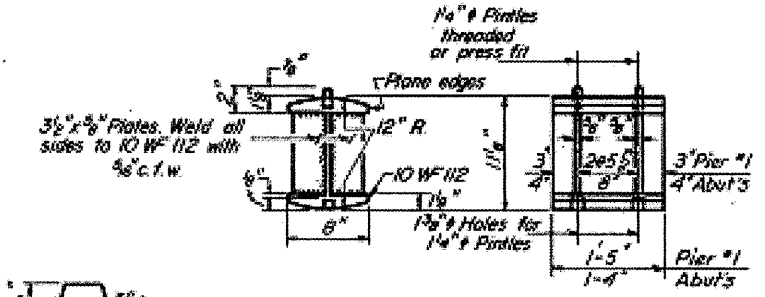
Anchor bolts for steel erection at various temperatures



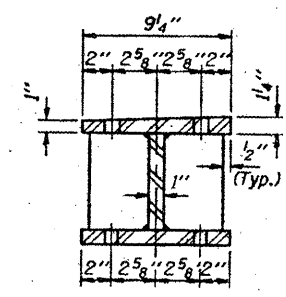
ELEVATION



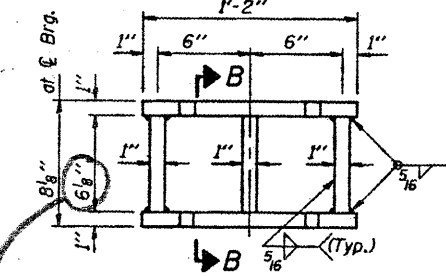
ELEVATION



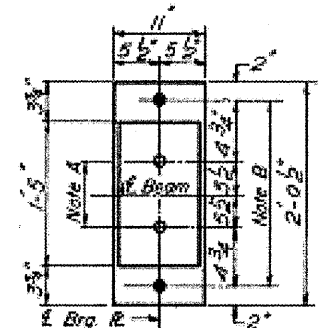
ROCKER



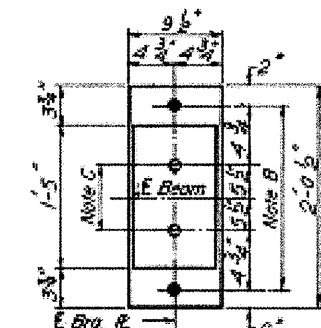
SECTION B-B



STEEL EXTENSION DETAIL

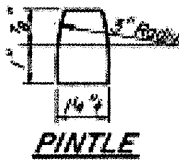


PLAN AT PIER 1

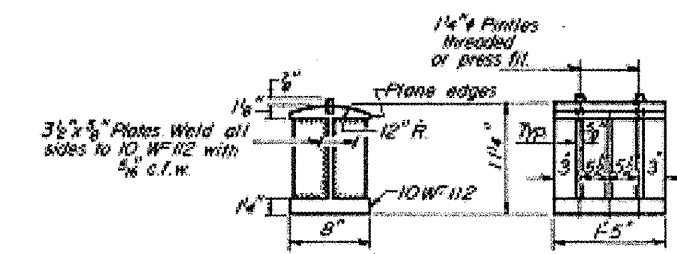


PLAN AT PIER 2

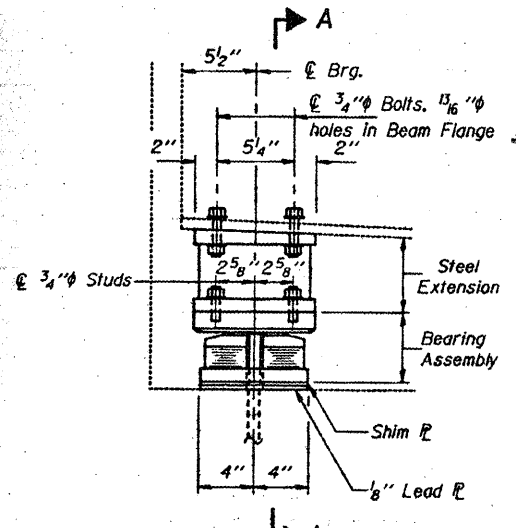
BEARING ASSEMBLY DETAILS



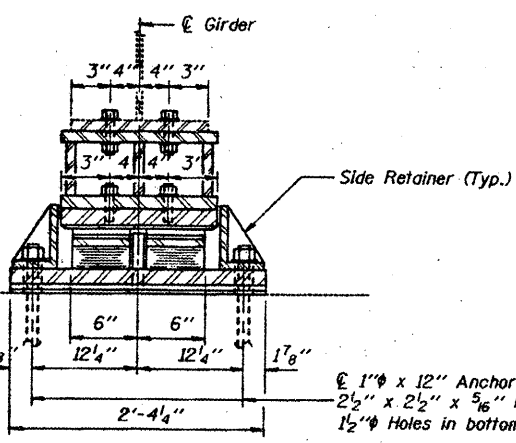
PINTE



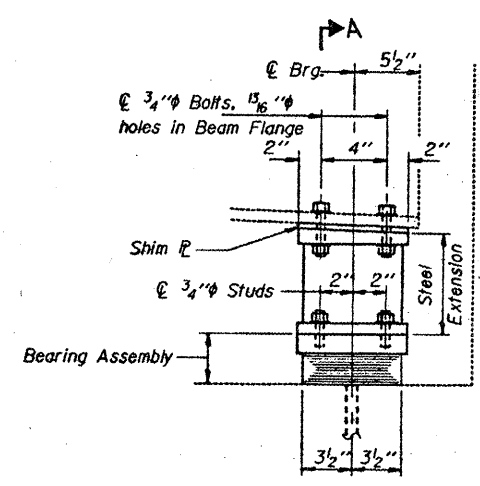
BOLSTER



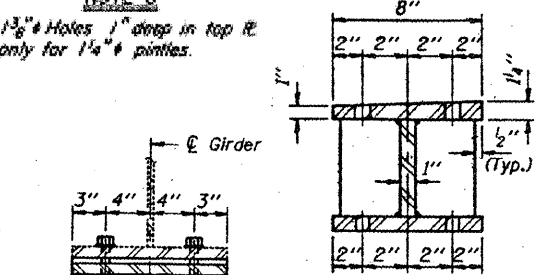
ELEVATION AT WEST ABUTMENT



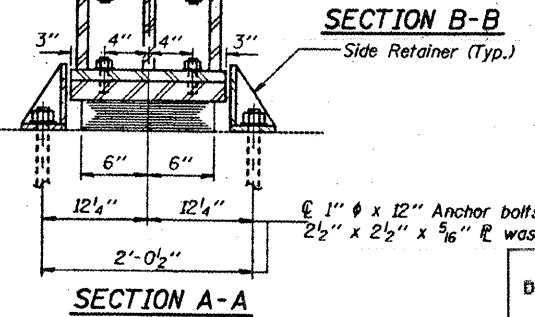
SECTION A-A



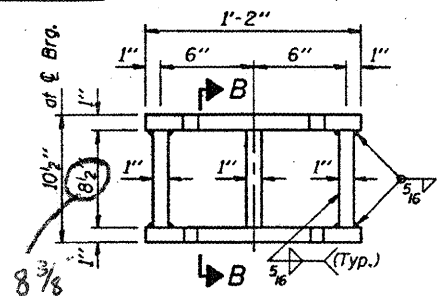
ELEVATION AT EAST ABUTMENT



SECTION B-B



SECTION A-A



STEEL EXTENSION DETAIL

NOTE A  
1 1/8\"/>

NOTE B  
2 # Holes for 1 1/2\"/>

NOTE C  
1 3/8\"/>

DESIGNED BY: BK  
DRAWN BY: J.J.  
CHECKED BY: B.P.  
INVESTIGATED BY: K.A.

**FOR INFORMATION ONLY**

BRIDGE NO. 8  
STATE OF ILLINOIS  
DEPARTMENT OF PUBLIC WORKS & BLDGS.  
DIVISION OF HIGHWAYS &  
BEARING DETAILS  
ROADWAY "F" OVER ROADWAY "G"  
STATION 653+47.92  
F. A. I. RT. 180 BUREAU COUNTY SECTION 06-2HB-4  
H. W. LOCHNER, INC.  
ENGINEERS  
CHICAGO, ILLINOIS  
SHEET 9 OF 18

FILE NAME =  
USER NAME = woodshankr1  
DESIGNED - RON WOODSHANK  
DRAWN - RON WOODSHANK  
CHECKED -  
DATE -  
PLOT SCALE = 100.0000 / 1 IN.  
PLOT DATE = Sep 19, 2006 - 10:18:38 AM

DESIGNED - RON WOODSHANK  
DRAWN - RON WOODSHANK  
CHECKED -  
DATE -  
REVISIONS:  
REVISION NO. | REVISION DESCRIPTION  
1 |  
2 |

STATE OF ILLINOIS  
DEPARTMENT OF TRANSPORTATION

EXISTING STRUCTURE PLANS  
SCALE:  
SHEET NO. 8 OF 8 SHEETS  
STA. 652+25.70 TO STA. 654+59.25

F.A.I. RTE.	SECTION	COUNTY	TOTAL SHEETS	SHEET NO.
180	06-2HB-4BP	BUREAU	14	14
FED. ROAD DIST. NO. ILLINOIS			CONTRACT NO. 66876	