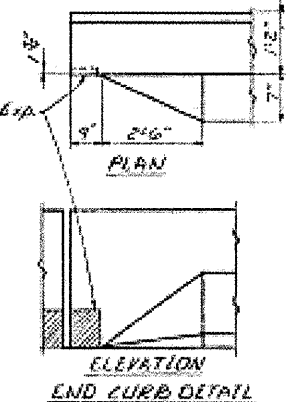
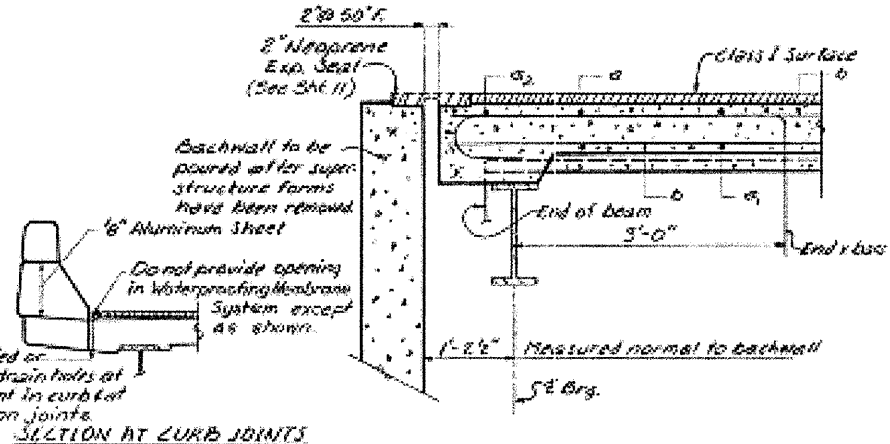
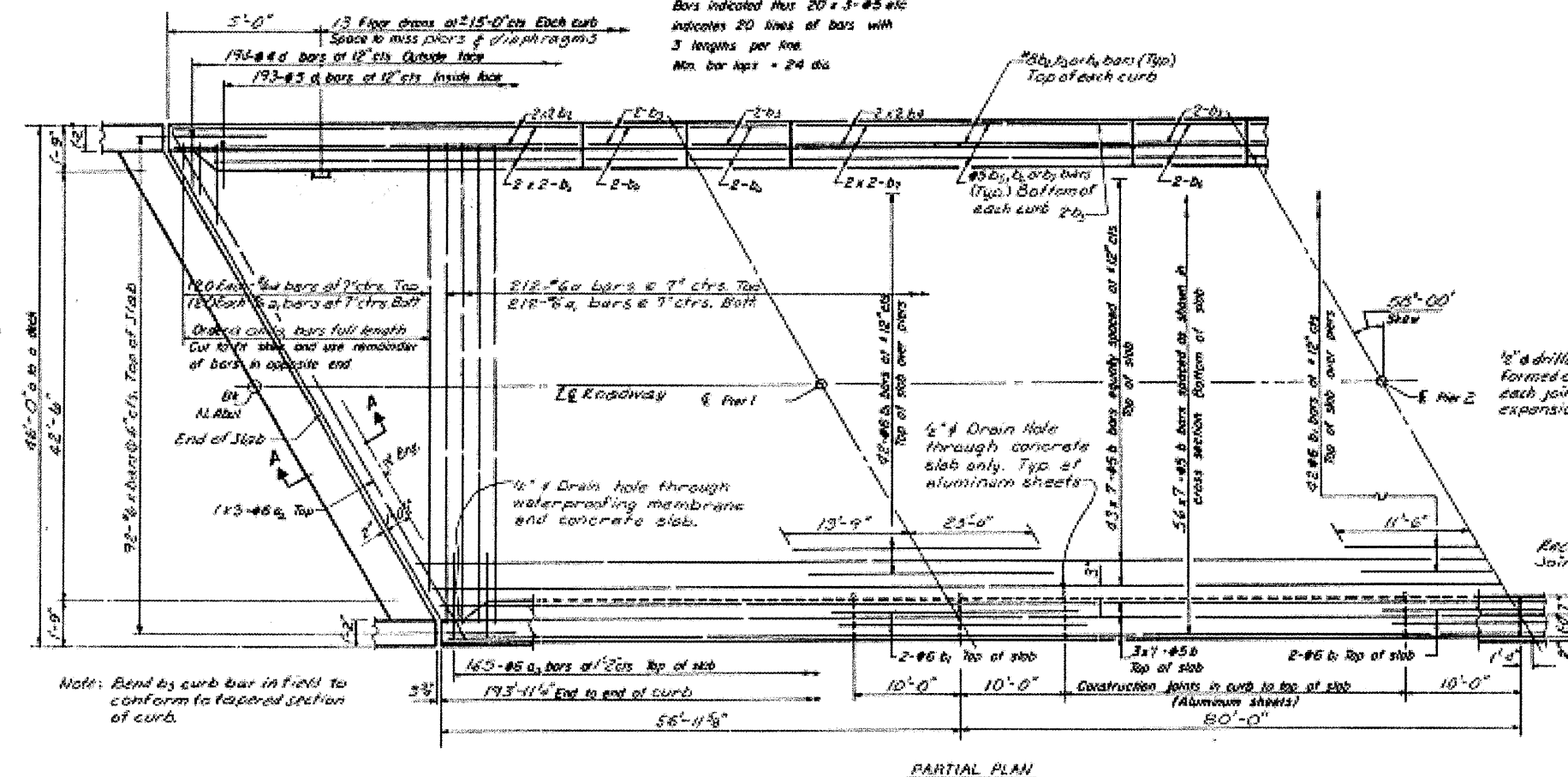


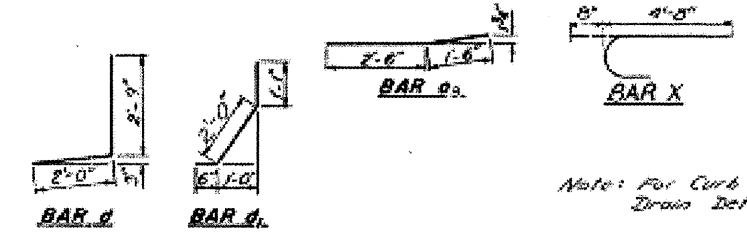
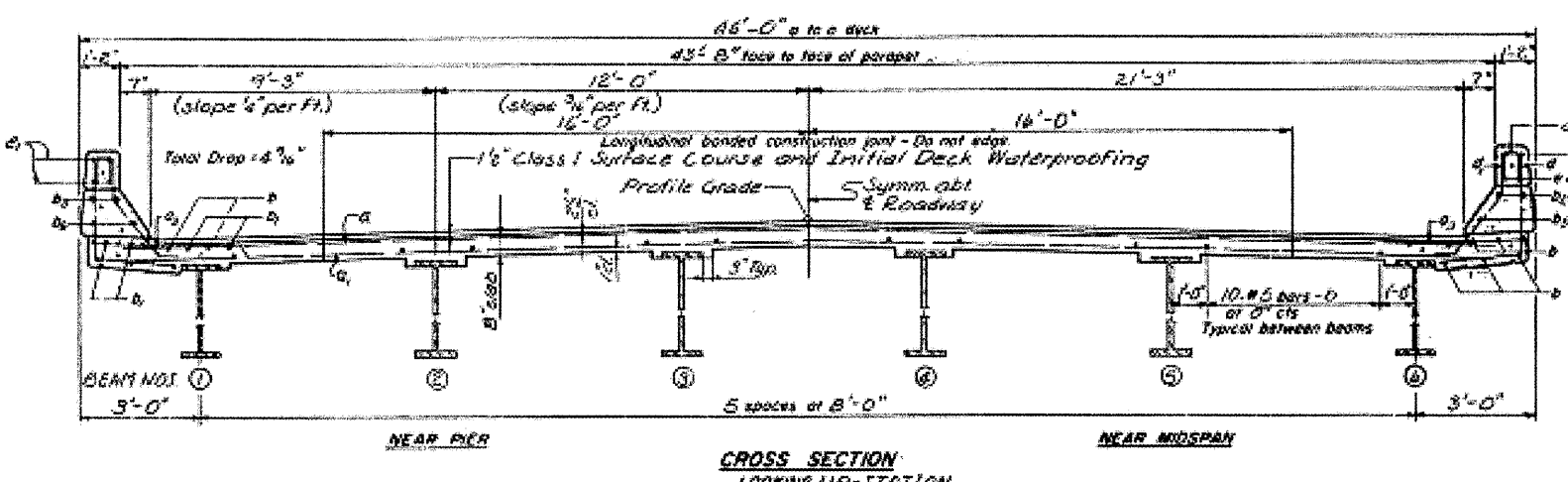
STATE OF ILLINOIS
DEPARTMENT OF TRANSPORTATION

ROUTE NO.	SECTION	COUNTY	SHEET NO.	SHEET NO. OF SHEETS
68	101B	LIVINGSTON	54	22
FED. ROAD DIST. NO. ILLINOIS PROJECT				



BILL OF MATERIAL

Qty.	No.	Size	Length	Shape
a	332	#6	24'-0"	
a	337	#6	37'-6"	
a ₂	6	#6	30'-0"	
a ₃	330	#6	4'-0"	
b	725	#5	24'-9"	
b	42	#6	36'-9"	
b ₂	16	#8	24'-4"	
b ₃	16	#8	9'-2"	
b ₄	8	#8	30'-0"	
b ₅	12	#5	24'-0"	
b ₆	16	#5	4'-8"	
b ₇	8	#5	30'-6"	
c	328	#4	4'-9"	
c	386	#5	3'-7"	
x	104	#8	5'-4"	
Reinforcement Bars		Lbs.	77,500	
Structural Steel		Lbs.	294,200	
Class I Concrete (Slab and Curb)		Cu Yds	266.4	



NOTES:
 For parapet details and quantities, see sheet 6.
SUPERSTRUCTURE
 FA. ROUTE 68/LL 2310VER
 LONG POINT CREEK
 FA. RT. 68 SEC. 101B-1
 LIVINGSTON COUNTY
 STATION 408+41.50

DESIGNED: C. WOODSHANK
 CHECKED: W.D. WALDEN
 DRAWN: C. HENDERSON
 CHECKED: W.D. WALDEN

FOR INFORMATION ONLY