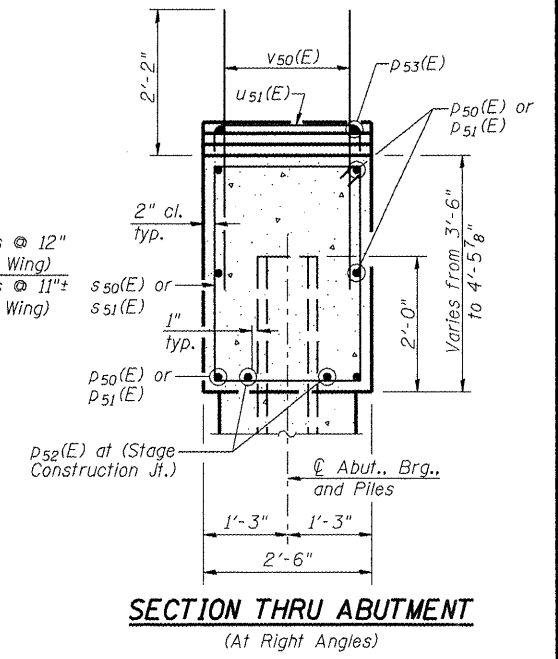
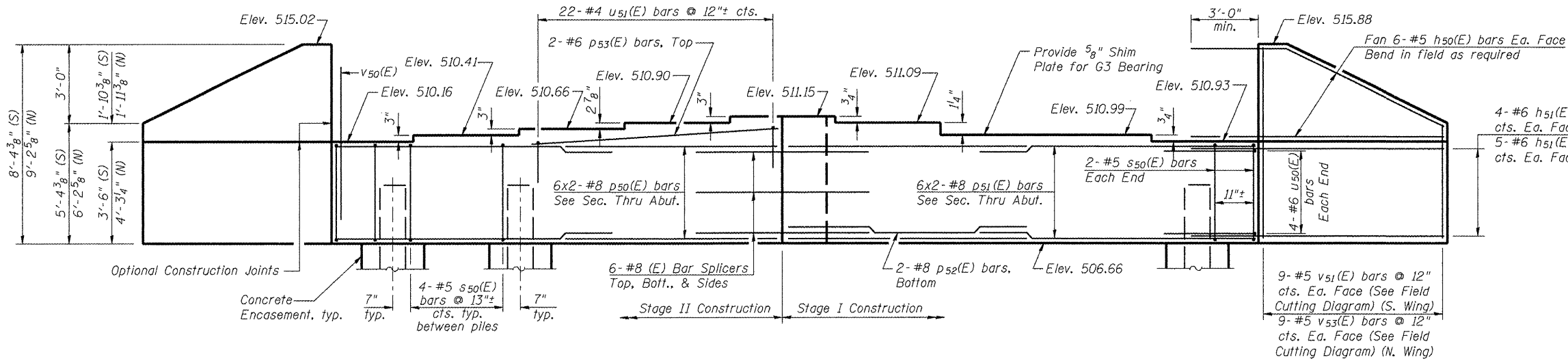


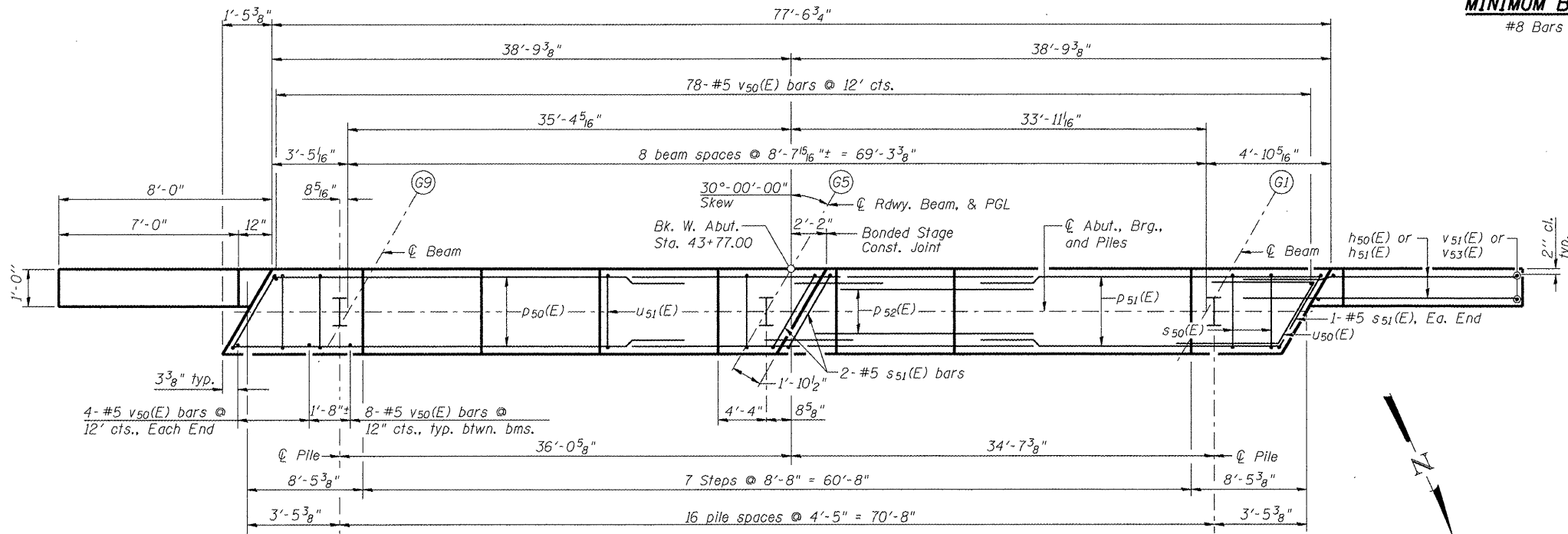
Notes: Pour steps monolithically with cap.
See Sht. 16 of 33 for Anchor Bolt Placement.
Space reinforcement to miss anchor bolts.

STATE OF ILLINOIS DEPARTMENT OF TRANSPORTATION



ELEVATION

**SECTION THRU ABUTMENT
(At Right Angles)**



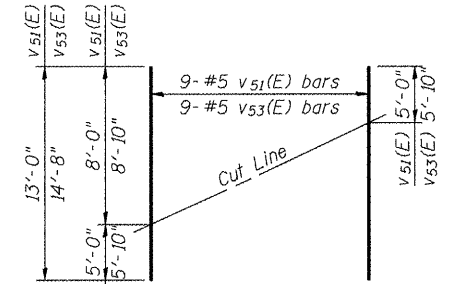
MINIMUM BAR LAPS
#8 Bars = 6'-4"

BILL OF MATERIAL

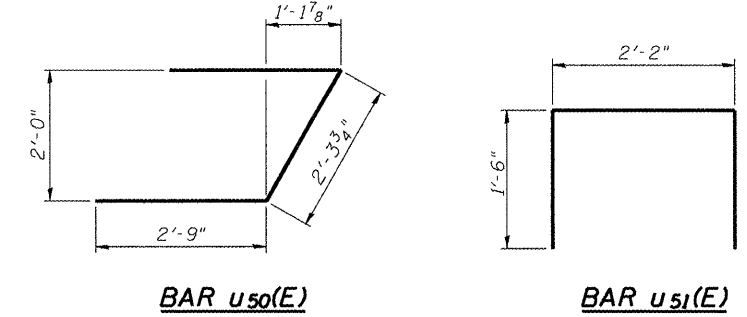
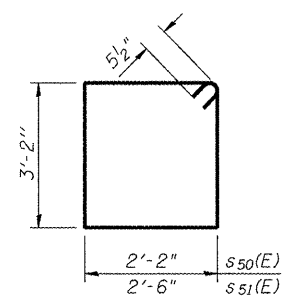
Bar	No.	Size	Length	Shape
h50(E)	24	#5	11'-6"	
h51(E)	18	#6	11'-7"	
p50(E)	12	#8	23'-6"	
p51(E)	12	#8	21'-4"	
p52(E)	2	#8	15'-6"	
p53(E)	2	#6	24'-3"	
s50(E)	68	#5	11'-7"	□
s51(E)	4	#5	12'-3"	□
u50(E)	8	#6	7'-10"	┌
u51(E)	22	#4	5'-2"	└
v50(E)	150	#5	4'-4"	
v51(E)	9	#5	13'-0"	
v53(E)	9	#5	14'-8"	
Structure Excavation		Cu. Yd.	265.2	
Concrete Structures		Cu. Yd.	34.1	
Reinforcement Bars, Epoxy Coated		Pound	4,170	
Furnishing Steel Piles, HP10x42		Foot	608	
Driving Piles		Foot	608	
Test Pile Steel, HP10x42		Each	1	
Concrete Encasement		Cu. Yd.	6.0	

PILE DATA

Type: Steel HP 10x42
Nominal Required Bearing: 270 K
Factored Resistance Available: 135 K
Est. Length: 38 feet
No. Production Piles: 16
No. Test Piles: 1



PLAN



DESIGNED	LLV
CHECKED	PJL
DRAWN	MGM
CHECKED	LLV

FIELD CUTTING DIAGRAM

Order v51(E) and v53(E) full length. Cut as shown and use remainder of bars in opposite face.

BARS s50(E) & s51(E)

STS | AECOM

111 NE Jefferson Avenue
Peoria, IL 61602
T 309.676.8464
Fax 309.676.6445
IL Design Firm Reg.
No. 184-001518
www.stsconsultants.com

SHEET NO. 17
OF
33 SHEETS

F.A.U. RTE.	SECTION	COUNTY	TOTAL SHEETS	SHEET NO.
6578	(1-R)RS(1-VC)BR	PEORIA	142	77
STRUCTURE NO. 072-0201		CONTRACT NO. 68092		
FED. ROAD DIST. NO. _		ILLINOIS FED. AID PROJECT		

**WEST ABUTMENT DETAILS
AIRPORT ROAD OVER U.P.R.R.
AND KICKAPOO CREEK TRIBUTARY
STATION 45+42.00**

Notes:
1. For Bar Splicer Details, see Sht. 23 of 33.
2. For Pile Details and Concrete Encasement Details, see Sht. 22 of 33.