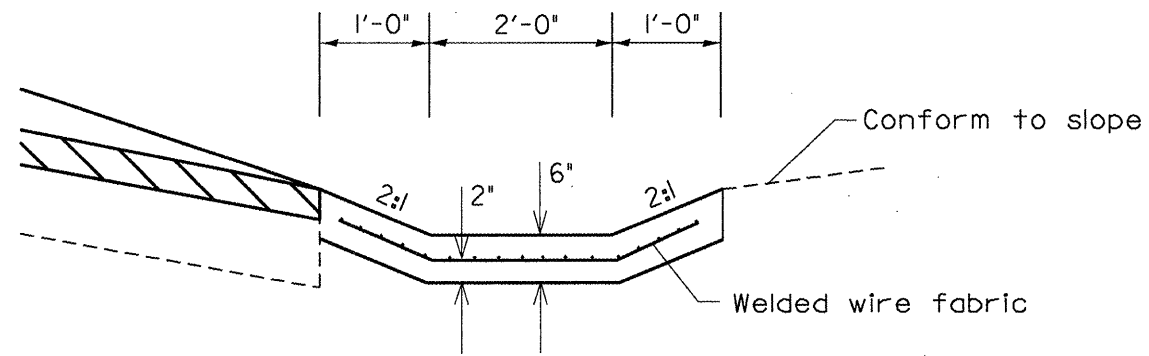
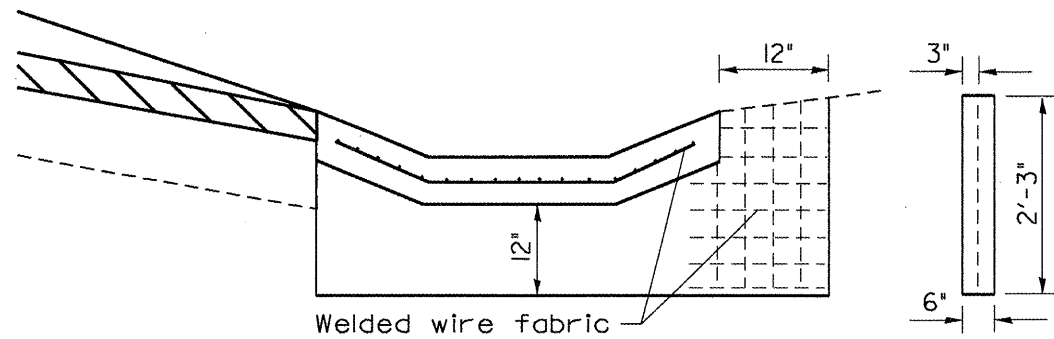


PAVED DITCH DETAIL
 Rt. Sta. 227+00 to 227+16
 Rt. Sta. 227+58 to 227+78



NOTE:
 ANCHOR WALL AND WIRE MESH SHALL BE INCLUDED IN THE CONTRACT UNIT PRICE FOR PAVED DITCH AND NO EXTRA COMPENSATION WILL BE ALLOWED.

WELDED WIRE FABRIC SHALL CONFORM TO ARTICLES 1006.10(c)(1) AND SHALL NOT BE LESS THAN 58 POUNDS PER 100 SQ FEET.



ANCHOR WALL

FILE NAME =
 c:\projects\harmhwy\m130.dgn

USER NAME = everacl

| | |
|------------|-----------|
| DESIGNED - | REVISED - |
| DRAWN - | REVISED - |
| CHECKED - | REVISED - |
| DATE - | REVISED - |

PLOT SCALE = 100.0000 ' / IN.
 PLOT DATE = 10/20/2008

STATE OF ILLINOIS
 DEPARTMENT OF TRANSPORTATION

Paved Ditch Detail

SCALE: SHEET NO. OF SHEETS STA. TO STA.

| F.A.U. RTE. | SECTION | COUNTY | TOTAL SHEETS | SHEET NO. |
|---|-------------------|--------|--------------------|-----------|
| 6578 | (1-RJRS, 1-VCIBR) | PEORIA | 192 | 102 |
| FED. ROAD DIST. NO. ILLINOIS FED. AID PROJECT | | | CONTRACT NO. 68092 | |