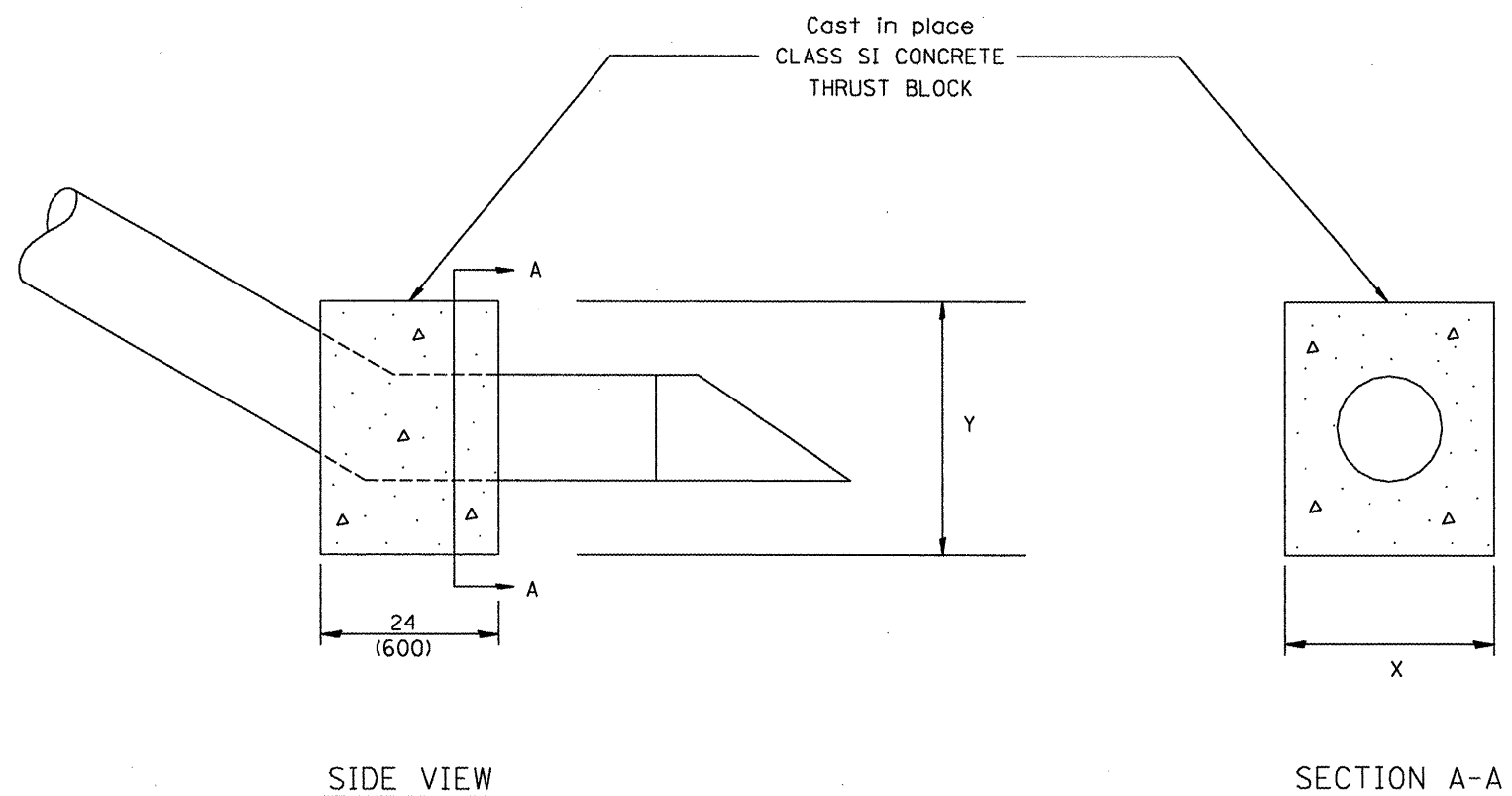


CONCRETE THRUST BLOCK BILL OF MATERIALS

PIPE SIZE	X	Y	CLASS SI CONCRETE cu. yd. (m ³)
12(300)	24(600)	24(600)	0.2(0.2)
15(375)	27(675)	27(675)	0.3(0.2)
18(450)	30(750)	30(750)	0.3(0.2)
24(600)	36(900)	36(900)	0.4(0.3)
30(750)	3'-6" (1.07m)	3'-6" (1.07m)	0.8(0.6)



The contract unit price each for CONCRETE THRUST BLOCK shall include the cost of excavation, CLASS SI CONCRETE and compacted backfill.

QUANTITIES	
CALC. BY: _____	DATE: _____
CHECKED BY: _____	DATE: _____
QUANTITY CALCULATIONS ARE ON FILE AT THE DISTRICT 4 OFFICE; BUREAU OF PROJECT IMPLEMENTATION; DOCUMENTATION SECTION	

All dimensions are in inches (millimeters) unless otherwise noted.

01-01-97	RENUM. J-10.04, NEW REVISION BOX, ADDED QUANTITY	T.P.				STATE OF ILLINOIS DEPARTMENT OF TRANSPORTATION	CONCRETE THRUST BLOCKS	F.A.U. RTE.	SECTION	COUNTY	TOTAL SHEETS	NO.
10-16-06	REVISED TO 2007 SPEC.	M.A.						6578	(1-R)RS, (1-VC)BR	PEORIA	142	136
											CONTRACT NO. 68092	
								NOT TO SCALE	CADD STD. 609001-D4		FED. ROAD DIST. NO.	ILLINOIS FED. AID PROJECT