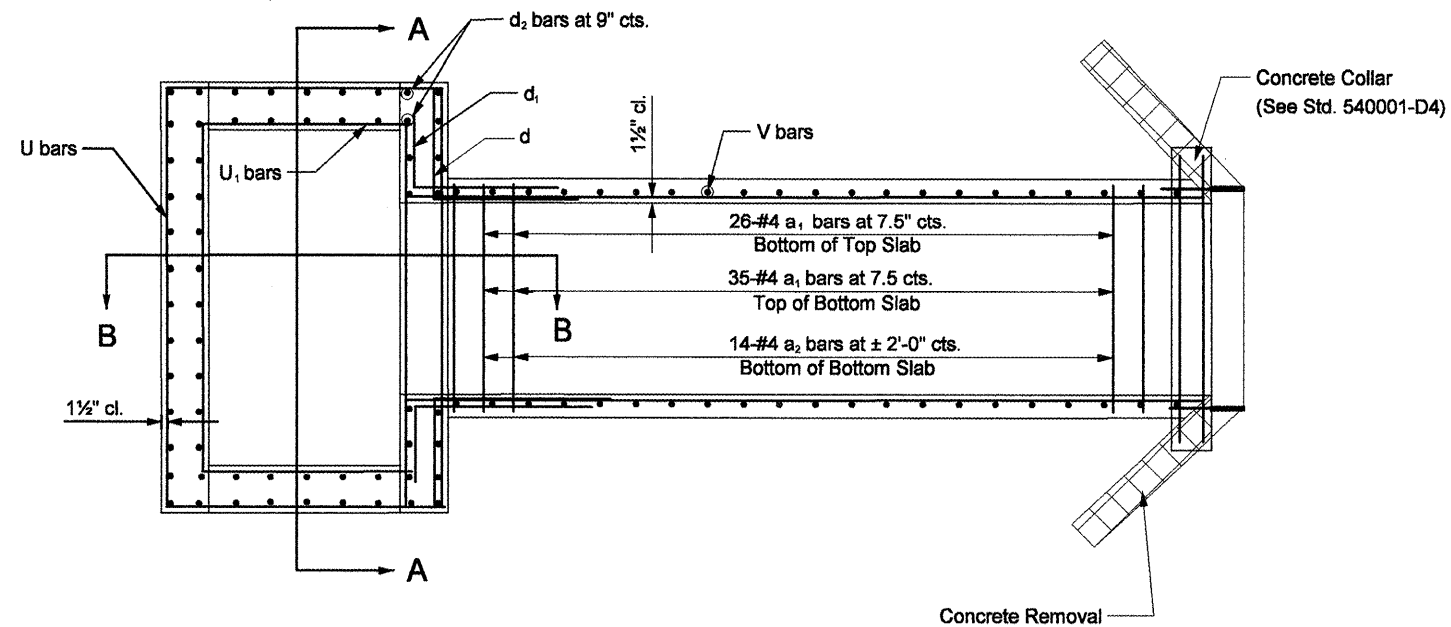
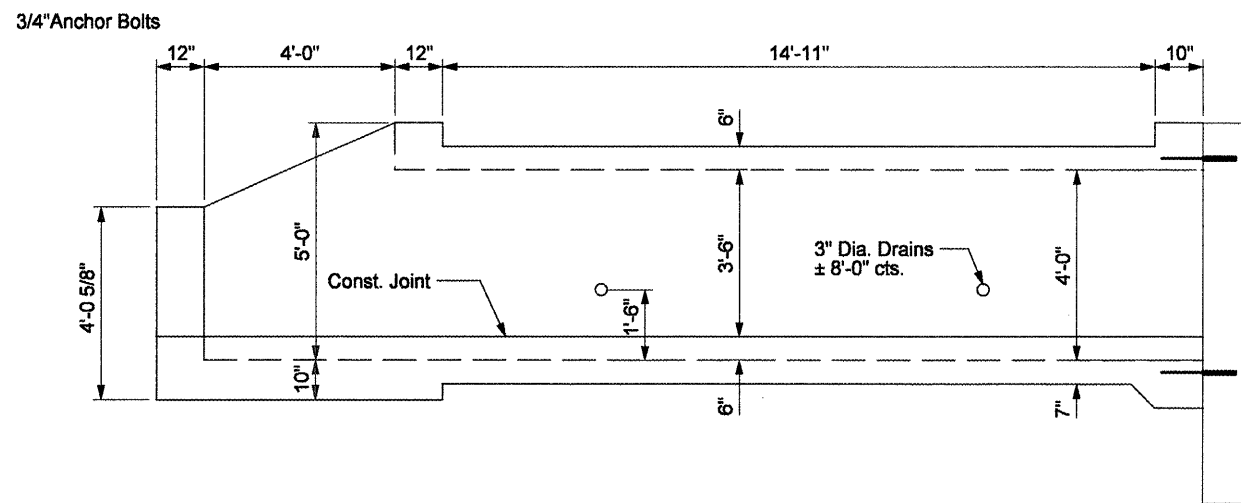


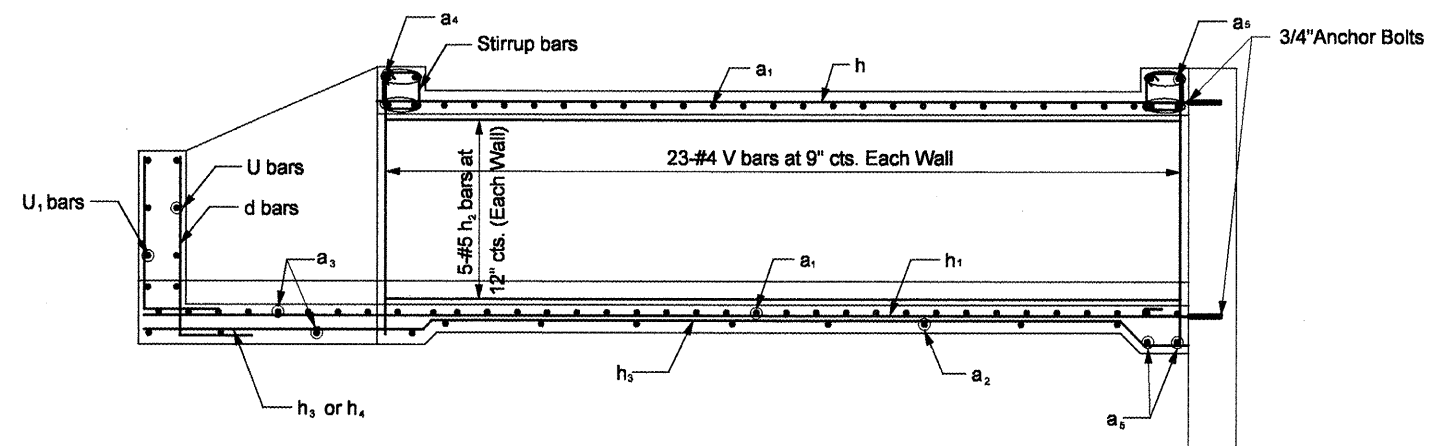
PLAN SHOWING OUTLINES
RT. STA. 537+68.90



PLAN SHOWING REINFORCEMENT
RT. STA. 537+68.90



ELEVATION
RT. STA. 537+68.90



ELEVATION SHOWING REINFORCEMENT
RT. STA. 537+68.90

FILE NAME =
cr\projects\us2411am\culvert detail.dgn

USER NAME = crespole
PLOT SCALE = 4.0183' / IN.
PLOT DATE = 10/14/2008

DESIGNED -	---	REVISED -	---
DRAWN -	---	REVISED -	---
CHECKED -	---	REVISED -	---
DATE -	---	REVISED -	---

STATE OF ILLINOIS
DEPARTMENT OF TRANSPORTATION

CULVERT EXTENSION DETAILS

SCALE: _____ SHEET NO. _____ OF _____ SHEETS STA. _____ TO STA. _____

F.A.P. RTE.	SECTION	COUNTY	TOTAL SHEETS	SHEET NO.
317	(137.102)_BS-4101RS-3	FULTON	56	26
CONTRACT NO. 68337				
FED. ROAD DIST. NO. _____ ILLINOIS FED. AID PROJECT				