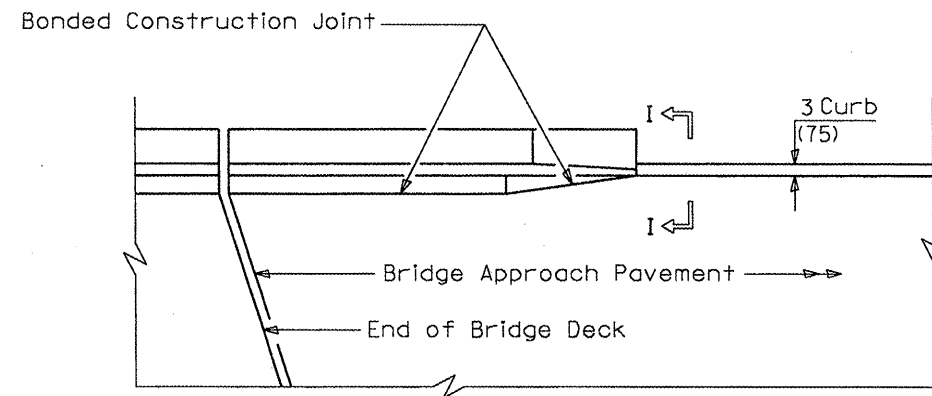
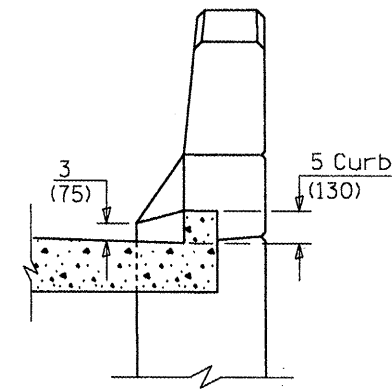


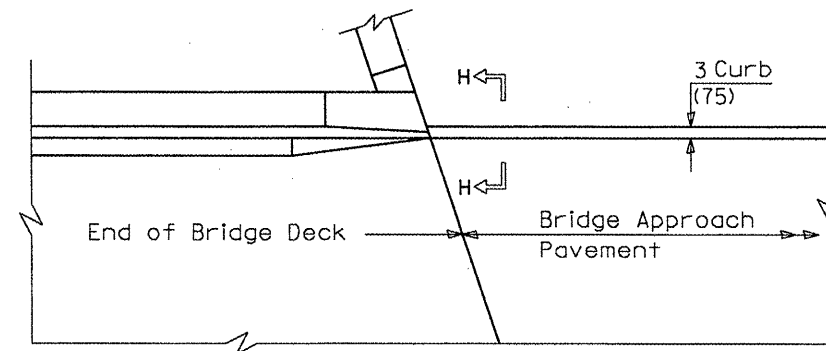
F.A.P. RTE.	SECTION	COUNTY	TOTAL SHEETS	SHEET NO.
253	68(BR, BR-1)	MARSHALL	97	97
FED. ROAD DIST. NO. 4	ILLINOIS	CONTRACT NO. 68573		



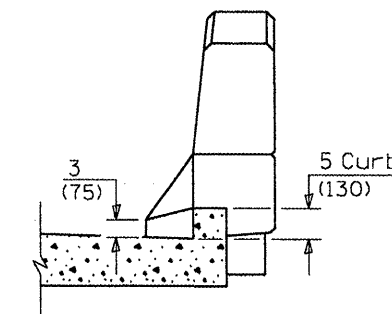
**PARAPET TO CURB TRANSITION  
PILE BENT ABUTMENT**



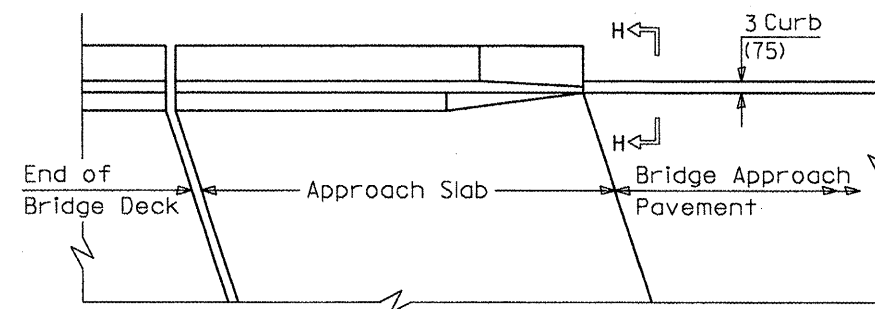
**SECTION I - I**



**PARAPET TO CURB TRANSITION  
INTEGRAL ABUTMENT**



**SECTION H - H**



**PARAPET TO CURB TRANSITION  
VAULTED ABUTMENT**

**BRIDGE APPROACH PAVEMENT**

(Sheet 4 of 4)