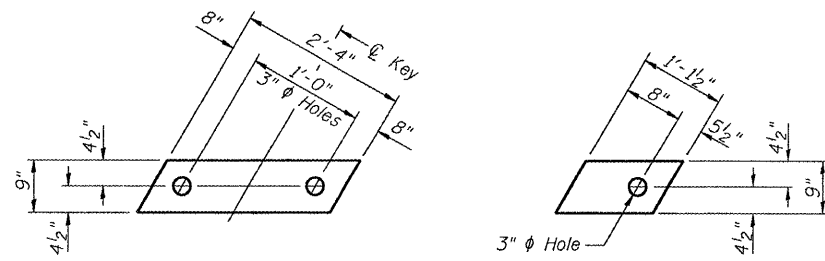


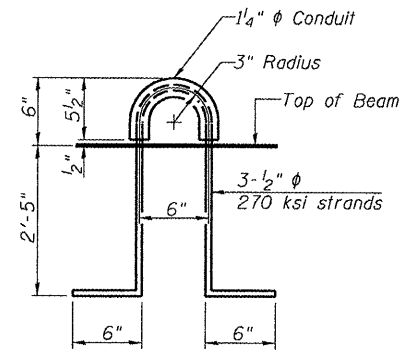
STATE OF ILLINOIS
DEPARTMENT OF TRANSPORTATION



FABRIC BEARING PAD **ADJUSTING BEARING PAD**

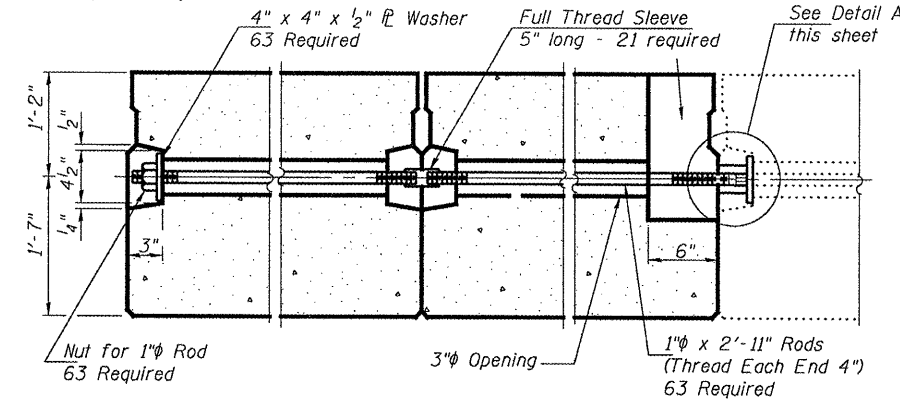
FIXED

Note: Omit holes when using expansion bearings.

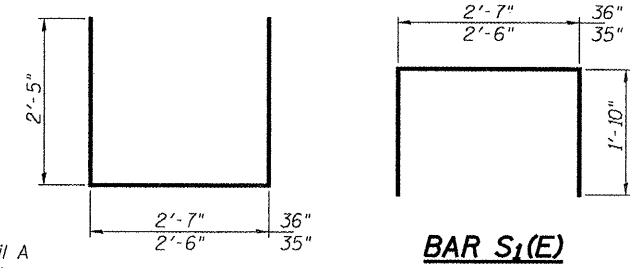


LIFTING LOOP DETAIL

6" x 6" x 16 1/2" Blockout to be filled with non-shrink grout as specified in the special provision Concrete Deck Beams (Min. compressive strength at 7 days = 6,000 psi) after beams have been installed. Cost shall be included in the cost of Precast Prestressed Concrete Deck Beams (33" Depth), Beam 6 and 7 Span 3 only.

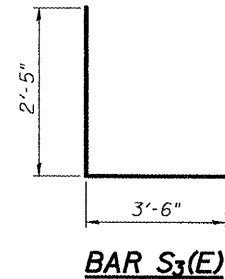


TYPICAL TRANSVERSE TIE ASSEMBLY

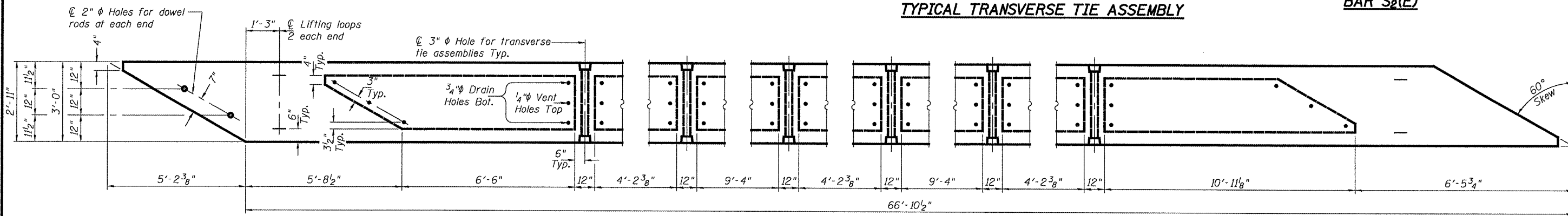


BAR S1(E)

BAR S2(E)



BAR S3(E)



PLAN VIEW

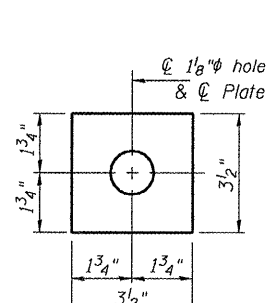
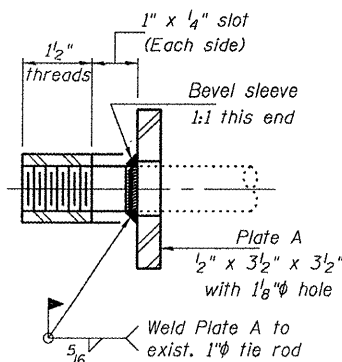
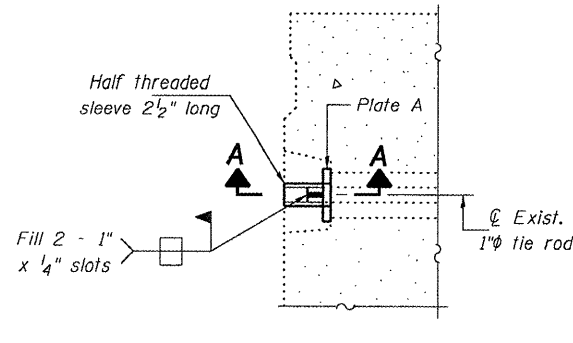


PLATE A
(15 Required)



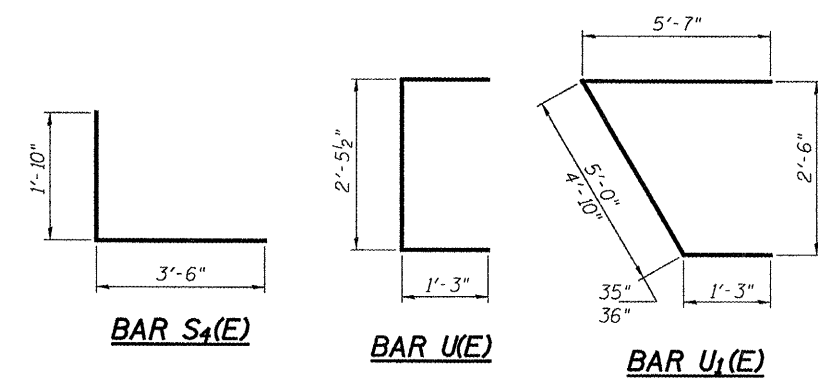
SECTION A-A
(15 Required)



DETAIL A

NOTES

- Prestressing steel shall be uncoated high strength, low relaxation 7-wire strand, Grade 270. The nominal diameter shall be 1/2" and the nominal cross-sectional area shall be 0.153 sq. in.
- The 1" rods in the transverse tie assembly shall be tightened to a snug fit and the threads set. Pockets on exterior faces of bridge shall be filled with grout after transverse tie assembly is in place.
- Reinforcement bars shall conform to ASTM A 706, Grade 60. (See Special Provisions).
- Two 1/8" fabric adjusting shims of the dimensions shown shall be provided for each bearing pad location.
- A minimum 2 1/2" lifting pin shall be used to engage the lifting loops during handling.
- Corrosion Inhibitor, per Article 1020.05(b)(12) and 1021.06 of the Standard Specifications, shall be used in the concrete for precast prestressed concrete deck beams.
- Compressive strength of prestressed concrete, f'c, shall be 6000 psi.
- Compressive strength of prestressed concrete at release, f'ci, shall be 5000 psi.



BAR S4(E)

BAR U(E)

BAR U1(E)

BILL OF MATERIAL

| | | |
|---|---------|-------|
| Precast Prestressed Conc. Deck Bms. (33" depth) | Sq. Ft. | 2,402 |
|---|---------|-------|

BEAM DETAILS
SN 036-0028

| | | | | | |
|------------------|---------------------|----------|-----------|--------------------|-----------|
| SHEET NO. 3 | F.A. RTE. | SECTION | COUNTY | TOTAL SHEETS | SHEET NO. |
| | 45 | (6BR-1)I | Henderson | 14 | 12 |
| 5 SHEETS | FED. ROAD DIST. NO. | | ILLINOIS | CONTRACT NO. 68849 | |
| FED. AID PROJECT | | | | | |

| | |
|----------|------------------|
| DESIGNED | A.T.H. |
| CHECKED | V.H.V. |
| DRAWN | Drew Christopher |
| CHECKED | A.T.H. V.H.V. |

| | |
|------------------|-------------------|
| October 30, 2008 | |
| EXAMINED | Carl Jones |
| PASSED | Ralph E. Anderson |

PD-3336-RD 5-16-08