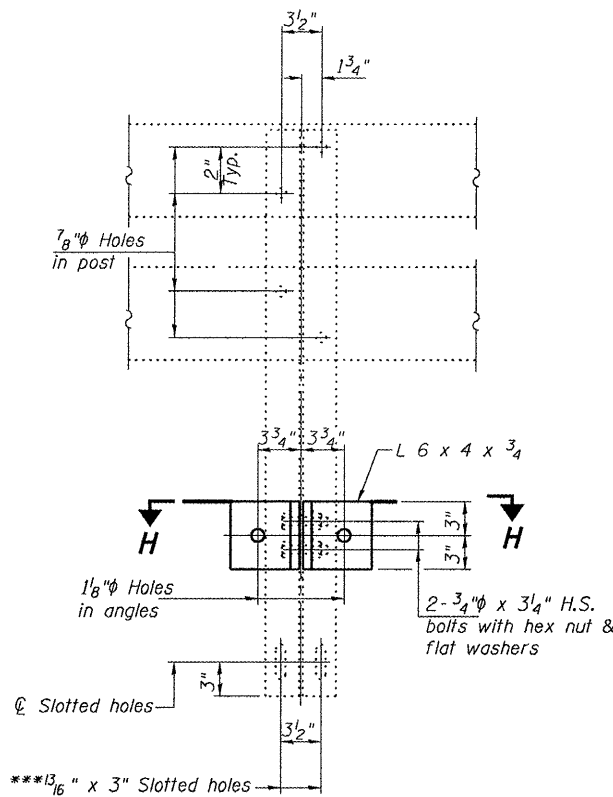
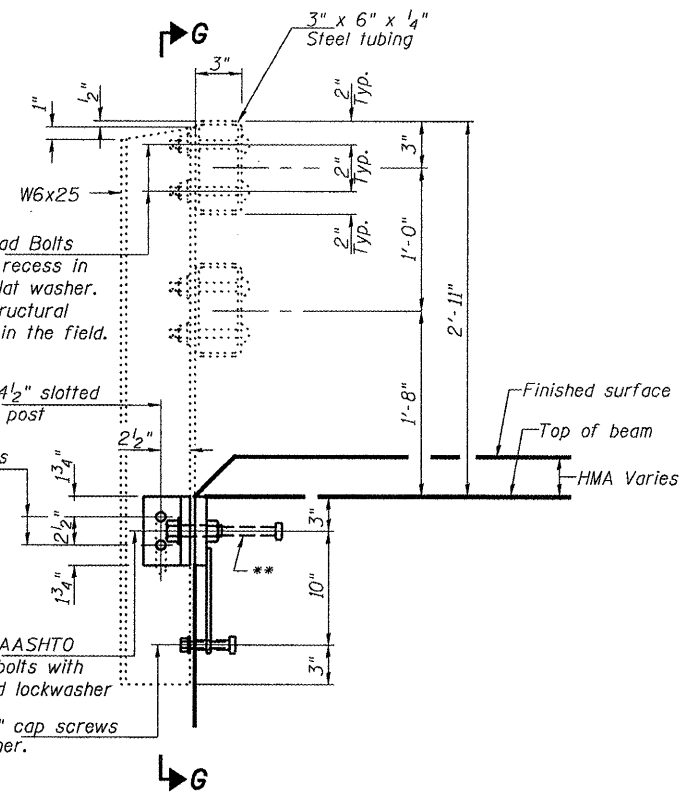


STATE OF ILLINOIS
DEPARTMENT OF TRANSPORTATION



SECTION G-G

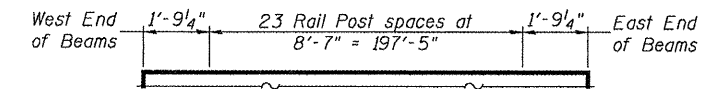
***Extend slots in existing posts as required.



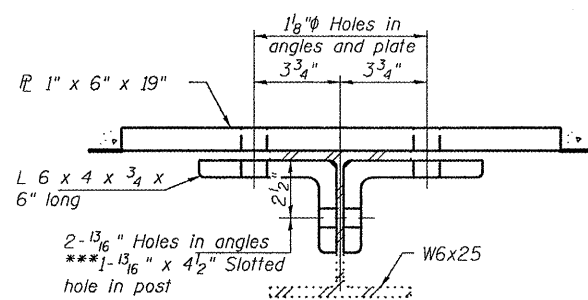
SECTION AT RAIL POST
See sheet 3 of 5 for rail post spacing.

Notes:
All field drilled holes shall be coated with an approved zinc rich paint before erection.
Steel rail elements shall be galvanized according to Article 509.05 of the Standard Specifications.

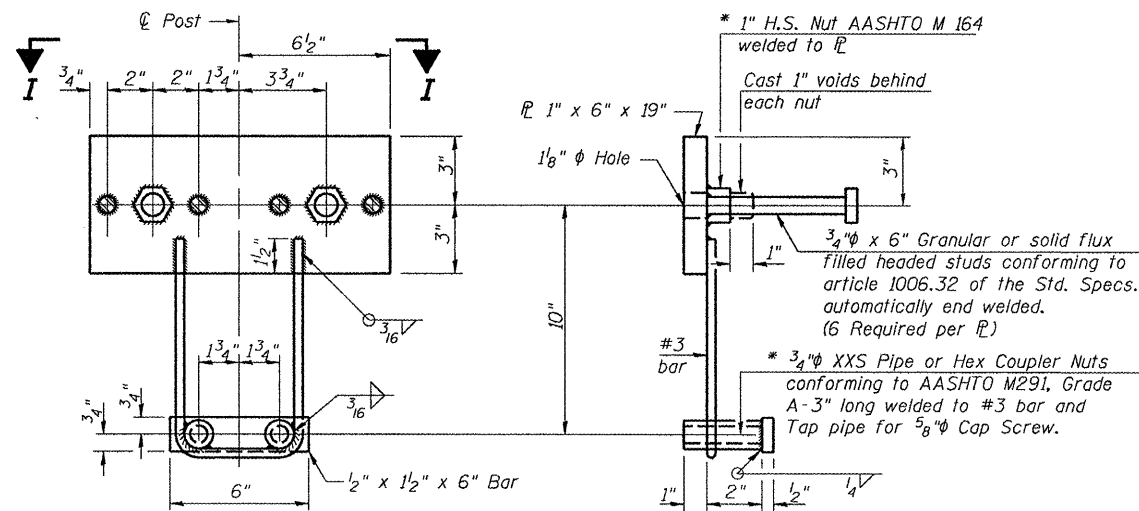
** The studs of the anchor devices shall be placed below the top reinforcement bars and the outermost longitudinal reinforcement bar shall be placed directly above the studs of the rail post anchor device.



RAIL POST SPACING

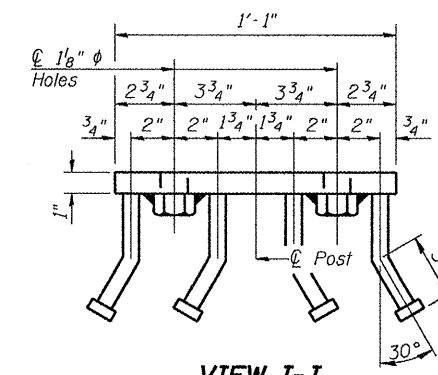


SECTION H-H



ANCHOR DEVICE

* Threaded areas shall be plugged or blocked off during casting of beam. Galvanized after fabrication.



VIEW I-I

DESIGNED	A.T.H.
CHECKED	V.H.V.
DRAWN	Drew Christopher
CHECKED	A.T.H. V.H.V.

October 30, 2008
EXAMINED <i>Carl Perry</i> ENGINEER OF STRUCTURAL SERVICES
PASSED <i>Ralph E. Anderson</i> ENGINEER OF BRIDGES AND STRUCTURES

RAIL DETAILS
SN 036-0028

SHEET NO. 5	F.A. RTE.	SECTION	COUNTY	TOTAL SHEETS	SHEET NO.
	45	(6BR-1)I	Henderson	14	14
5 SHEETS	FED. ROAD DIST. NO.		ILLINOIS	FED. AID PROJECT	
			CONTRACT NO. 68849		