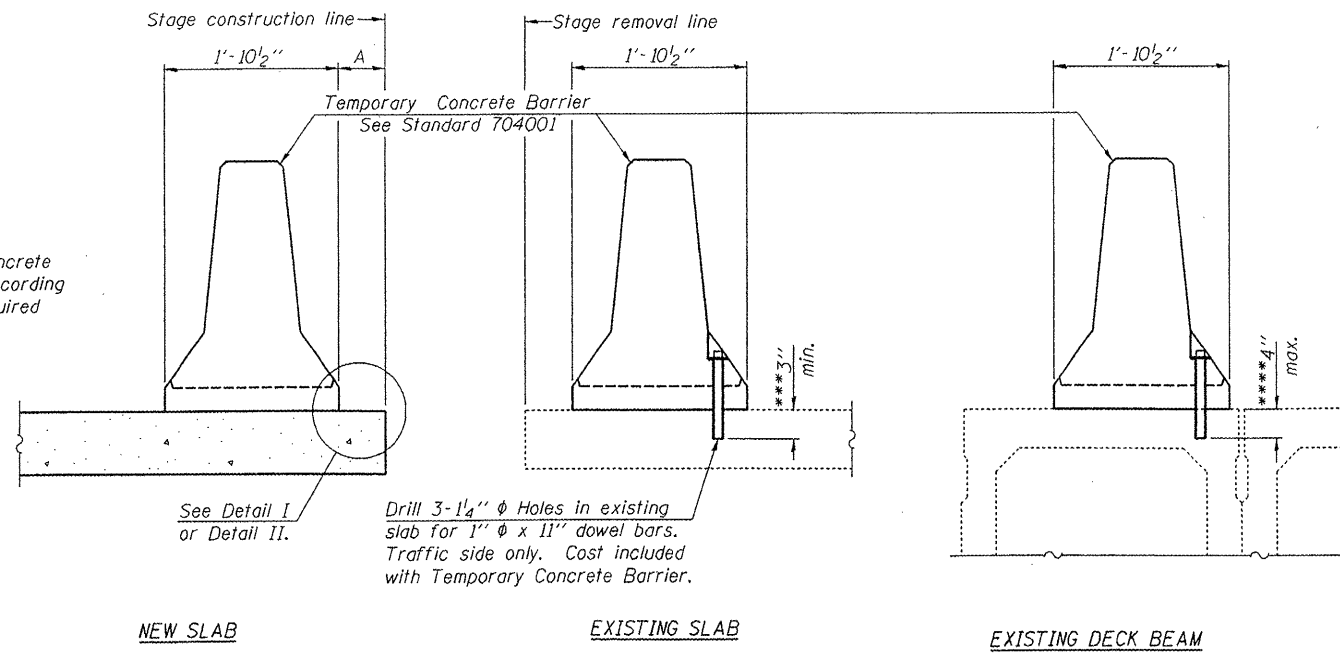


ROUTE NO.	SECTION	COUNTY	SHEET NO.	SHEET TOTAL	SHEET NO. 3 10 SHEETS
FAP 323	145BR-1	DOUGLAS	39	27	
FED. ROAD DIST. NO. 7	ILLINOIS	FED. AID PROJECT			
Contract #70393					

When "A" is 3'-6" or less, the temporary concrete barrier shall be anchored to the new slab according to Detail I or Detail II. No anchorage is required when "A" is greater than 3'-6".



SECTIONS THRU SLAB OR DECK BEAM

NOTES

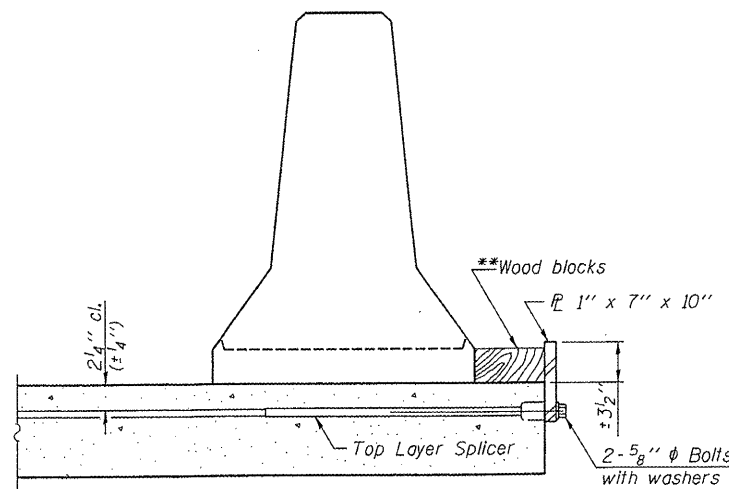
Detail I - With Bar Splicer or Couplers:
Connect one (1) 1"x7"x10" steel \bar{P} to the top layer of couplers with 2-5/8" ϕ bolts screwed to coupler at approximate \bar{C} of each barrier panel.

Detail II - With Extended Reinforcement Bars:
Connect one (1) 1"x7"x10" steel \bar{P} to the concrete slab or concrete wearing surface with 2-5/8" ϕ Expansion Anchors or cast in place inserts spaced between the top layer of reinforcement at approximate \bar{C} of each barrier panel.

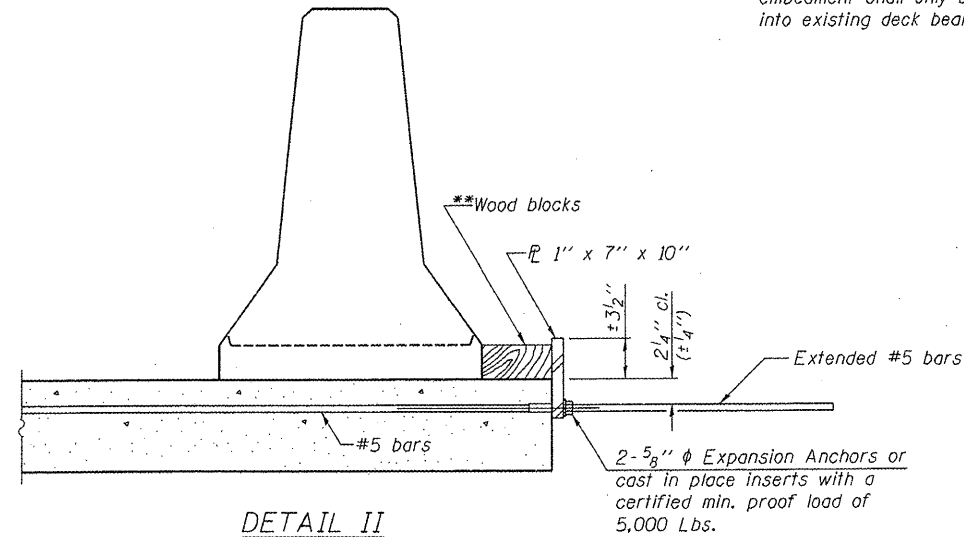
Cost of anchorage is included with Temporary Concrete Barrier. The 1" x 7" x 10" plate shall not be removed until stage II construction forms and all reinforcement bars are in place and the concrete is ready to be placed.

*** Dimension shown is minimum required embedment into concrete. If hot-mix asphalt wearing surface is present, minimum embedment shall be in addition to wearing surface depth.

**** If existing deck beam is to remain in place after stage construction, embedment shall only be into wearing surface and not into existing deck beam concrete.

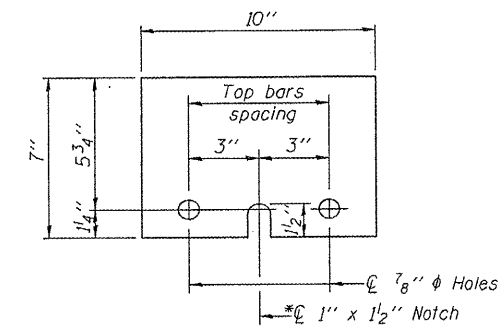


DETAIL I



DETAIL II

**Wood blocks may be omitted when required to provide minimum stage traffic lane width. When the wood blocks are omitted, the concrete barrier shall be in direct contact with the steel retainer plate.



STEEL RETAINER \bar{P} 1" x 7" x 10"

* Required only with Detail II

PLOT DATE = 10/6/2008
FILE NAME = c:\projects\145BR-1\145BR-1.dwg
PLOT SCALE = 0.25000 1" = 10'
USER NAME = p101010

ILLINOIS DEPARTMENT OF TRANSPORTATION			
SHEET TITLE TEMPORARY CONCRETE BARRIER FOR STAGE CONSTRUCTION			
PROJECT US 36 OVER HACKETT BRANCH FAP RTE 323 SECTION 145 BR-1 DOUGLAS COUNTY STATION 150+50 STRUCTURE NUMBER 021-2026	PROJECT NO. 03020	SCALE DATE 06/05/07	DRAWN BY TFG
CHECKED BY CME/KS/MCB		DRAWING NO. 3	
COOMBE-BLOXDORF P.C. Engineers / Land Surveyors Springfield, Illinois Design Firm License No. 184-002703			OF 10 SHTS