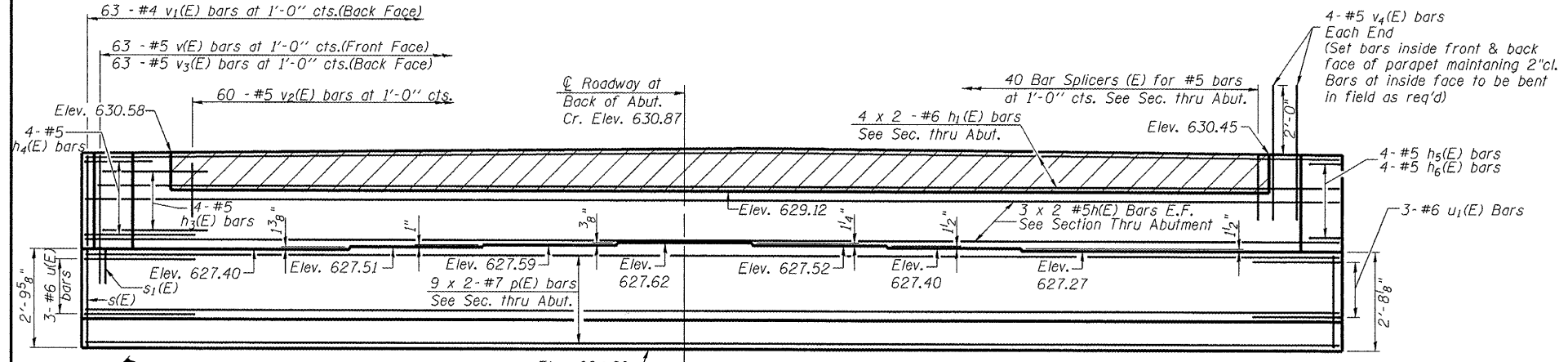
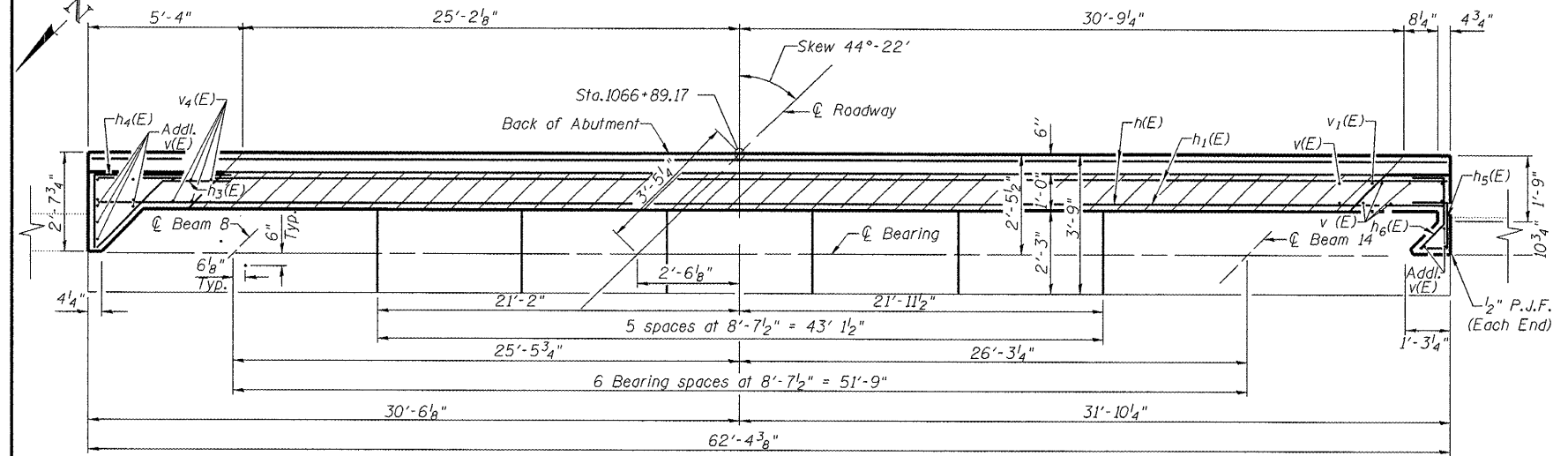


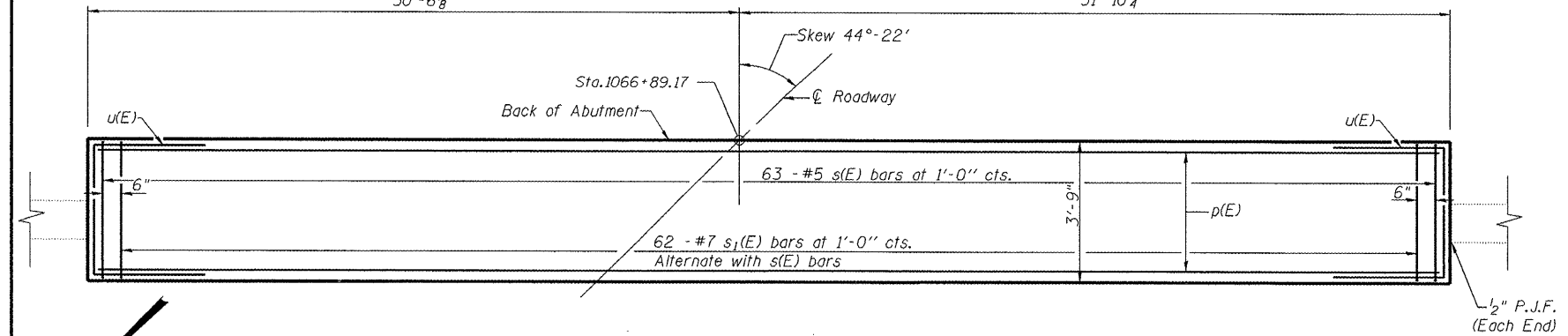
Contract #72C32



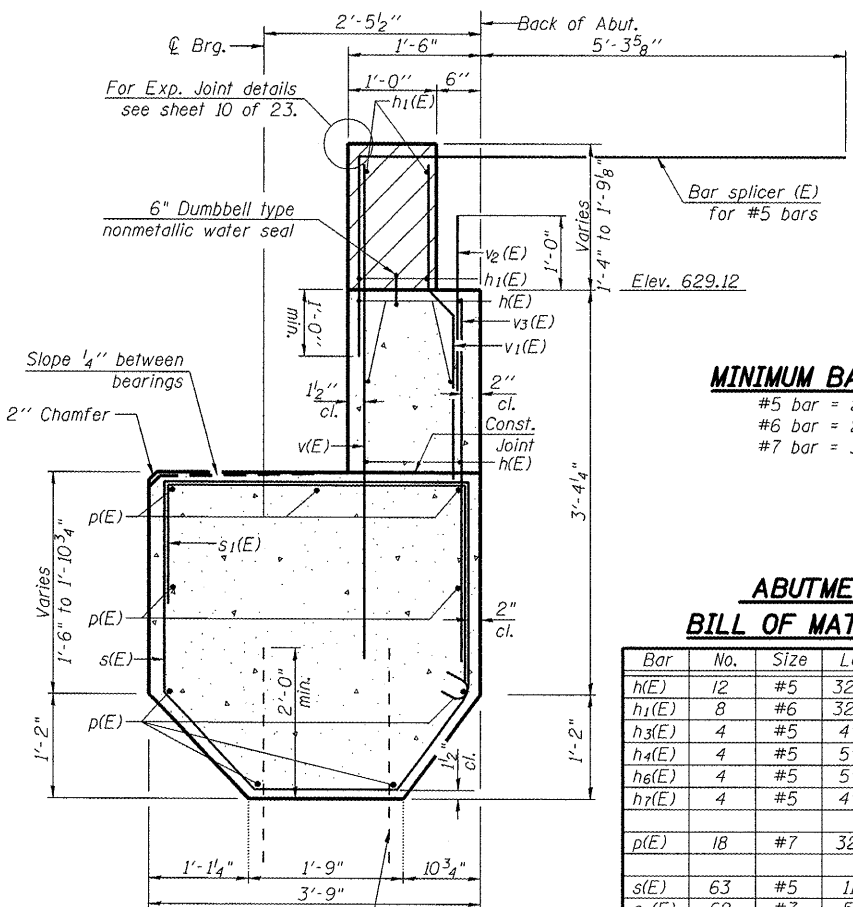
ELEVATION



TOP VIEW



PLAN-CAP



Existing reinforcement shall be cleaned and incorporated into the new construction. Cost included with Concrete Removal.

SEC. THRU ABUT.

FOR INFORMATION ONLY

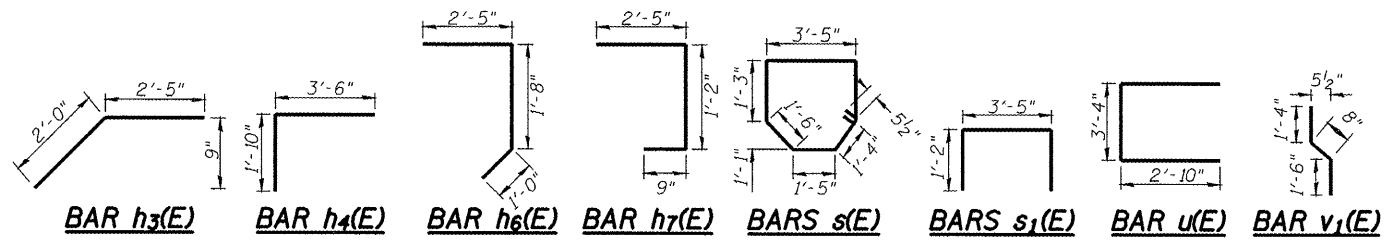
MINIMUM BAR LAP

- #5 bar = 2'-5"
- #6 bar = 2'-10"
- #7 bar = 3'-10"

ABUTMENT BILL OF MATERIAL

Bar	No.	Size	Length	Shape
h(E)	12	#5	32'-7"	—
h1(E)	8	#6	32'-10"	—
h3(E)	4	#5	4'-5"	—
h4(E)	4	#5	5'-4"	—
h6(E)	4	#5	5'-1"	—
h7(E)	4	#5	4'-4"	—
p(E)	18	#7	32'-11"	—
s(E)	63	#5	11'-1"	—
s1(E)	62	#7	5'-9"	—
u(E)	6	#6	9'-0"	—
v(E)	70	#5	5'-4"	—
v1(E)	63	#4	3'-6"	—
v2(E)	60	#5	2'-0"	—
v3(E)	63	#5	3'-1"	—
v4(E)	8	#5	4'-0"	—
▲ Structure Excavation		Cu. Yd.	42	
▲ Concrete Structures		Cu. Yd.	35	
▲ Reinforcement Bars, Epoxy Coated		Pound	4530	
▲ Bar Splicers		Each	40	
▲ Concrete Sealer		Sq. Ft.	570	

For details of Bar Splicers, see sheet 13 of 23. Bars indicated thus 9x2-#7 etc. indicates 9 lines of bars with 2 lengths per line. ▲ For Information Only



Notes:
 Hatched area to be poured after superstructure false work has been removed. Quantity of concrete included with Concrete Superstructure.
 Space reinforcement in cap to miss anchor bolts. Pour steps monolithically with cap.
 All exposed corners shall have a 3/4" chamfer (typ.)
 The bar splicer is to be placed parallel to the approach pavement reinforcement.

ILLINOIS DEPARTMENT OF TRANSPORTATION
SOUTHBOUND SOUTH ABUTMENT DETAILS
I 55 OVER MACOUPIN CREEK
F.A.I. ROUTE 55 - SEC. (68-4)F
MONTGOMERY COUNTY
STATION 1066+03.18
STRUCTURE NO. 068-0038 N.B.
STRUCTURE NO. 068-0039 S.B.
 DATE: 04-08
 REVISED:
 DRAWN BY: MLO
 CHECKED BY: PBB