

**Notes:**

Holes in proposed guide L's and brackets may be field drilled using existing members as a template or shop drilled at the Contractor's discretion.

Details shown for the proposed wire rope and traffic control gate in span 6 are also applicable to span 4 with the exception that the existing guide L's shall be reused as shown on sheet 7 of 25.

Proposed structural steel for the guide L's, brackets, and bumper block assembly shall conform to the requirements of AASHTO M 270, Grade 36.

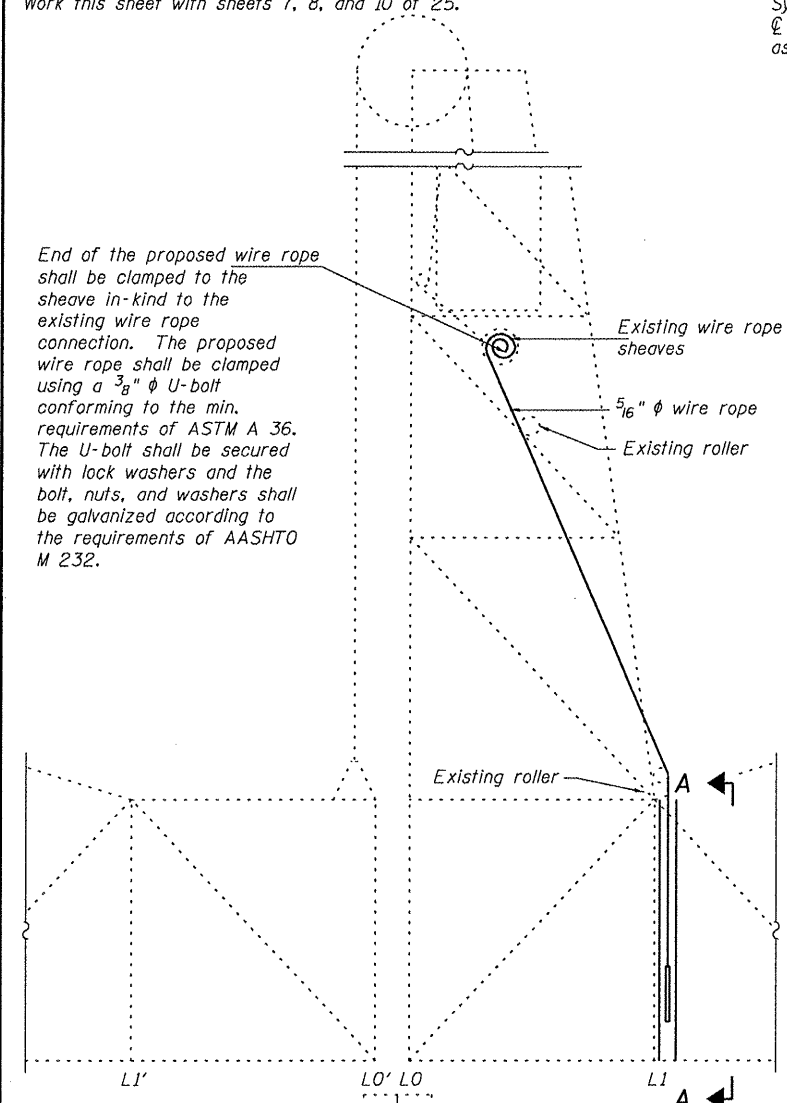
Proposed guide L's and brackets shall be painted in accordance with the paint notes shown on sheet 10 of 25 for the traffic control gate. Bumper block assemblies shall be galvanized in accordance with AASHTO M 111 and M 232.

Existing structural steel adjacent to the connections for the traffic control gate guide L's being removed and reinstalled, or replaced, shall be cleaned and painted in accordance with the Special Provision for Cleaning and Painting Contact Surface Areas of Existing Steel Structures for secondary connections and be included in the cost of Traffic Control Gate Replacement at the location specified.

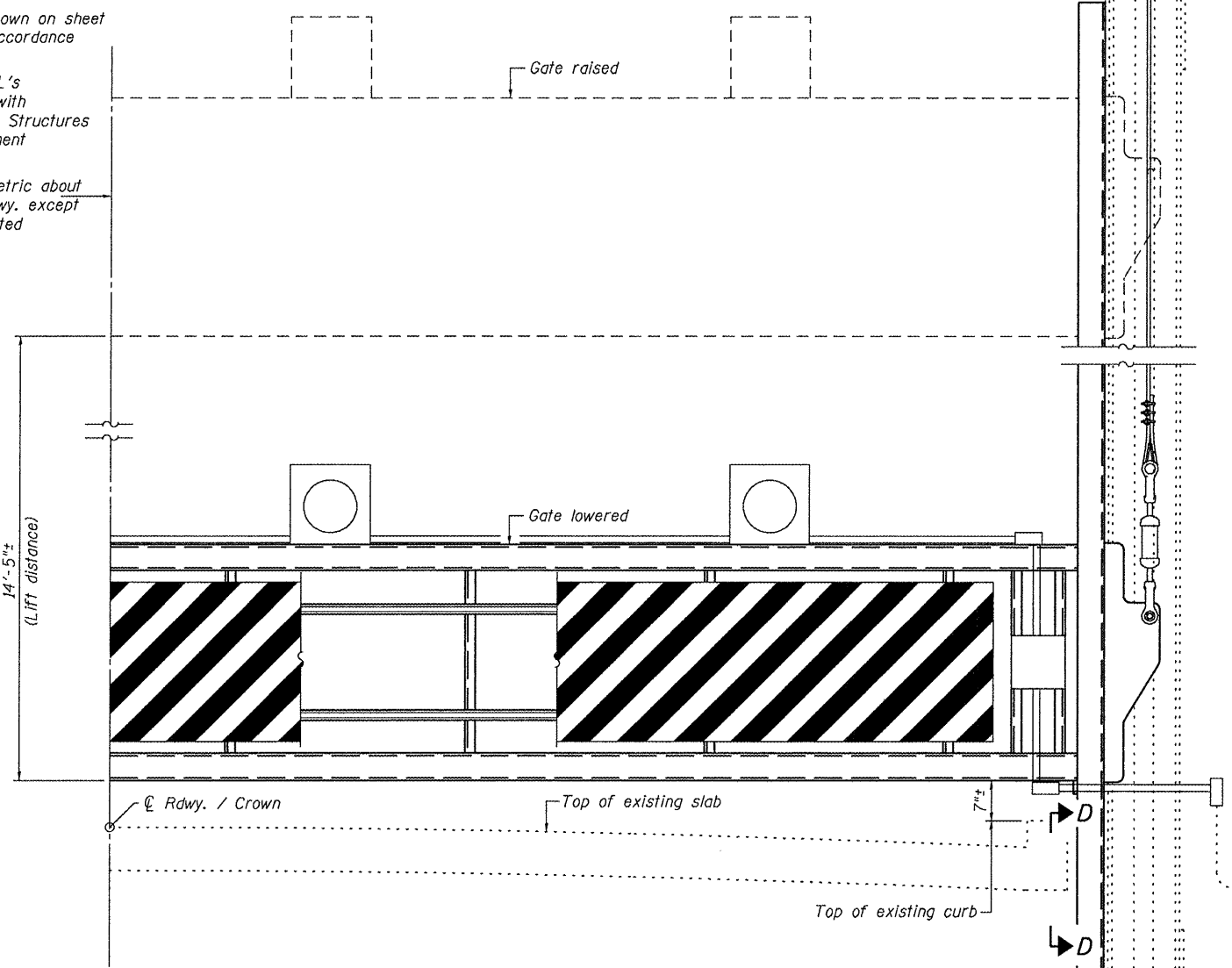
Work this sheet with sheets 7, 8, and 10 of 25.

STATE OF ILLINOIS  
DEPARTMENT OF TRANSPORTATION

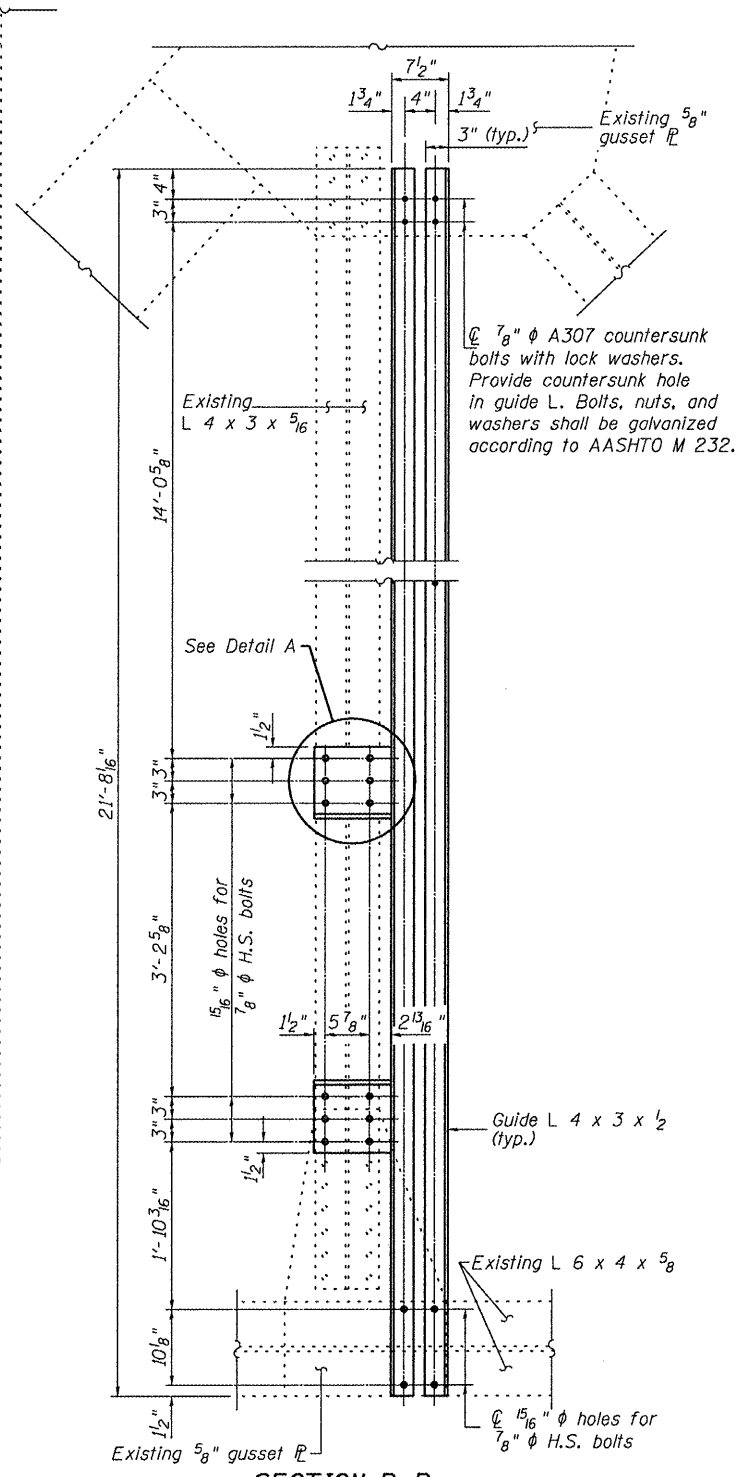
Existing flexible electrical supply whip (north end only)



Symmetric about  
℄ Rdwy. except  
as noted

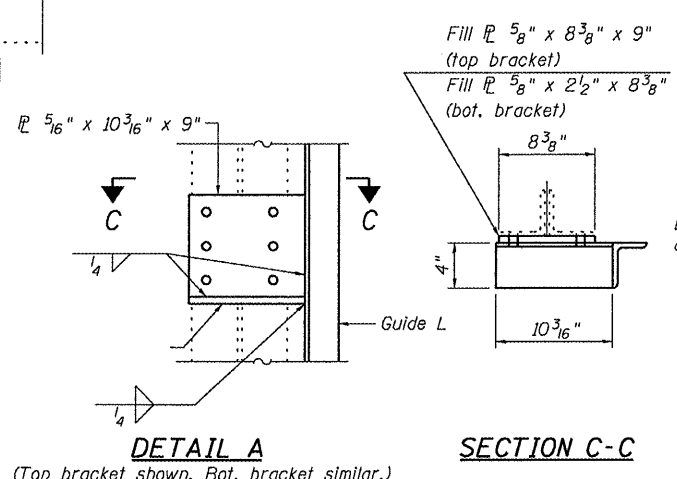


SECTION A-A



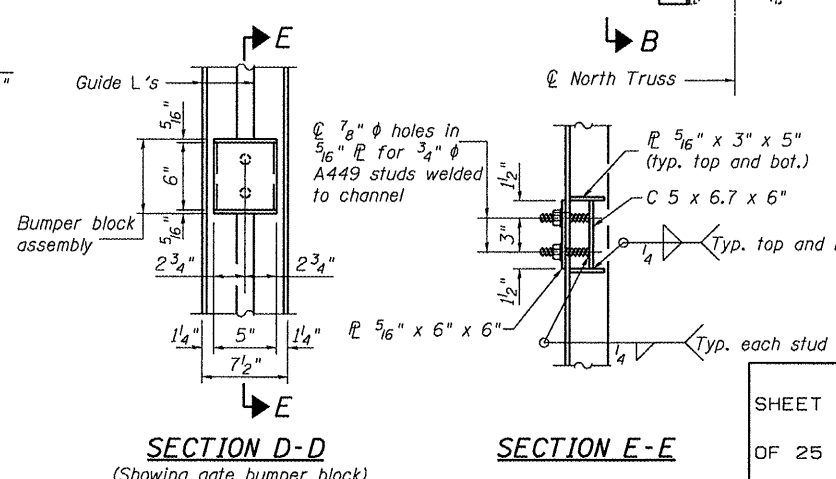
SECTION B-B  
(North truss shown. South truss similar.)  
(See Section D-D for gate bumper block detail.)

TRAFFIC CONTROL GATE  
REPLACEMENT DETAILS  
ILLINOIS ROUTES 100 & 106 OVER  
ILLINOIS RIVER  
PUBLIC WATERS



DETAIL A

SECTION C-C



SECTION D-D  
(Showing gate bumper block)

SECTION E-E

DESIGNED - CEH
CHECKED - SDS
DRAWN - DLH
CHECKED - CEH, SDS

**WHKS & CO.**  
ENGINEERING  
7018 KINGSMILL CT.,  
SPRINGFIELD, IL  
(217) 483-9457  
DESIGN FIRM #184001036

SHEET NO. 9 OF 25 SHEETS	F.A.P. RTE.	SECTION	COUNTY	TOTAL SHEETS	SHEET NO.
	757	20BR-2	SCOTT/PIKE	30	19
	SN 086-0001		CONTRACT NO. 72C39		
FED. ROAD DIST. NO. - ILLINOIS FED. AID PROJECT					