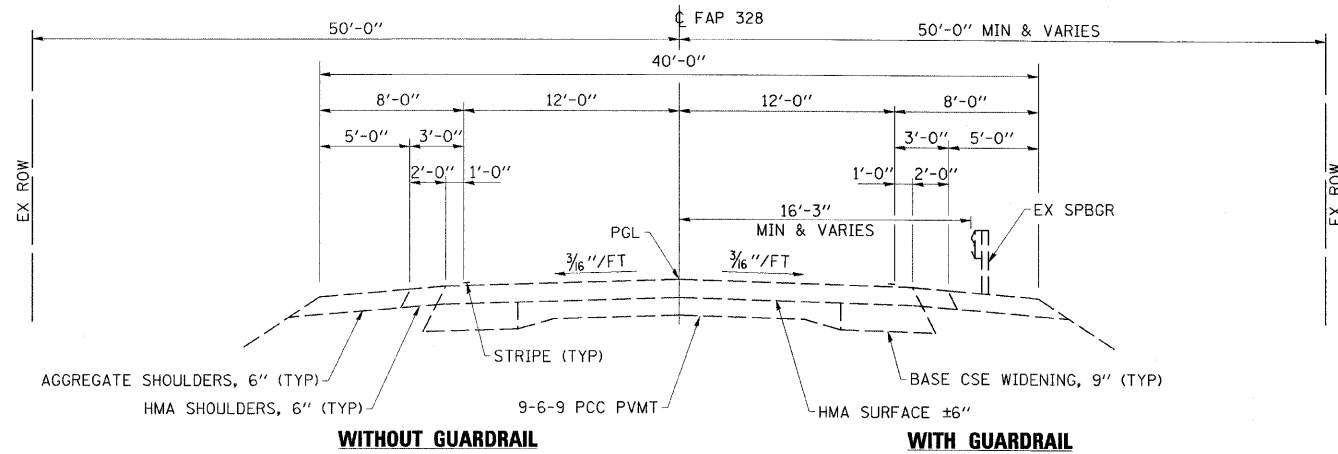
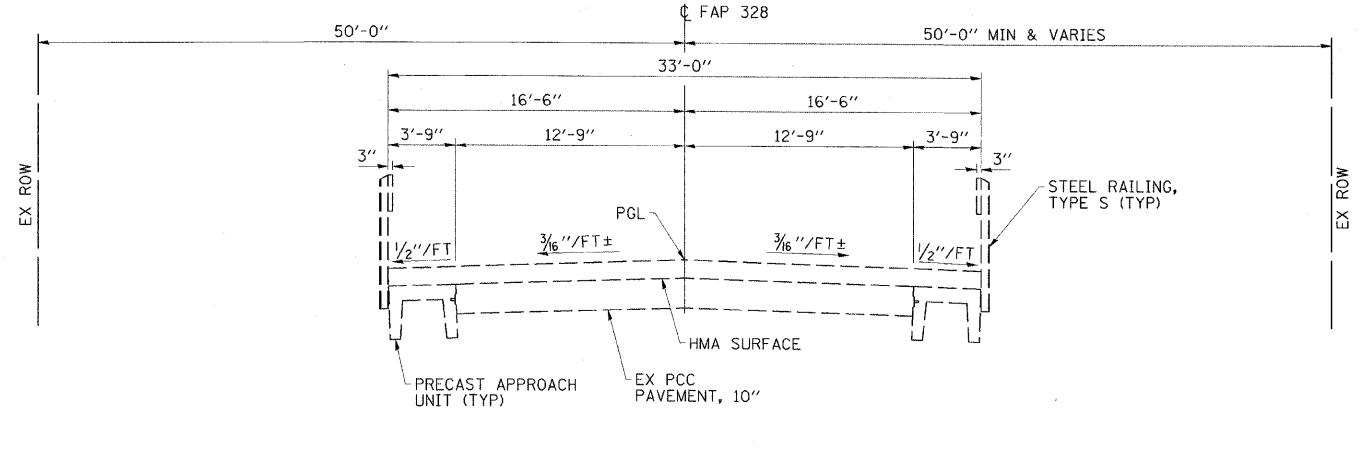




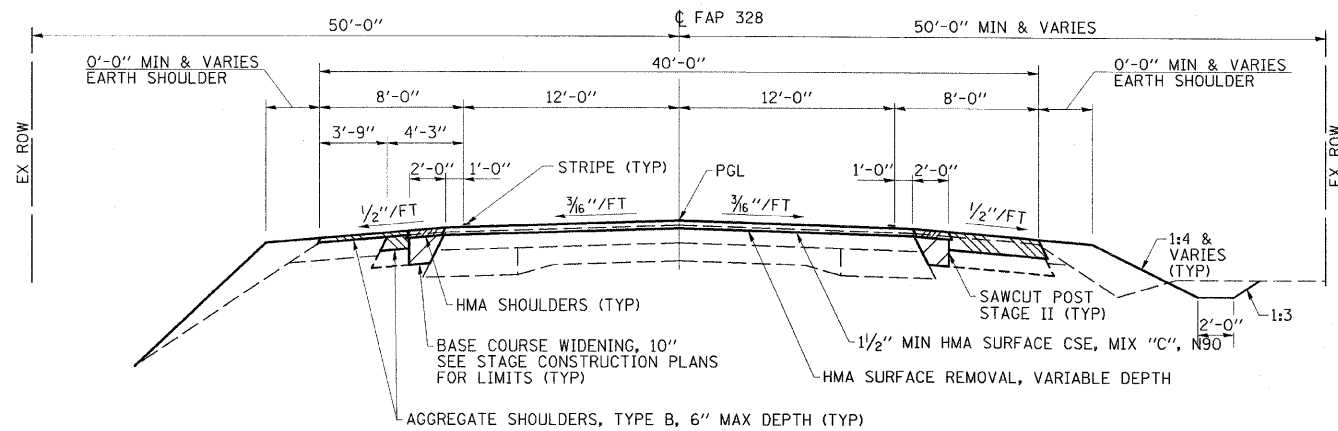
FAP RTE	SECTION	COUNTY	TOTAL SHEETS	SHEET NO.
328	(6BR-1)B-1	CLAY	109	5
STA.		TO STA.		
FED. ROAD DIST. NO.		ILLINOIS FED. AID PROJECT		



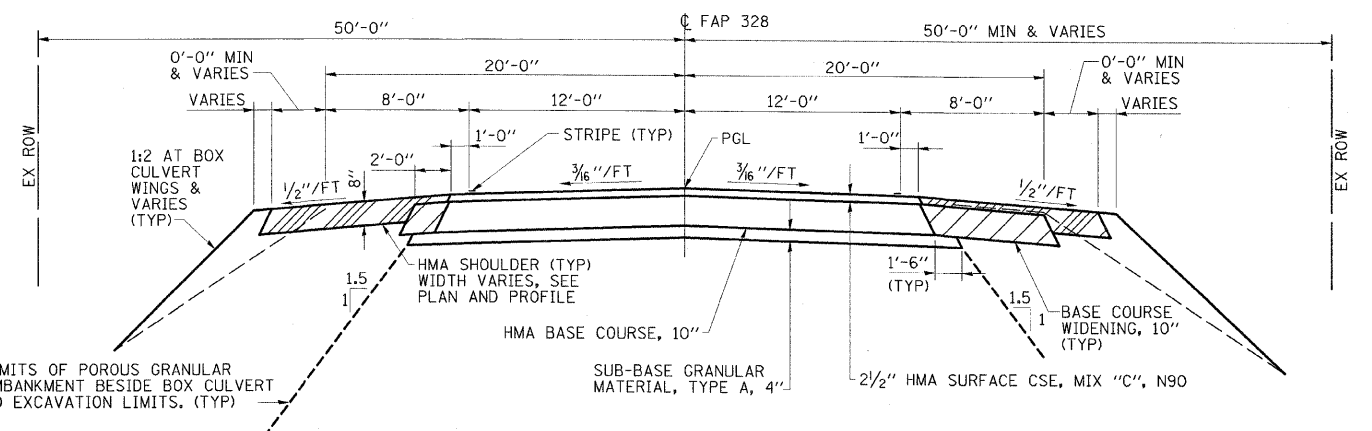
EXISTING TYPICAL ROADWAY SECTION
 STA 1410+50 TO 1416+50
 OMISSION STA 1413+38.01 TO 1414+08.17



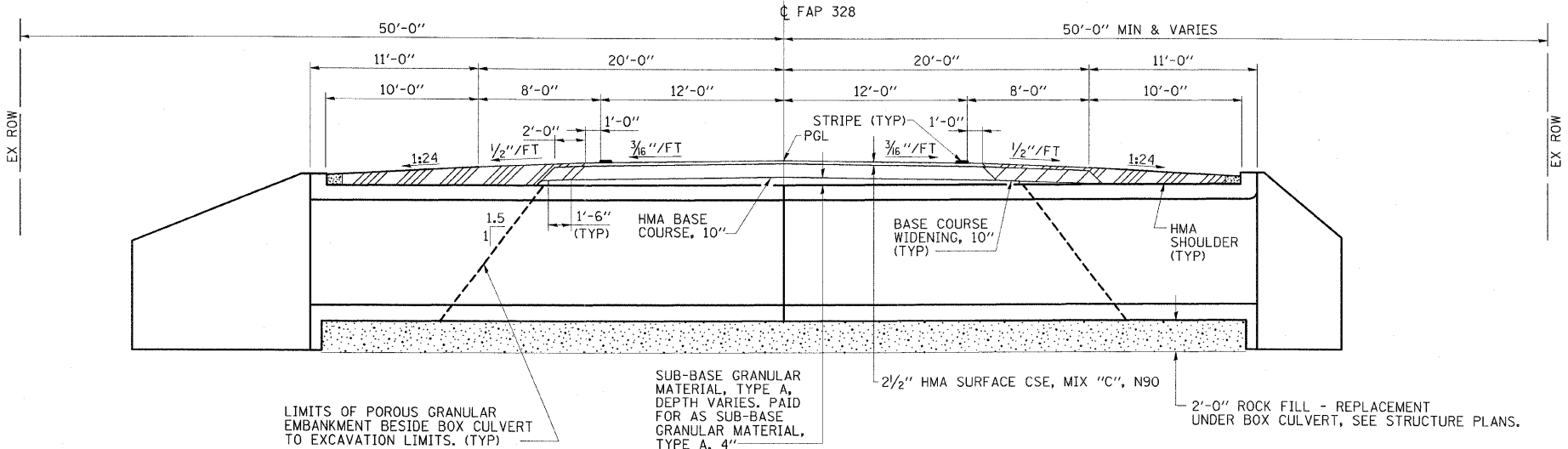
EXISTING BRIDGE APPROACH SECTION
 STA 1413+38.01 TO 1414+08.17
 OMISSION STA 1413+57.92 TO 1413+88.26



PROPOSED TYPICAL ROADWAY SECTION
 STA 1411+00 TO 1415+00
 OMISSION STA 1413+30 TO 1414+10



PROPOSED TYPICAL ROADWAY SECTION
 STA 1413+30 TO 1414+10
 OMISSION STA 1413+53.88 TO 1413+82.12



SECTION THRU BOX CULVERT
 STA 1413+53.88 TO 1413+82.12

TYPICAL SECTIONS
 US 45 OVER GROVE CREEK
 FAP ROUTE 328 - SECTION (6BR-1)B-1
 CLAY COUNTY
 STATION 1413+68.00
 STRUCTURE NO. 013-2009

ESCA
 CONSULTANTS, INC.

DESIGNED BY:	JMS	04/08
DRAWN BY:	CJ	04/08
CHECKED BY:	MTD	05/08
APPROVED BY:	RDP	08/08