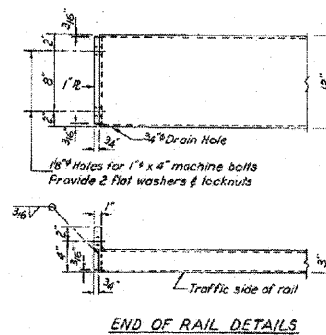
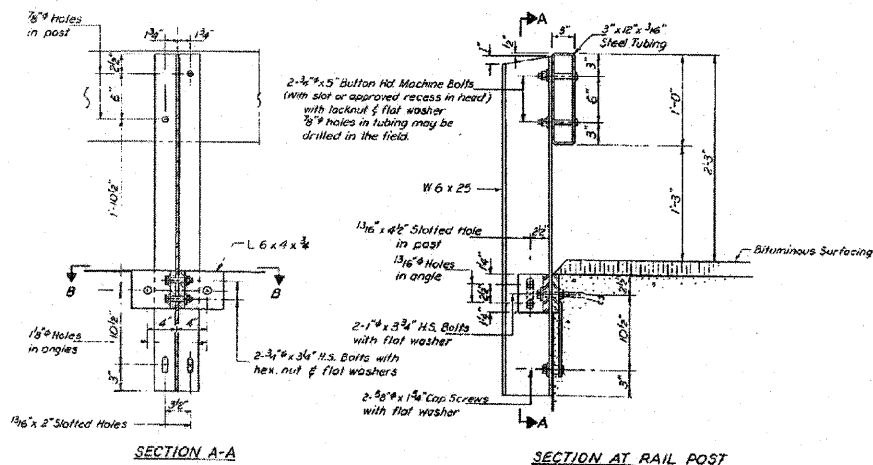
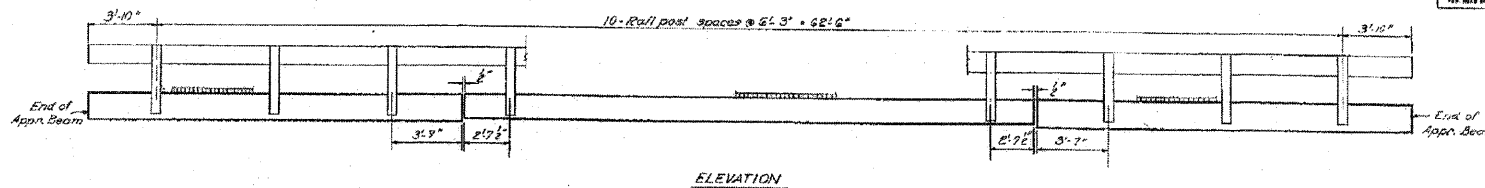


STATE OF ILLINOIS
DEPARTMENT OF TRANSPORTATION

DATE	DESCRIPTION	BY	CHKD	APP'D	SHEET NO.
2/28/88	CLAY	B	7		5 SHEETS



NOTES

Hollow structural steel tubing shall conform to the requirements of ASTM designation A-500 Grade B or A-501 Structural Steel Tubing.

All other steel shapes and plates shall conform to the requirements of ASTM designation A-36 except posts shall conform to ASTM A-441. Bolts, cap screws, and nuts shall conform to the requirements of ASTM designation A-307 except for high strength bolts, nuts and washers noted which shall conform to ASTM designation A-325.

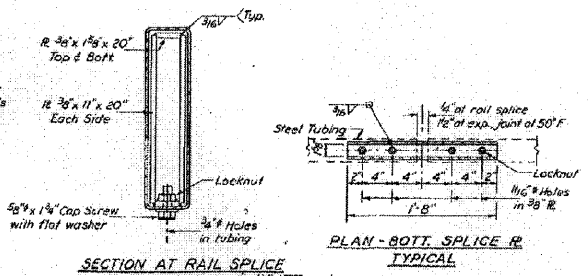
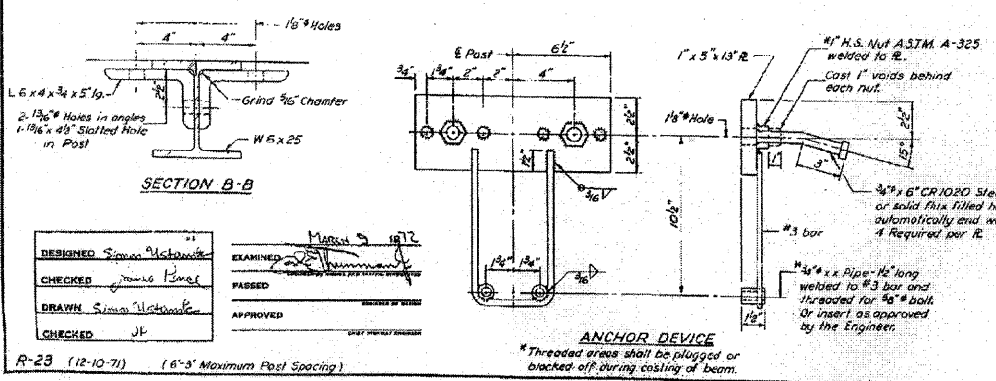
All bolts, nuts, cap screws, washers and lock washers shall be galvanized in accordance with ASTM designation A-153.

All posts, railing, rail splices, anchor devices shall be galvanized after shop fabrication in accordance with ASTM designation A-153 and A-385. Galvanized rail shall not be painted.

Railing shall be in accordance with Section 508 of the Standard Specifications, except as noted, and shall be paid for at the contract unit price per linear foot for STEEL RAILING, TYPE S.

All field drilled holes shall be coated with an approved zinc rich paint before erection.

The lower portion of the post flange in contact with concrete shall receive two coats of asphalt paint conforming to Section 714.08 Type B or place 6\"/>



BILL OF MATERIAL

Item	Unit	Quantity
Steel Railing, Type S	lin ft	181

**TYPE S
STEEL RAILING**
PART 205 (S.B.P.T.S.) OVER GROVE CREEK
SECTION GBR-1
CLAY COUNTY
STA. 1413+01

DESIGNED BY: *Simon H. Haskins*
 CHECKED BY: *James Hines*
 DRAWN BY: *Simon Haskins*
 CHECKED BY: *JL*

EXAMINED BY: *Mark S. 1972*
 PASSED BY: *[Signature]*
 APPROVED BY: *[Signature]*

R-23 (12-10-71) (6'-3\"/>