

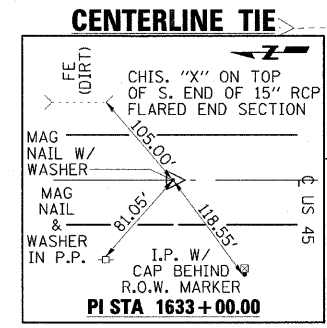
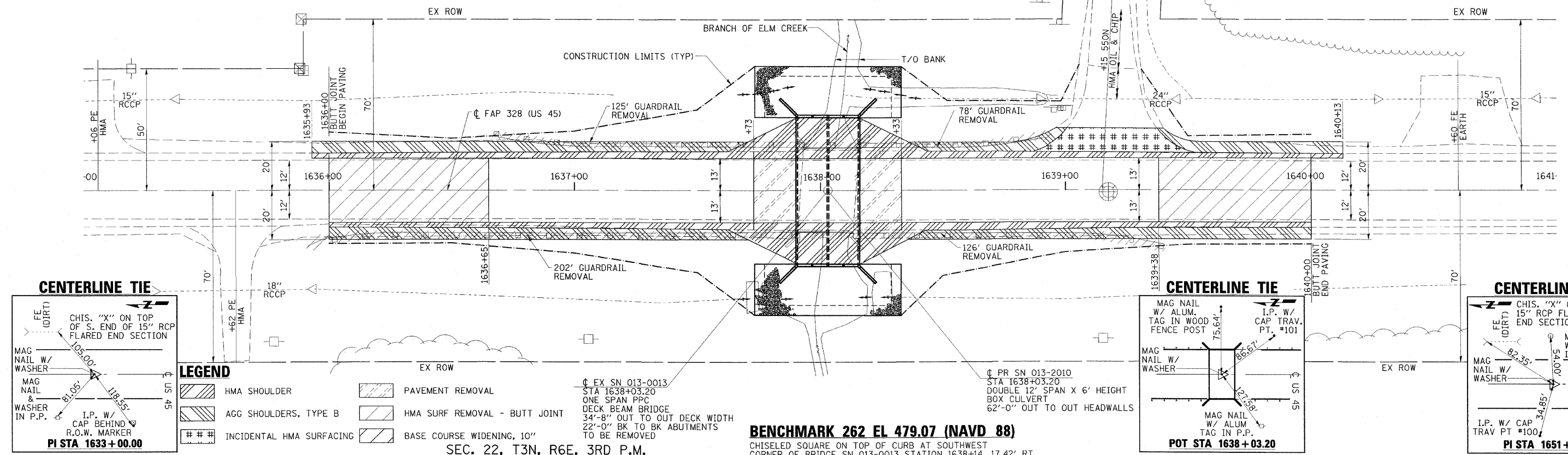


PLAN	SURVEYED	BY	DATE
	ALIGNED		
	CHECKED		
	RT. OF WAY		
	CHECKED		
	NO.		

PROFILE	SURVEYED	BY	DATE
	ALIGNED		
	CHECKED		
	STRUCTURE		
	NOTING		
	CHRD		
	NO.		

CONTRACT NO. 74107			
FAP RTE	SECTION	COUNTY	TOTAL SHEETS
328	16BR-31B-1	CLAY	109
STA. 1635+00		TO STA. 1641+00	
FED. ROAD DIST. NO.	ILLINOIS	FED. AID PROJECT	

SEC. 23, T3N, R6E, 3RD P.M.

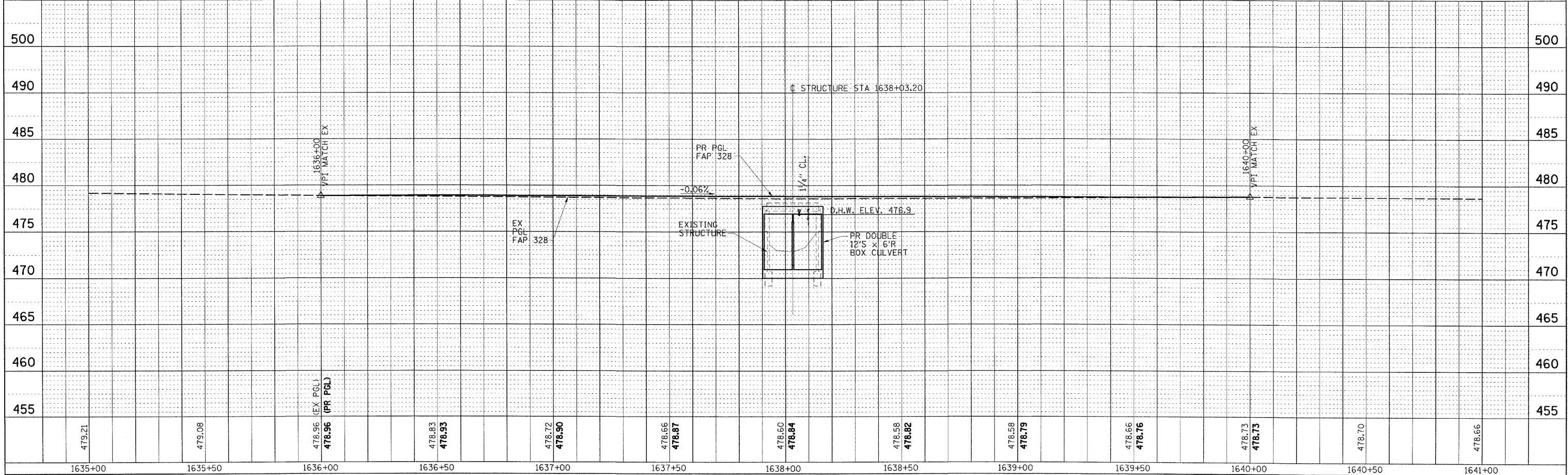
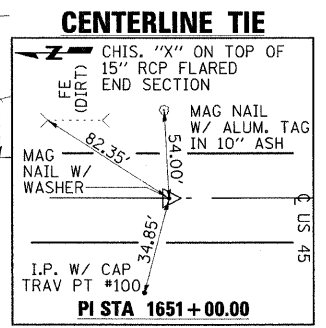
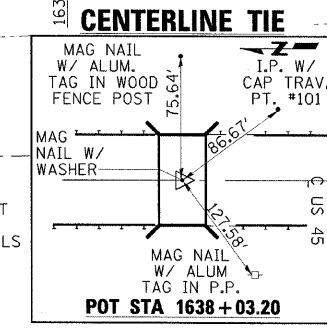


LEGEND

	HMA SHOULDER		PAVEMENT REMOVAL
	AGG SHOULDERS, TYPE B		HMA SURF REMOVAL - BUTT JOINT
	INCIDENTAL HMA SURFACING		BASE COURSE WIDENING, 10"

EX SN 013-0013
 STA 1638+03.20
 ONE SPAN PPC
 DECK BEAM BRIDGE
 34'-8" OUT TO OUT DECK WIDTH
 22'-0" BK TO BK ABUTMENTS
 TO BE REMOVED

BENCHMARK 262 EL 479.07 (NAVD 88)
 CHISELED SQUARE ON TOP OF CURB AT SOUTHWEST
 CORNER OF BRIDGE SN 013-0013 STATION 1638+14, 17.42' RT



FAP RTE 328 (US 45) PLAN AND PROFILE