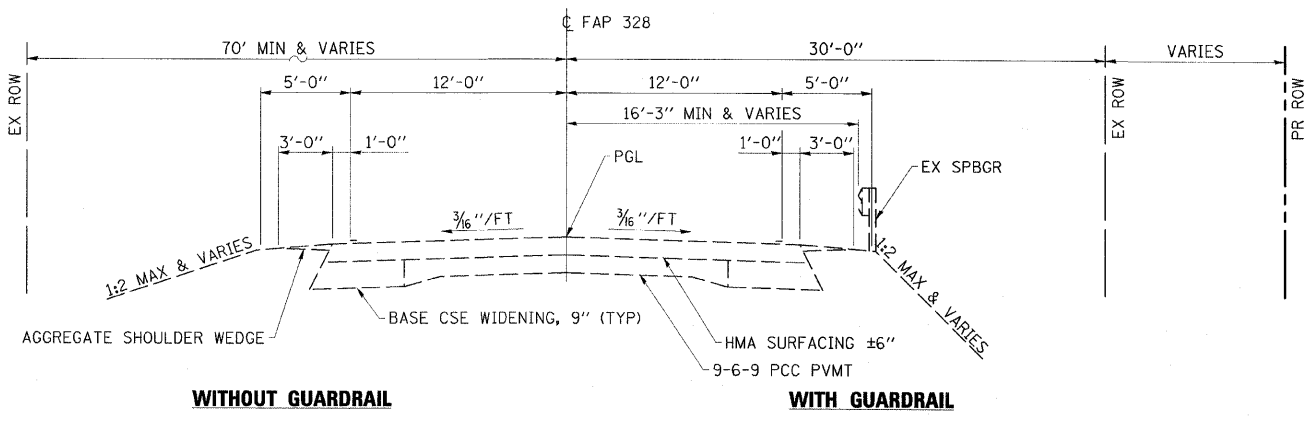


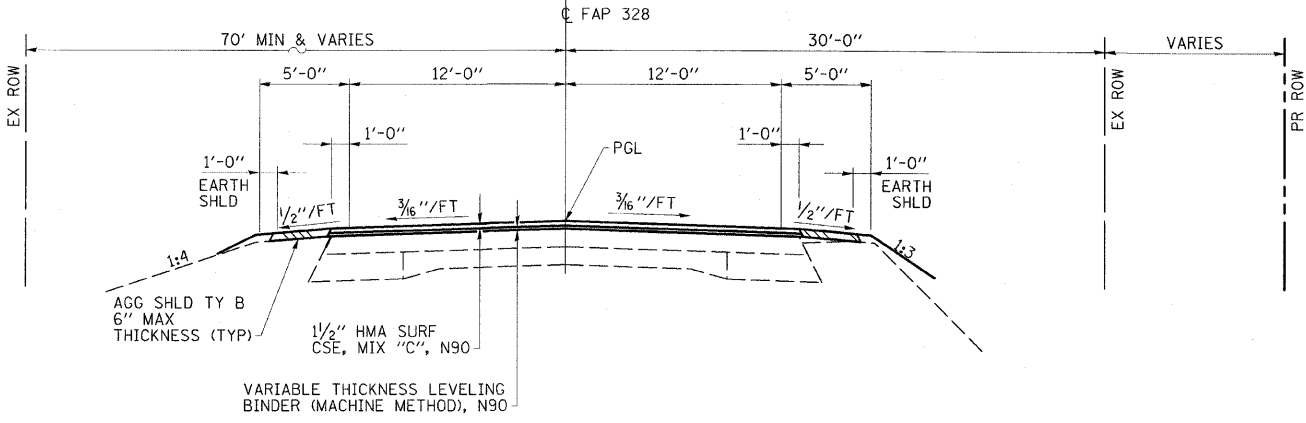


FAP RTE	SECTION	COUNTY	TOTAL SHEETS	SHEET NO.
328		CLAY	109	54
STA.		TO STA.		
FED. ROAD DIST. NO.		ILLINOIS FED. AID PROJECT		
*(8BR-3, 8BR-4)B-1				



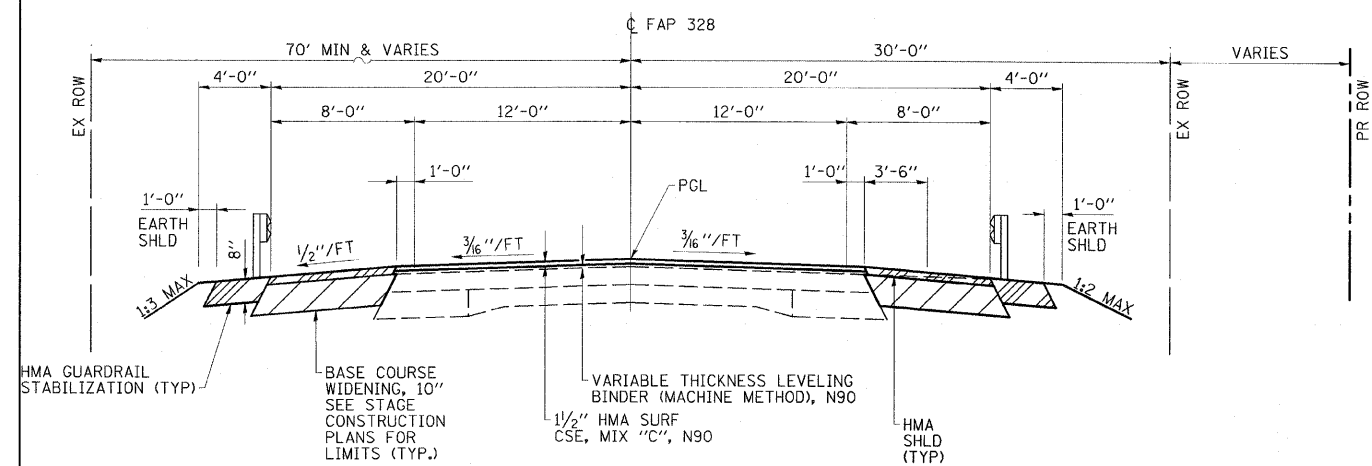
EXISTING TYPICAL ROADWAY SECTION
 STA 960+00.00 TO 975+00.00

OMISSION STA 965+93.67 TO 966+55.94 (SN 013-2011)
 OMISSION STA 967+75.33 TO 969+36.67 (SN 013-0043)



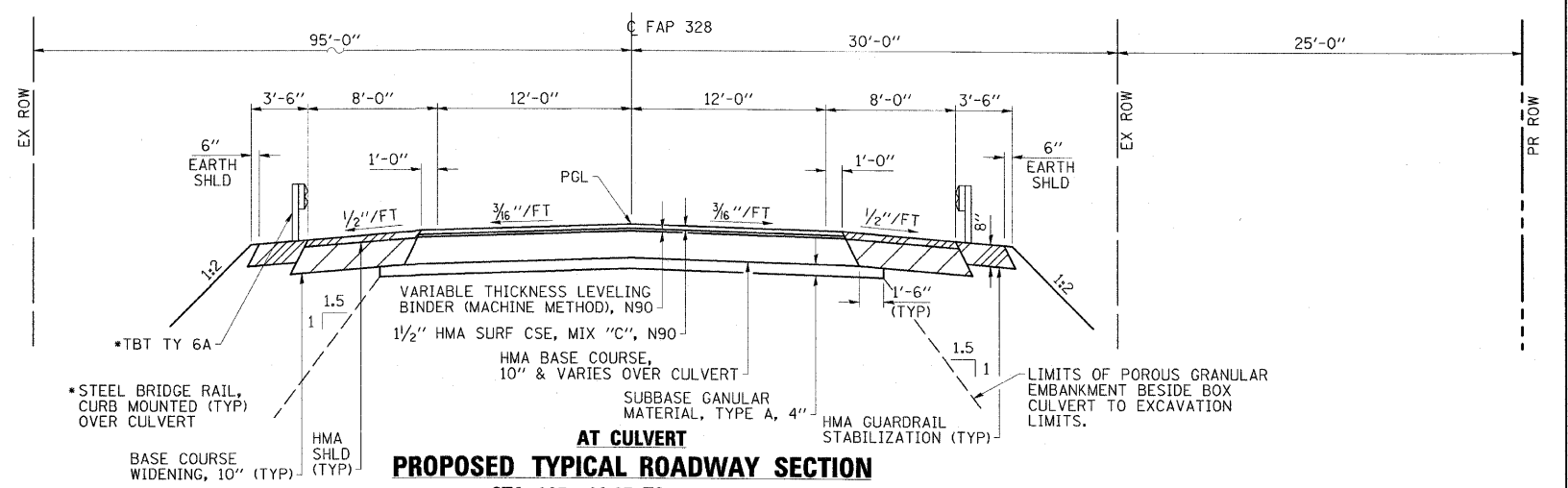
PROPOSED TYPICAL ROADWAY SECTION WITHOUT GUARDRAIL

STA 963+45.00 TO 964+42.00, LT AND STA 963+45.00 TO 963+58.00, RT
 STA 971+74.00 TO 974+15.00, LT AND STA 970+74.00 TO 974+71.00, RT



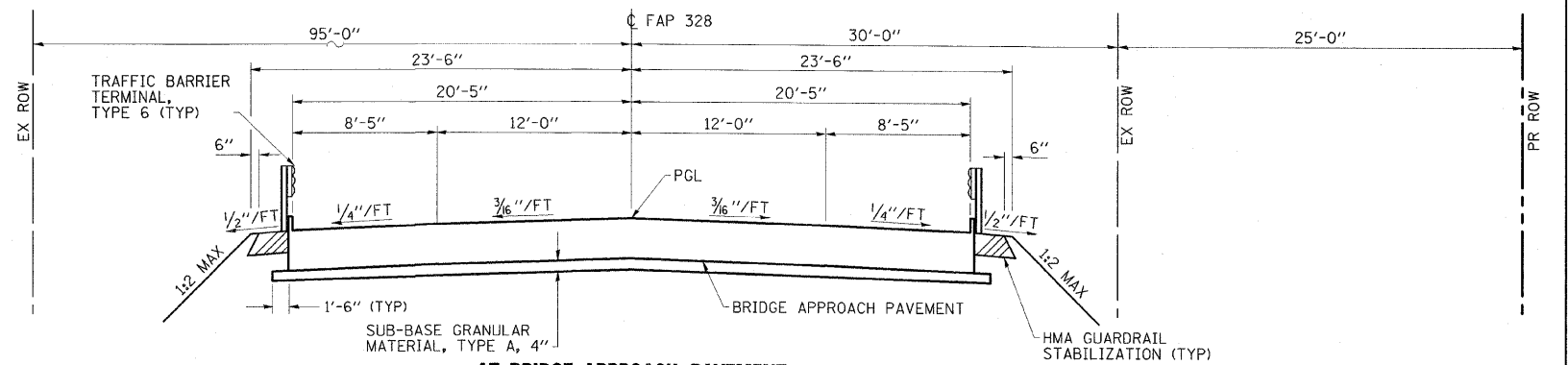
PROPOSED TYPICAL ROADWAY SECTION WITH GUARDRAIL

STA 964+42.00 TO 971+74.00, LT AND STA 963+58.00 TO 970+74.00, RT
 OMISSION STA 965+93.67 TO 966+55.94 (SN 013-2011)
 OMISSION STA 967+75.33 TO 969+36.67 (SN 013-0043)



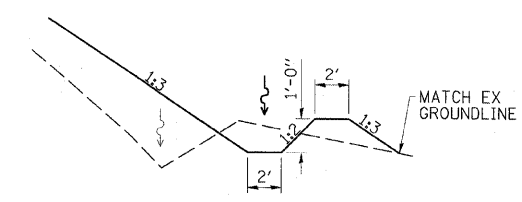
PROPOSED TYPICAL ROADWAY SECTION AT CULVERT

STA 965+93.67 TO 966+55.94



PROPOSED TYPICAL ROADWAY SECTION AT BRIDGE APPROACH PAVEMENT

STA 967+75.33 TO 969+36.67
 BRIDGE OMISSION STA 968+04.75 TO 969+07.25



SPECIAL DITCH RT

STA 970+00.00 TO 973+00.00

ESCA
 CONSULTANTS, INC.

DESIGNED BY:	DAJ	04/08
DRAWN BY:	HAS	04/08
CHECKED BY:	MTD	05/08
APPROVED BY:	RDP	08/08

TYPICAL SECTIONS
 US 45 OVER SEMINARY CREEK & OVERFLOW
 FAP ROUTE 328 - SECTIONS (8BR-3, 8BR-4)B-1
 CLAY COUNTY