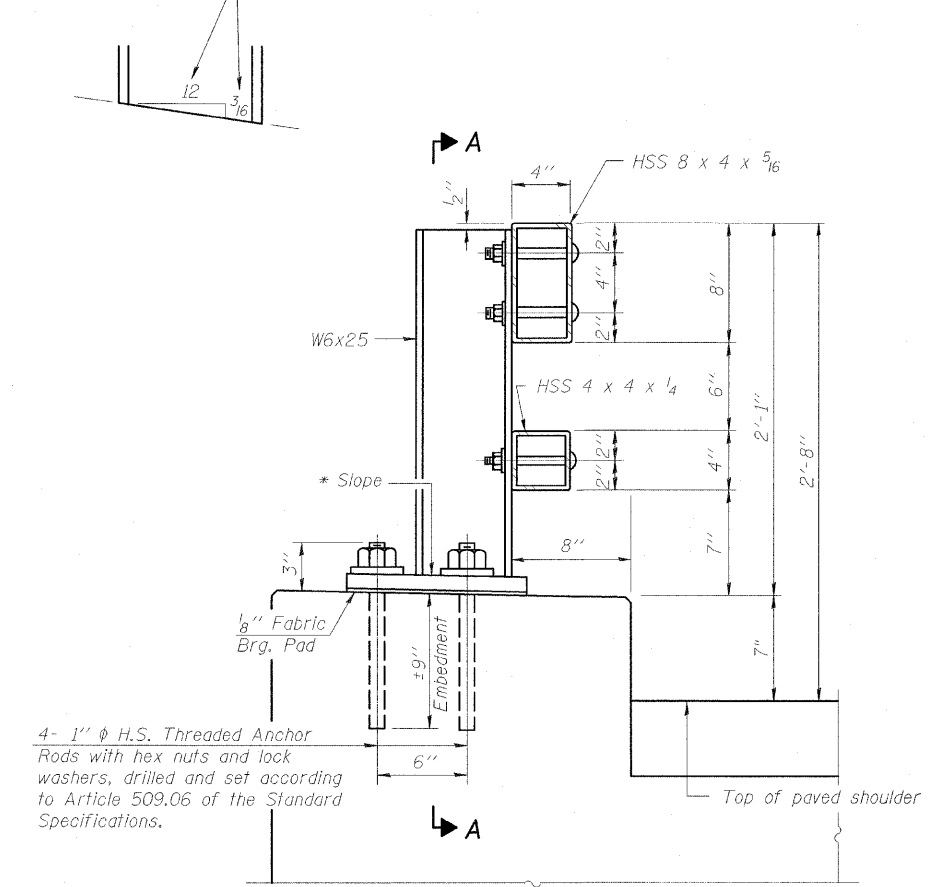


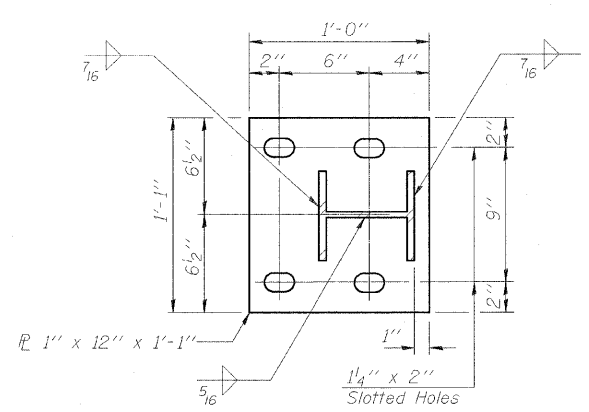
STATE OF ILLINOIS
DEPARTMENT OF TRANSPORTATION

ROUTE NO. FAP 328	SECTION #	COUNTY CLAY	STATION 109	SHEET 72	SHEET NO. 7
FED. ROAD DIST. NO.		ILLINOIS	FED. AID PROJECT		7 SHEETS
				Contract #74107	*18BR-31B-1

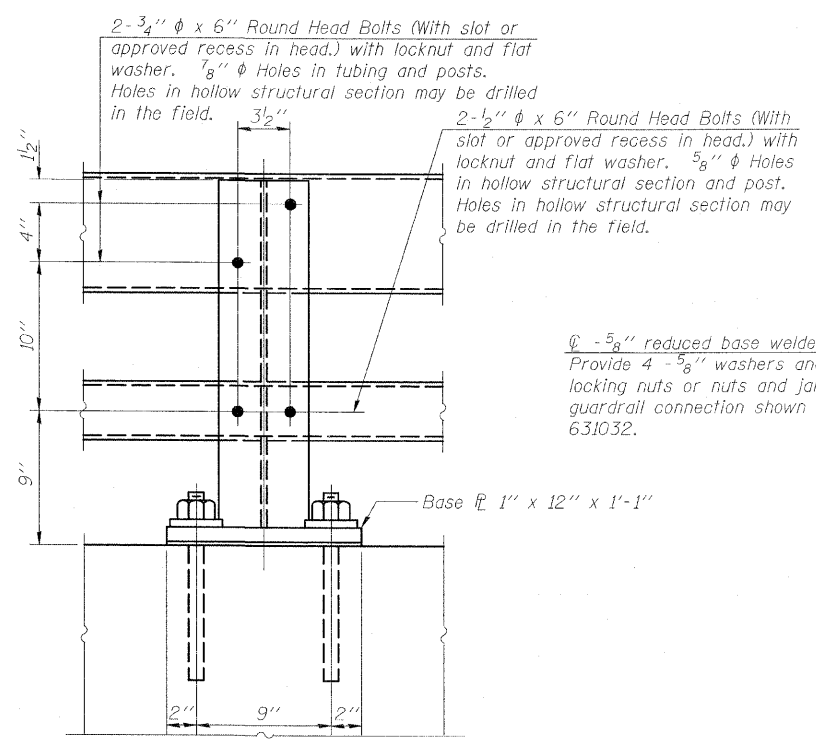
* Cut bottom end of post to headwall slope.



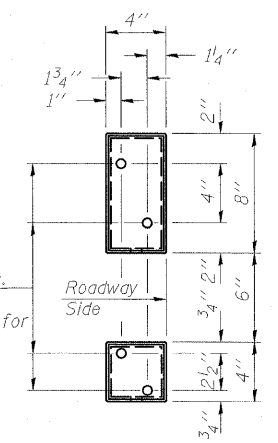
SECTION AT RAIL POST



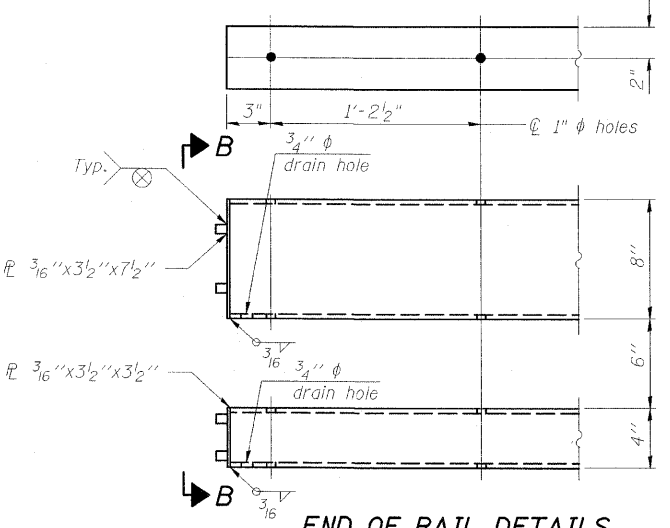
BASE PLATE DETAIL



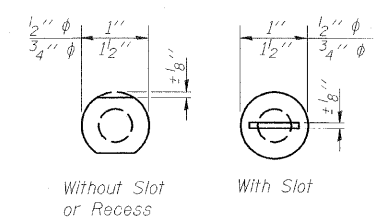
SECTION A-A



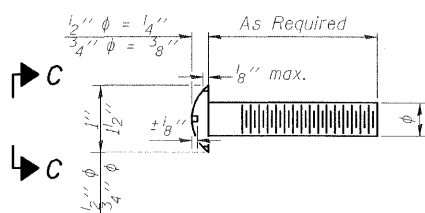
VIEW B-B



END OF RAIL DETAILS



VIEW C-C



DETAIL OF 1/2" ϕ & 3/4" ϕ ROUND HEAD BOLTS

Notes:
All field drilled holes shall be coated with an approved zinc rich paint before erection.
Provide one 1/8" and two 1/16" steel shims for 25% of the posts. Shims shall be similar to base plates in size and holes.
All steel rail elements shall be galvanized according to Article 509.05 of the Standard Specifications.

BILL OF MATERIAL

Item	Unit	Quantity
Steel Railing, Type 2399	Foot	46

ESCA
CONSULTANTS, INC.

DESIGNED BY:	FMA	03/08
DRAWN BY:	CJ	03/08
CHECKED BY:	ELH	05/08
APPROVED BY:	RDP	08/08

(6'-3" Maximum Post Spacing)

STEEL RAILING, TYPE 2399
US 45 OVER SEMINARY CREEK OVERFLOW
FAP ROUTE 328 - SECTION (8BR-3)B-1
CLAY COUNTY
STATION 966+25.10
STRUCTURE NO. 013-2011