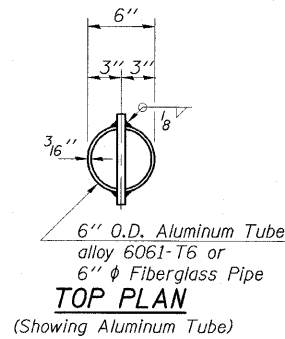
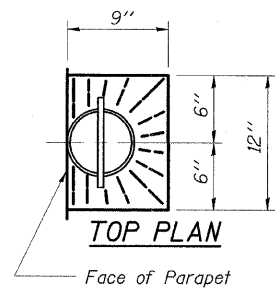
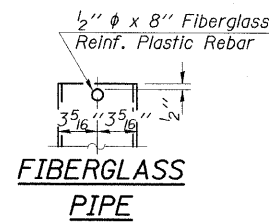
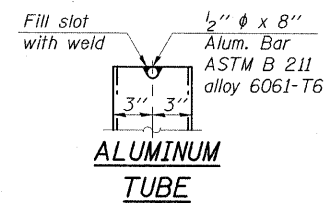


STATE OF ILLINOIS
DEPARTMENT OF TRANSPORTATION

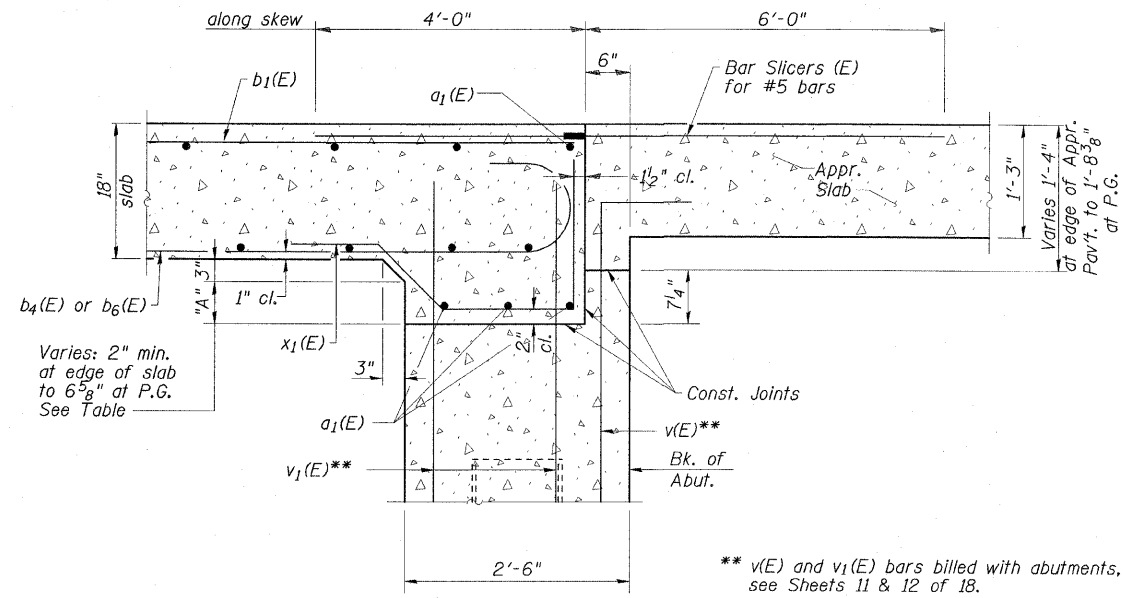
ROUTE NO.	SECTION	COUNTY	STATE SHEETS	SHEET NO.	SHEET NO. 10 18 SHEETS
FAP 328	*	CLAY	109	87	
FED. ROAD DIST. NO.	ILLINOIS	FED. AID PROJECT	CONTRACT NO. 74107 * (BBR-4)B-1		



FLOOR DRAIN DETAILS

Notes:

Fiberglass pipe shall conform to ASTM D2996, with short-time rupture strength hoop tensile stress of 30,000 p.s.i. minimum. The exterior surfaces of the Floor Drains shall be coated or pigmented by the manufacturer with a color that matches the concrete.

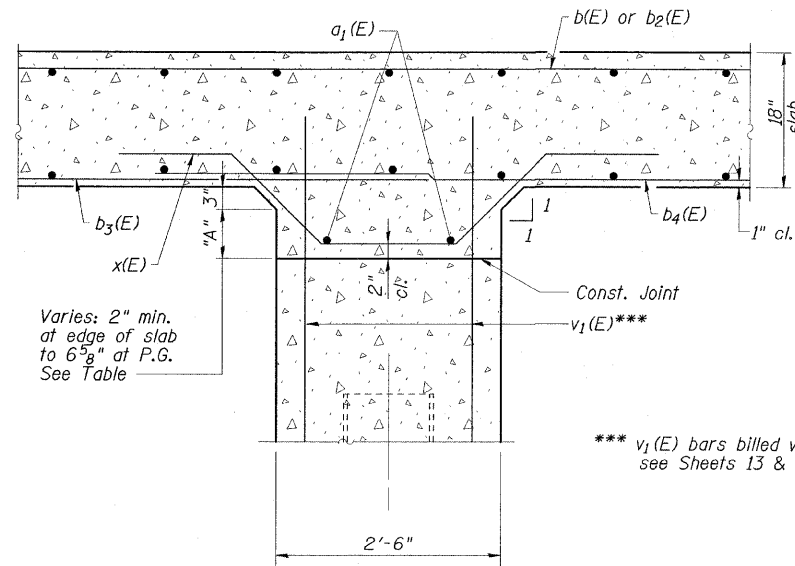


** v(E) and v1(E) bars billed with abutments, see Sheets 11 & 12 of 18.

SECTION A-A

DIMENSION "A"

	South Abutment	Pier 1	Pier 2	North Abutment
West edge of superstructure	2"	2"	2"	2"
West edge of roadway	4 3/8"	4 3/8"	4 3/8"	4 3/8"
Center Roadway & P.G.	6 5/8"	6 5/8"	6 5/8"	6 5/8"
East edge of roadway	4 3/8"	4 3/8"	4 3/8"	4 3/8"
East edge of superstructure	2"	2"	2"	2"



*** v1(E) bars billed with piers, see Sheets 13 & 14 of 18.

SECTION B-B

ESCA
CONSULTANTS, INC.

DESIGNED BY:	MTD	04/08
DRAWN BY:	DWH	04/08
CHECKED BY:	DAJ	05/08
APPROVED BY:	RDP	08/08

SUPERSTRUCTURE DETAILS
US 45 OVER SEMINARY CREEK
FAP ROUTE 328 - SECTION (BBR-4)B-1
CLAY COUNTY
STATION 968+56.00
STRUCTURE NO. 013-0043