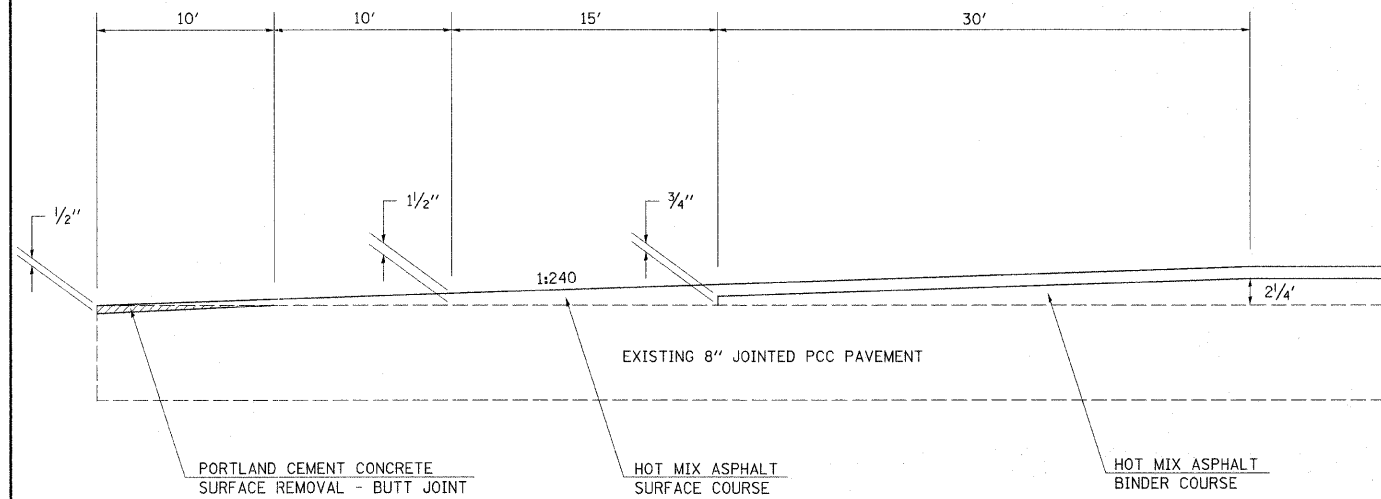
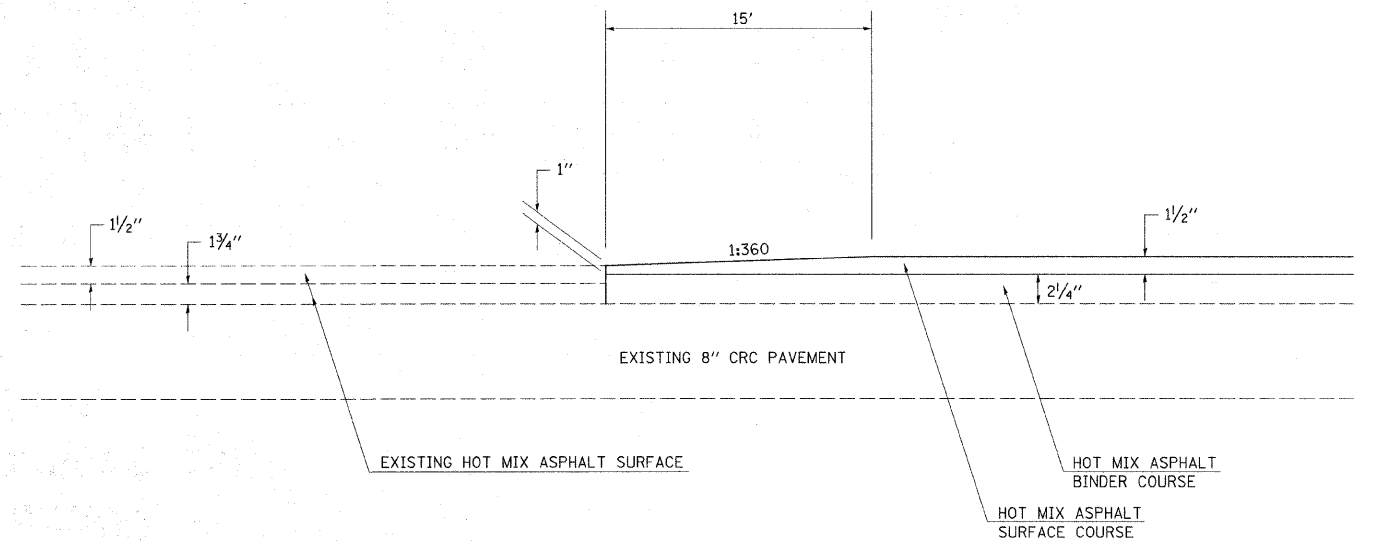


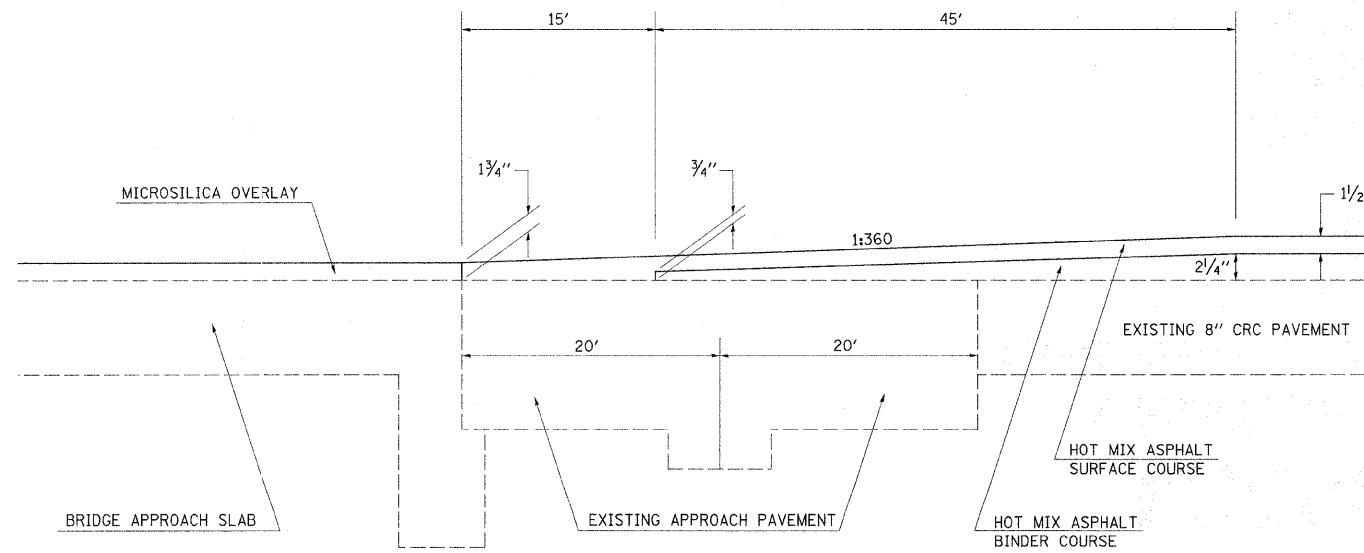
**BUTT JOINT DETAIL FOR
REST AREA RAMPS**



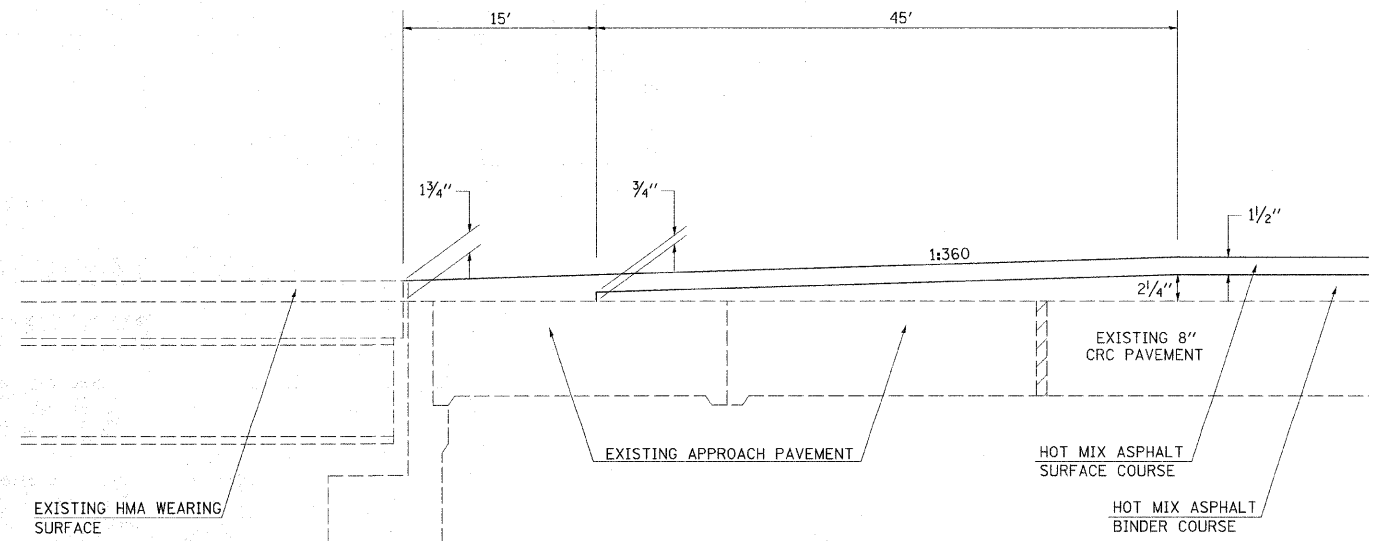
**BUTT JOINT DETAIL
STA. 700+98 & STA. 910+00**



**BUTT JOINT DETAIL
S.N. 058-0093 & 058-0094**



**BUTT JOINT DETAIL
S.N. 058-0095 (EAST/WEST APPROACH)
S.N. 058-0096 (WEST APPROACH)**



FILE NAME =	USER NAME = swartzw	DESIGNED -	REVISED -
ca:\pwork\PWIDOT\SWARTZRW\dms50694\sh	details_74171.dgn	DRAWN -	REVISED -
	PLOT SCALE = 20.0000' / IN.	CHECKED -	REVISED -
	PLOT DATE = 10/9/2008	DATE -	REVISED -

**STATE OF ILLINOIS
DEPARTMENT OF TRANSPORTATION**

DETAILS

SCALE: NA SHEET NO. 1 OF 3 SHEETS STA. TO STA.

F.A.I. RTE. 72	SECTION (58,74)(66,67)RS-1	COUNTY MACON	TOTAL SHEETS 38	SHEET NO. 30
FED. ROAD DIST. NO.		ILLINOIS FED. AID PROJECT		
CONTRACT NO. 74171				