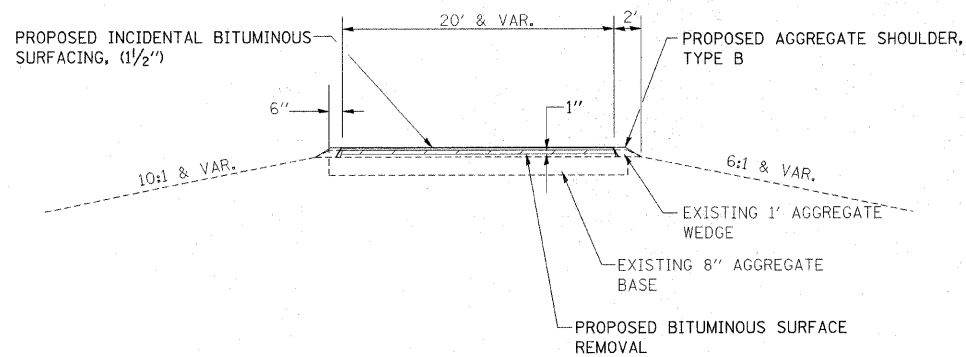
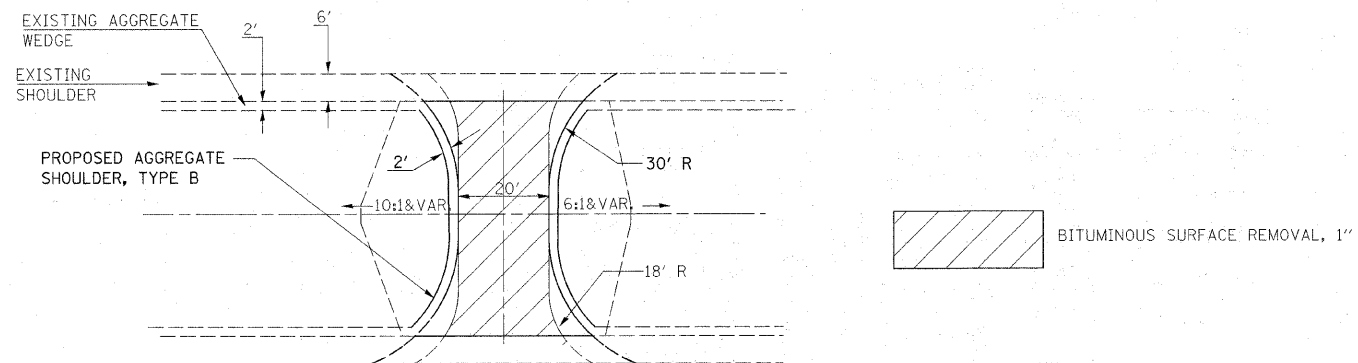


TYPICAL



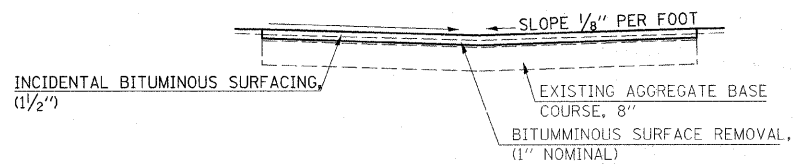
PLAN



NOTES

- 1.) OMIT RUMBLE STRIPS ON SHOULDERS WITHIN THE LIMITS OF THE MEDIAN CROSSOVER.

PROFILE



FILE NAME =	USER NAME = swartzw	DESIGNED -	REVISED -	<b>STATE OF ILLINOIS DEPARTMENT OF TRANSPORTATION</b>	<b>DETAILS</b>		F.A.I. RTE.	SECTION	COUNTY	TOTAL SHEETS	SHEET NO.	
ct:\pw\work\VPWIDOT\SWARTZRW\dms50694\al	details_74171.dgn	DRAWN -	REVISED -				72	(58,74)(66,67)RS-1	MACON	38	32	
	PLOT SCALE = 20,0000 ' / IN.	CHECKED -	REVISED -		SCALE: NA		SHEET NO. 3 OF 3 SHEETS	STA.	TO STA.	CONTRACT NO. 74171		
	PLOT DATE = 10/9/2008	DATE -	REVISED -				FED. ROAD DIST. NO.		ILLINOIS FED. AID PROJECT			