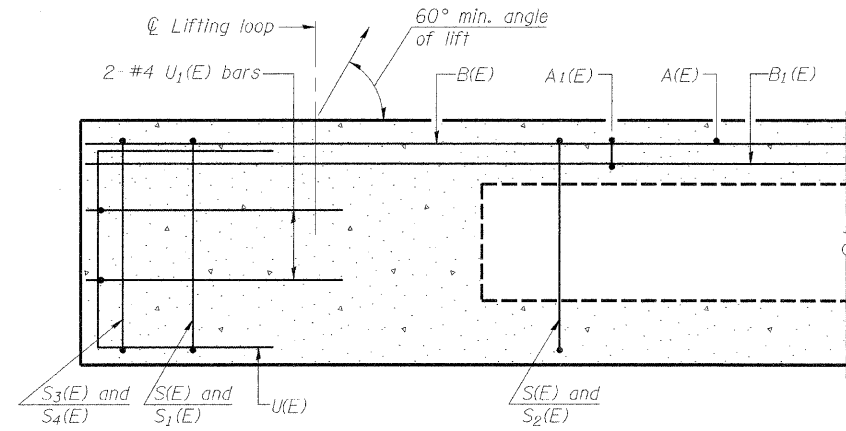
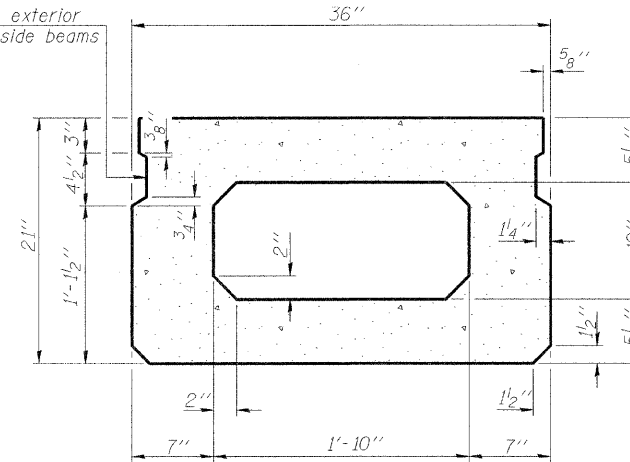


Contract #74183

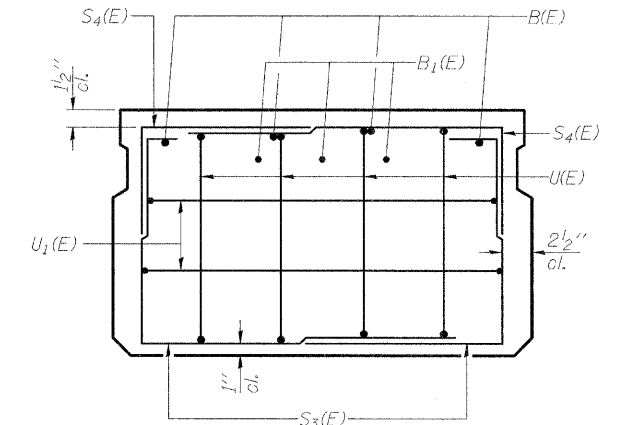


SECTION C-C

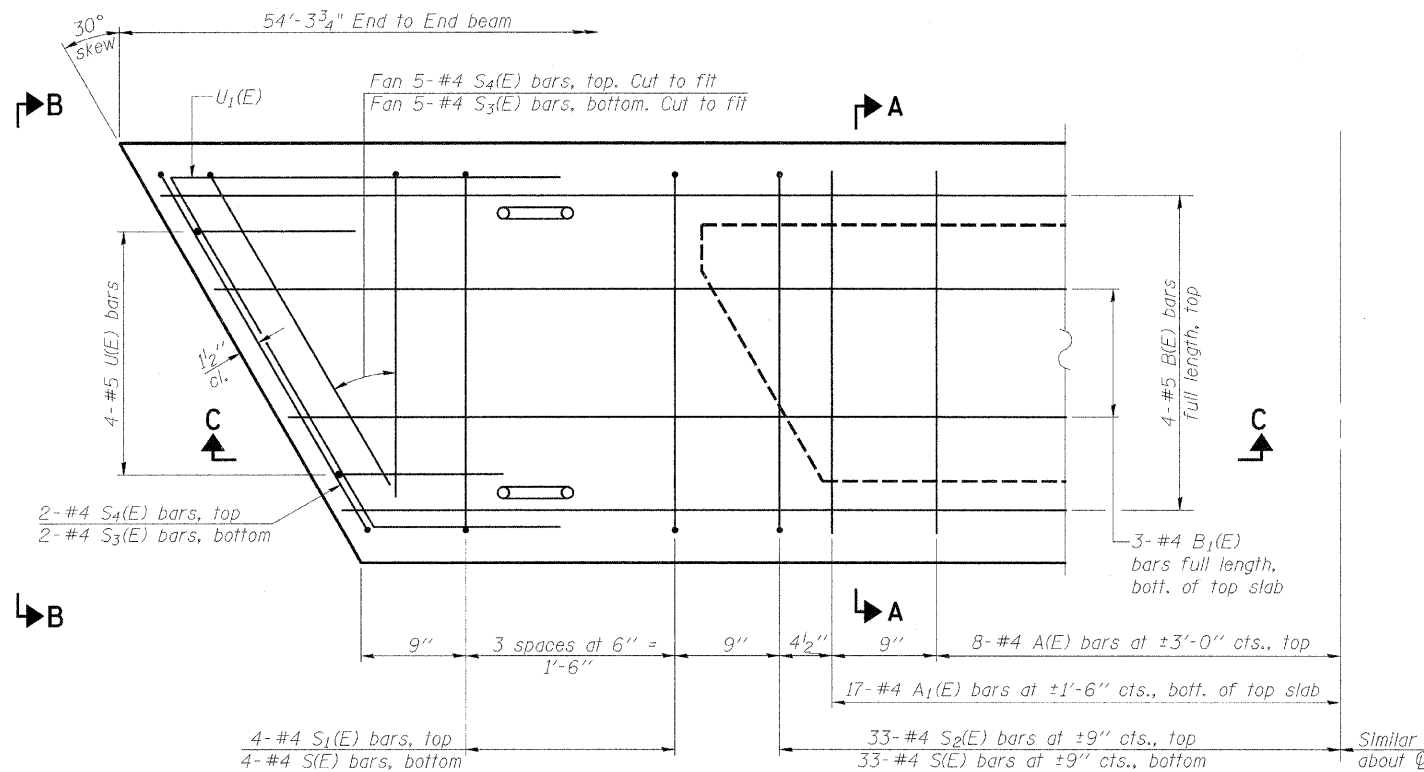
Omit key on exterior  
Face of outside beams



SECTION A-A  
(Showing dimensions)



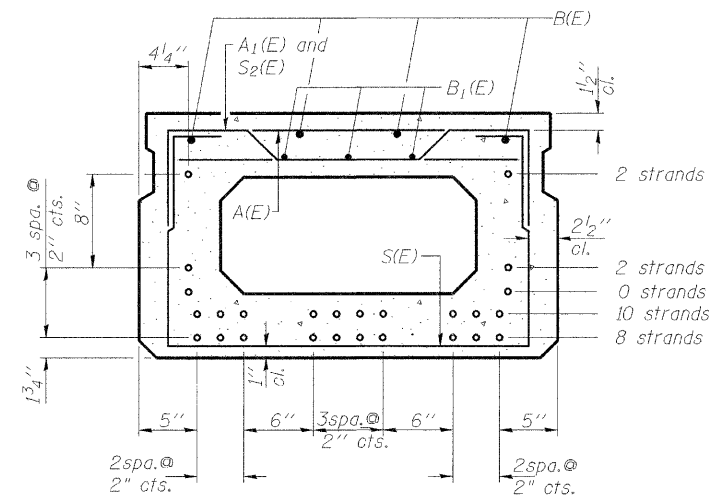
VIEW B-B



PLAN VIEW

Note: Spacing of S(E) and S2(E) bars may be adjusted up to 4" in the immediate area of the transverse tie diaphragms to miss the block outs for the transverse ties.

DESIGNED	DDB
CHECKED	LLV
DRAWN	MJY
CHECKED	LLV



SECTION A-A

(Showing reinforcement and permissible strand locations)

Note: Place the number of strands specified in each row symmetrically about the centerline of beam in the permissible strand locations shown.

**BAR LIST**  
**ONE BEAM ONLY**  
(For information only)

Bar	No.	Size	Length	Shape
A(E)	15	#4	2'-7"	U
A1(E)	33	#4	2'-11"	U
B(E)	4	#5	54'-0"	U
B1(E)	3	#4	54'-0"	U
S(E)	74	#4	6'-5"	U
S1(E)	8	#4	4'-11"	U
S2(E)	66	#4	5'-2"	U
S3(E)	14	#4	4'-11"	U
S4(E)	14	#4	4'-6"	U
U(E)	8	#5	4'-0"	U
U1(E)	4	#4	6'-10"	U

Note: See sheet 7 of 11 for additional details and Bill of Material.

**21" x 36" P.P.C. DECK BEAMS**  
**F.A.P. 770 (IL RTE. 128)**  
**OVER TRIBUTARY TO MARROWBONE CREEK**  
**SECTION 116-BR-1**  
**MOULTRIE COUNTY STA. 959+14.00**  
**STRUCTURE NO. 070-0037**

**STS | AECOM**

111 NE Jefferson Ave.  
Peoria, Illinois 61602  
Ph(309)676-8464  
FAX(309)676-5445  
IL Design Firm Reg.  
No. 184-001518  
www.sts.aecom.com