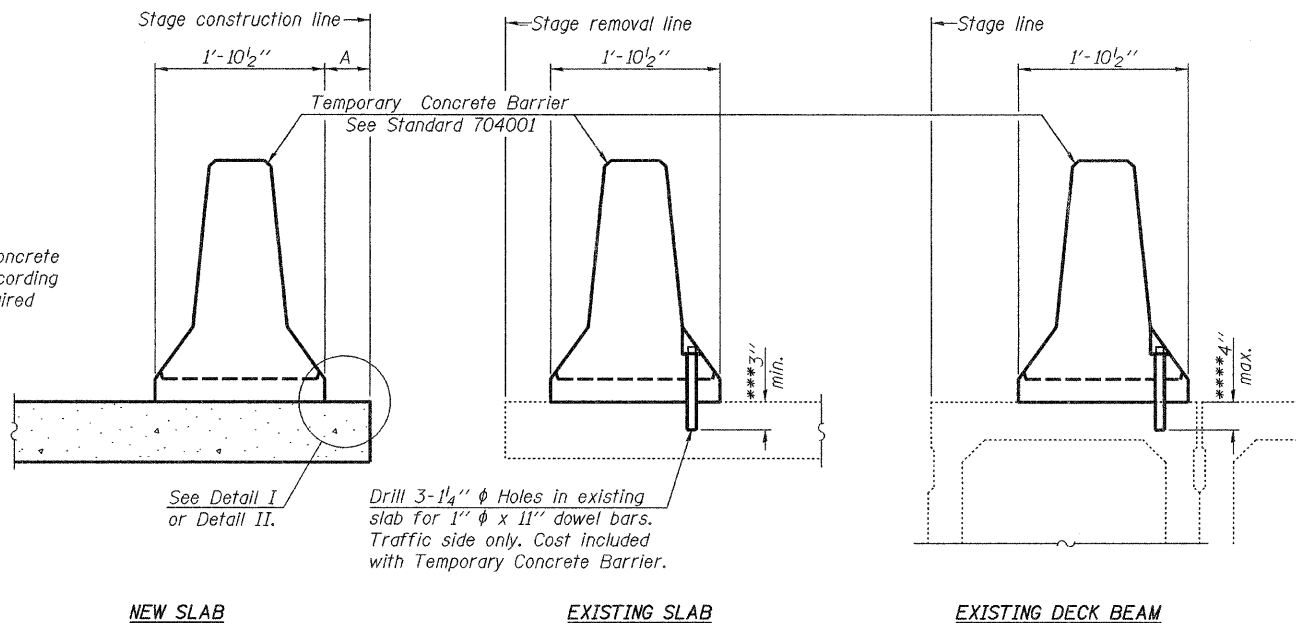


STATE OF ILLINOIS
DEPARTMENT OF TRANSPORTATION

ROUTE NO.	SECTION	COUNTY	TOTAL SHEETS	SHEET NO.	SHEET NO. 3 9 SHEETS
FAP 770	#	MOULTRIE	46	27	
FED. ROAD DIST. NO. 7		ILLINOIS	FED. AID PROJECT-		
		Contract #74183			
		*(116BR)B-1 & (116BR)BR			

When "A" is 3'-6" or less, the temporary concrete barrier shall be anchored to the new slab according to Detail I or Detail II. No anchorage is required when "A" is greater than 3'-6".

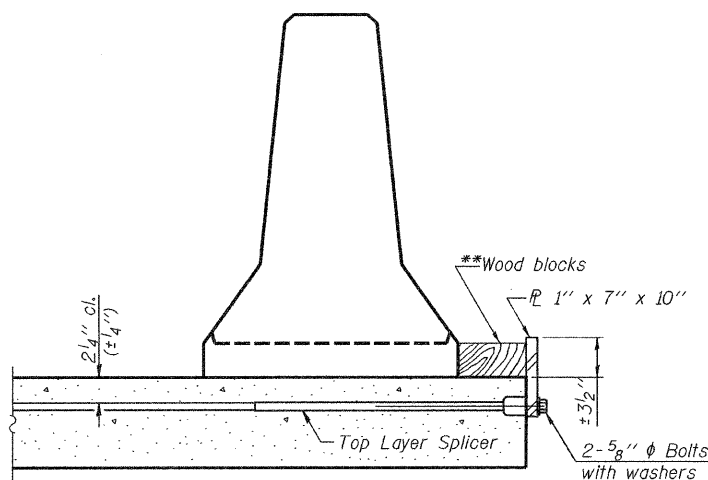


SECTIONS THRU SLAB OR DECK BEAM

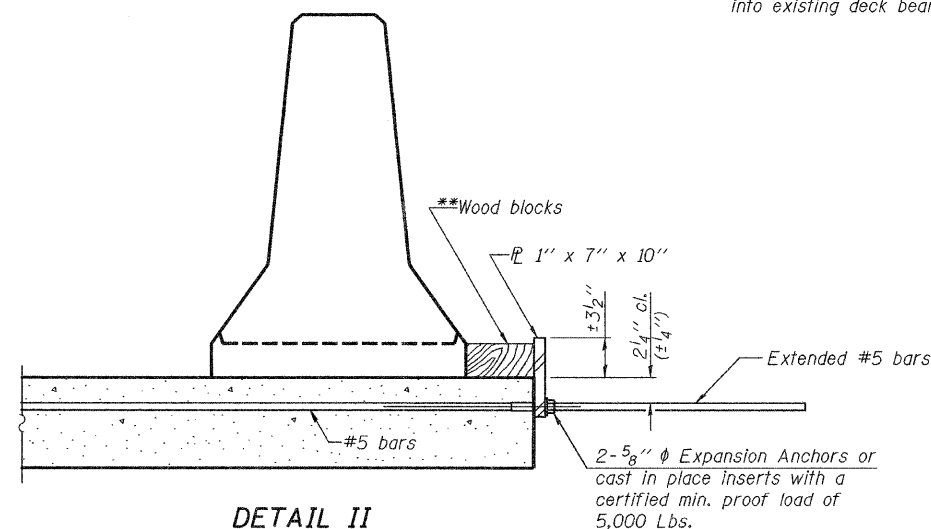
NOTES

- Detail I - With Bar Splicer or Couplers:
Connect one (1) 1"x7"x10" steel PL to the top layer of couplers with 2-5/8" φ bolts screwed to coupler at approximate C of each barrier panel.
- Detail II - With Extended Reinforcement Bars:
Connect one (1) 1"x7"x10" steel PL to the concrete slab or concrete wearing surface with 2-5/8" φ Expansion Anchors or cast in place inserts spaced between the top layer of reinforcement at approximate C of each barrier panel.
- Cost of anchorage is included with Temporary Concrete Barrier. The 1" x 7" x 10" plate shall not be removed until stage II construction forms and all reinforcement bars are in place and the concrete is ready to be placed.

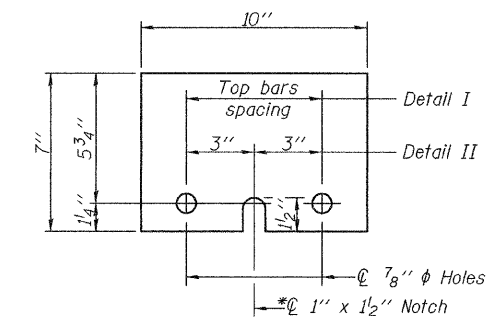
- ***Dimension shown is minimum required embedment into concrete. If hot-mix asphalt wearing surface is present, minimum embedment shall be in addition to wearing surface depth.
- ***If existing deck beam is to remain in place after stage construction, embedment shall only be into wearing surface and not into existing deck beam concrete.



DETAIL I



DETAIL II



STEEL RETAINER PL 1" x 7" x 10"

*Required only with Detail II

**Wood blocks may be omitted when required to provide minimum stage traffic lane width. When the wood blocks are omitted, the concrete barrier shall be in direct contact with the steel retainer plate.

DESIGNED	Jay D. Edwards
CHECKED	Nick R. Barnett
DRAWN	BECKY M. LEACH
CHECKED	JDE/NRB

September 16, 2008
EXAMINED *Thomas J. Donagale*
PASSED *Ralph E. Anderson*

R-27 5-16-08

TEMPORARY CONCRETE BARRIER
FOR STAGE CONSTRUCTION
F.A.P. RTE. 770 -
SEC. (116BR)B-1 & (116BR)BR
MOULTRIE COUNTY
STATION 843+77.40
STRUCTURE NO. 070-2019