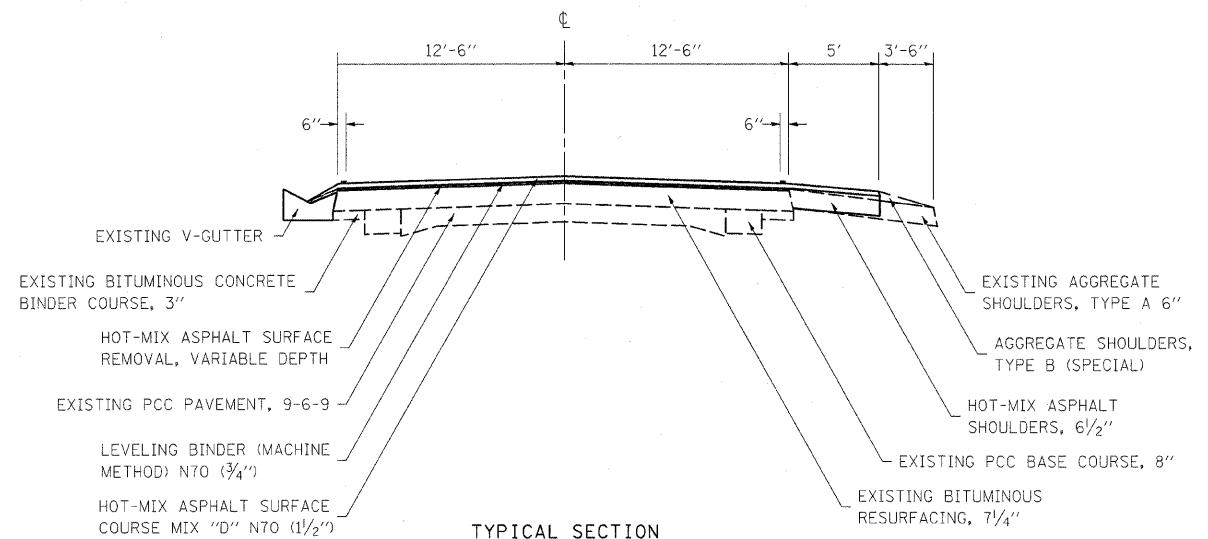


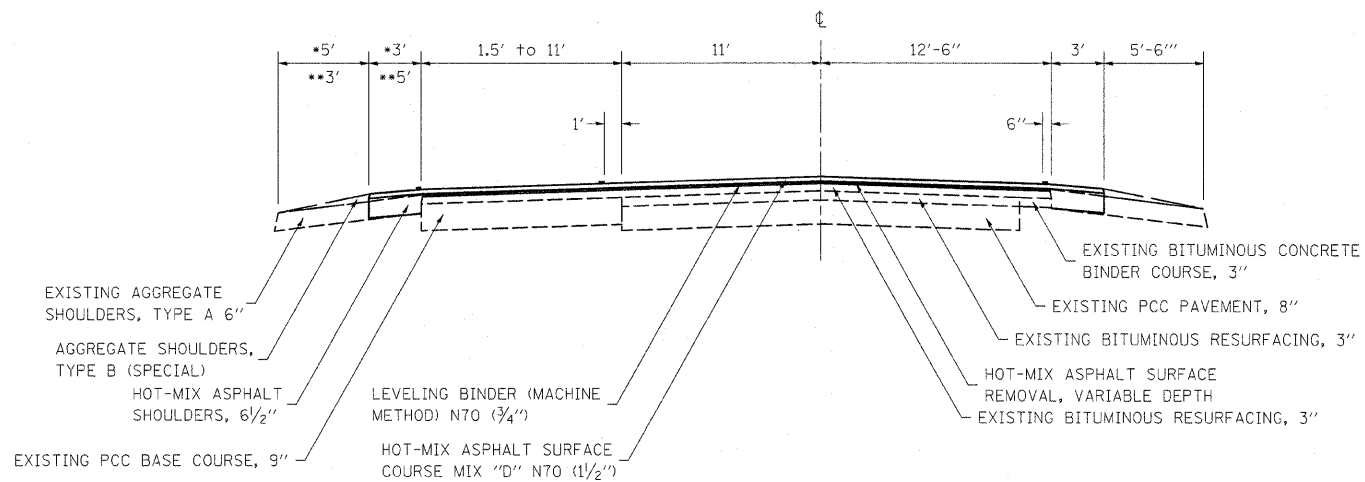
**TYPICAL SECTION**

STA 108+25 TO STA 132+34  
 STA 156+54 TO STA 164+36  
 STA 183+72 TO STA 410+03



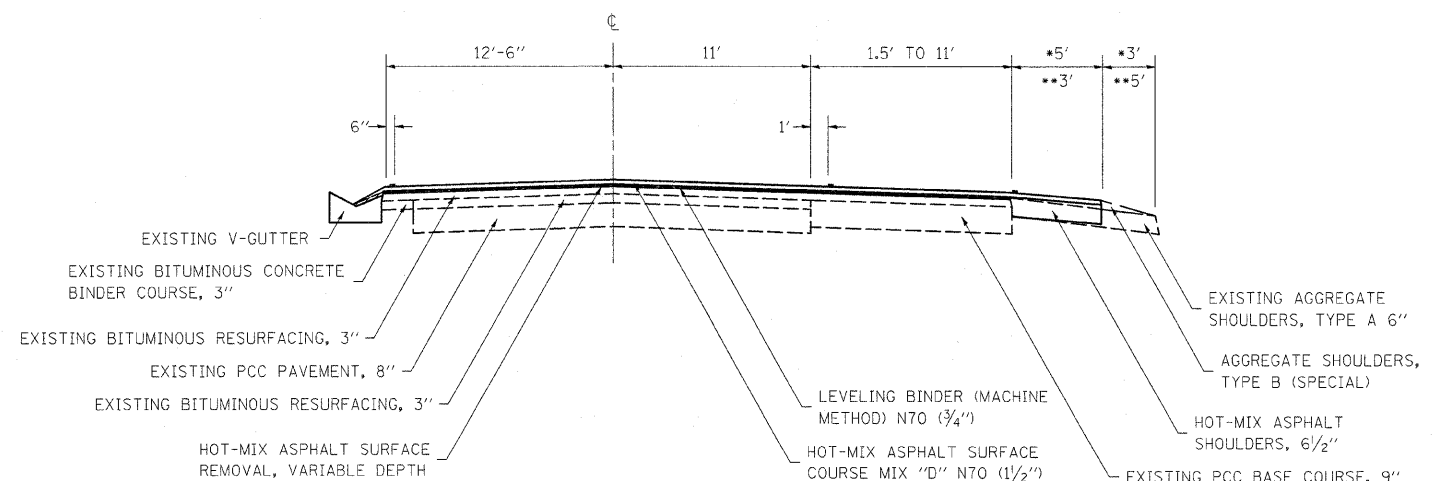
**TYPICAL SECTION**

STA 164+36 TO STA 165+70



**TYPICAL SECTION**

\*STA 132+34 TO STA 140+64  
 \*\*STA 140+64 TO STA 153+64



**TYPICAL SECTION**

\*STA 165+70 TO STA 166+31  
 \*\*STA 166+31 TO STA 173+10

FILE NAME =	USER NAME = steffennk
74318-sh1-typical.dgn	
PLOT SCALE = 50.0000' / IN.	
PLOT DATE = 10/21/2009	

DESIGNED -	REVISD -
DRAWN -	REVISD -
CHECKED -	REVISD -
DATE -	REVISD -

STATE OF ILLINOIS	TYPICAL SECTIONS		F.A.P. RTE.	SECTION	COUNTY	TOTAL SHEETS	SHEET NO.
DEPARTMENT OF TRANSPORTATION	SCALE:	SHEET NO. OF SHEETS	91	(5,4)RS-3	Coles	19	4
		STA. TO STA.	FED. ROAD DIST. NO. ILLINOIS FED. AID PROJECT		CONTRACT NO. 74318		

STATE OF ILLINOIS	TYPICAL SECTIONS		F.A.P. RTE.	SECTION	COUNTY	TOTAL SHEETS	SHEET NO.
DEPARTMENT OF TRANSPORTATION	SCALE:	SHEET NO. OF SHEETS	91	(5,4)RS-3	Coles	19	4
		STA. TO STA.	FED. ROAD DIST. NO. ILLINOIS FED. AID PROJECT		CONTRACT NO. 74318		

STATE OF ILLINOIS	TYPICAL SECTIONS		F.A.P. RTE.	SECTION	COUNTY	TOTAL SHEETS	SHEET NO.
DEPARTMENT OF TRANSPORTATION	SCALE:	SHEET NO. OF SHEETS	91	(5,4)RS-3	Coles	19	4
		STA. TO STA.	FED. ROAD DIST. NO. ILLINOIS FED. AID PROJECT		CONTRACT NO. 74318		

STATE OF ILLINOIS	TYPICAL SECTIONS		F.A.P. RTE.	SECTION	COUNTY	TOTAL SHEETS	SHEET NO.
DEPARTMENT OF TRANSPORTATION	SCALE:	SHEET NO. OF SHEETS	91	(5,4)RS-3	Coles	19	4
		STA. TO STA.	FED. ROAD DIST. NO. ILLINOIS FED. AID PROJECT		CONTRACT NO. 74318		