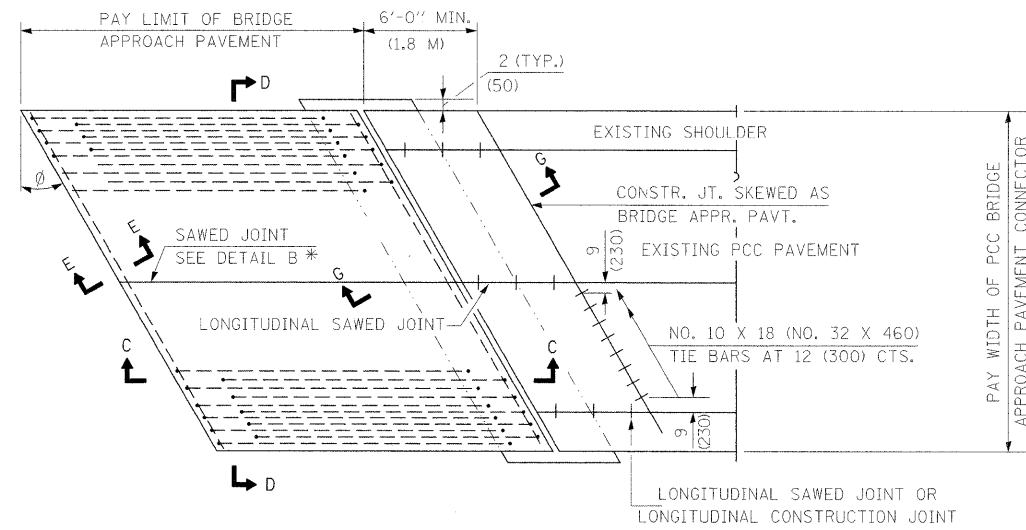
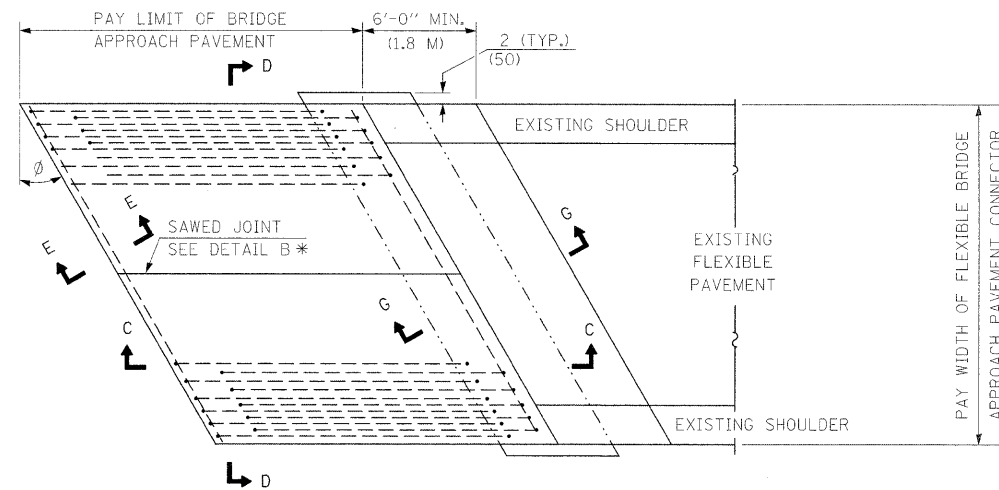


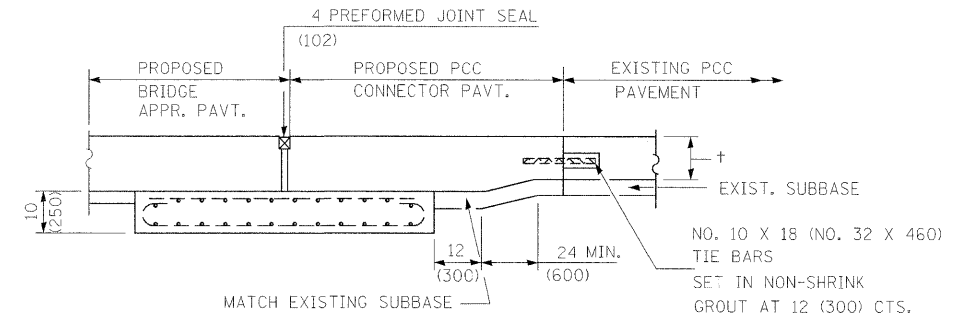
EXISTING CONSTRUCTION



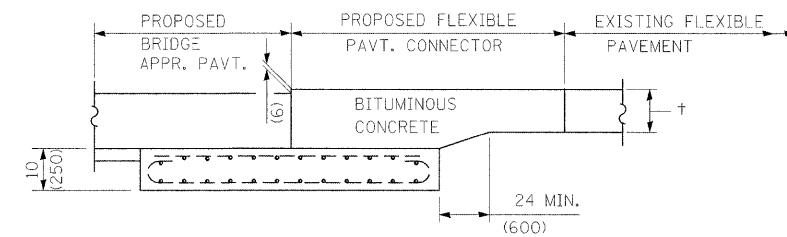
BRIDGE APPROACH PAVEMENT CONNECTOR (PCC)



BRIDGE APPROACH PAVEMENT CONNECTOR (FLEXIBLE)



SECTION G-G - RIGID PAVEMENT



SECTION G-G - FLEXIBLE PAVEMENT

FILE NAME =	USER NAME = owerbj	DESIGNED -	REVISED -	STATE OF ILLINOIS DEPARTMENT OF TRANSPORTATION	BRIDGE APPROACH PAVEMENT DETAIL	F.A.P. RTE.	SECTION	COUNTY	TOTAL SHEETS	SHEET NO.	
cr:\pw_work\p1dot\owenbj\dms51591\p1n02205b.dgn	PILOT SCALE = 20.0000' / IN.	DRAWN -	REVISED -			817	421B-1	ST. CLAIR	56	16	
DATE = 10/10/2008	DATE -	CHECKED -	REVISED -			CONTRACT NO. 76885					
						FED. ROAD DIST. NO. ILLINOIS FED. AID PROJECT					
						SCALE:	SHEET NO. 2 OF 4 SHEETS	STA.	TO STA.		