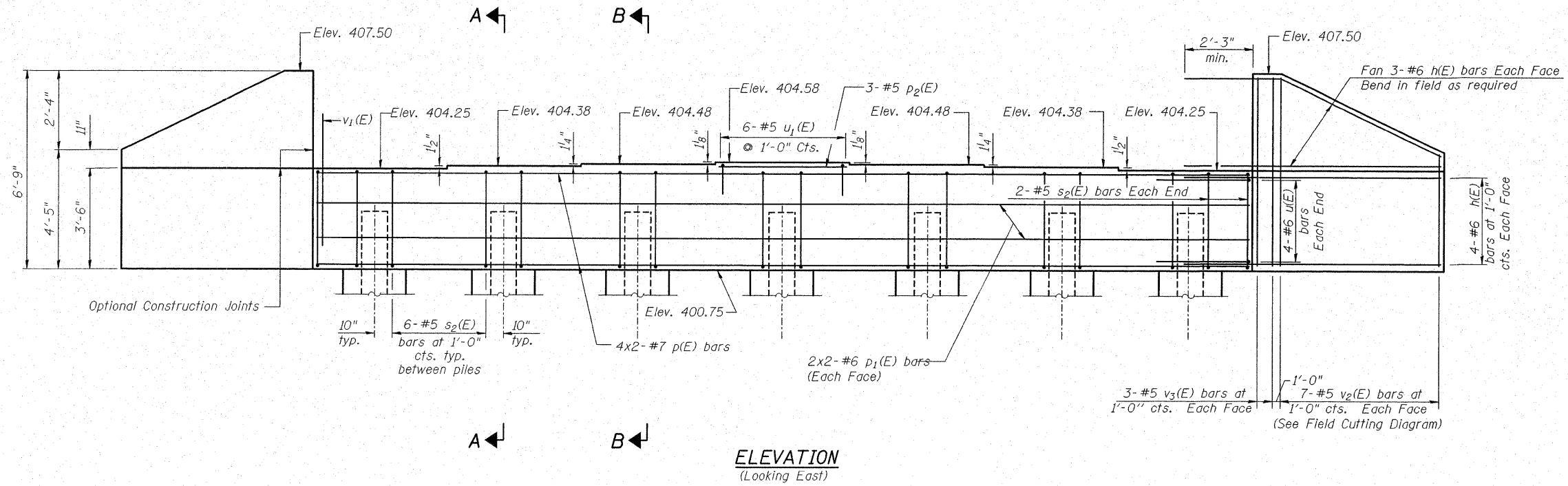
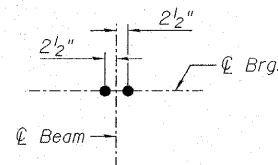


Notes: Four steps monolithically with cap.

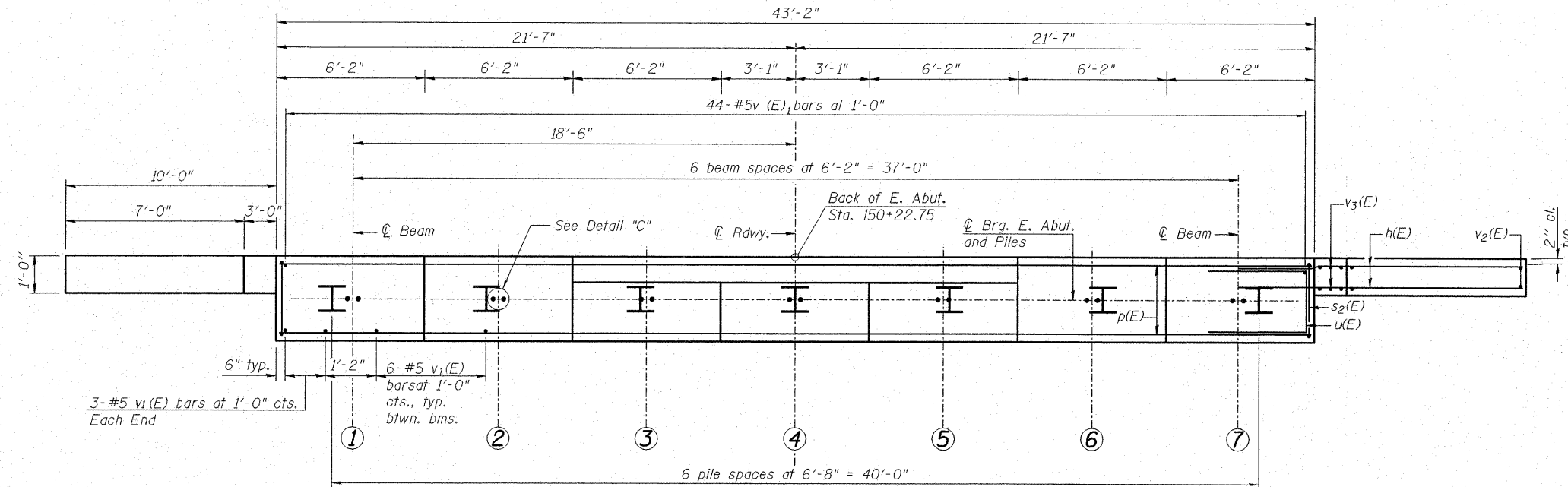
STATE OF ILLINOIS
DEPARTMENT OF TRANSPORTATION



ELEVATION
(Looking East)



DETAIL "C"



PLAN

MIN. BAR LAP

#6 bars = 2'-7"
#7 bars = 3'-5"

Notes:

See Sheet No. 18 of 28 for Section A-A and B-B.

See Sheet No. 18 of 28 for East Abutment Bill of Material.

Bars indicated thus 40 x 5-#5 etc. indicates 40 lines of bars with 5 lengths per line.

PILE DATA

Type: HP 12x53
Nominal Required Bearing: 300 kips
Factored Resistance Available: 150 kips
Est. Length: 76 ft.
No. Production Piles: 6
No. Test Piles: 1
HP Pile Anchorage required for all piles, see sheet 18 of 28

DESIGNED	DB
CHECKED	RS
DRAWN	ER
CHECKED	WWH

Juneau Associates, Inc. P.C.
CONSULTING ENGINEERS AND LAND SURVEYORS

2100 State Street
Granite City, Illinois 62040
Phone: (618) 677-1400
Fax: (618) 452-5541
Registered Professional Service Corporation License No. 184-008389

100 North Research Drive
Edwardsville, Illinois 62025
Phone: (618) 659-0900/(618) 659-4800
Fax: (618) 659-0441

EAST ABUTMENT
ILLINOIS ROUTE 4/15 OVER
KASKASKIA OVERFLOW
F.A.P. ROUTE 817 SEC 421B-1
ST. CLAIR COUNTY
STATION 149+50.00
STRUCTURE NO. 082-0275

SHEET NO. 17	F.A.P. RTE.	SECTION	COUNTY	TOTAL SHEETS	SHEET NO.
	817	421B-1	ST. CLAIR	56	36
28 SHEETS	STRUCTURE NO. 082-0275		CONTRACT NO. 76885		
FED. ROAD DIST. NO.		ILLINOIS FED. AID PROJECT			