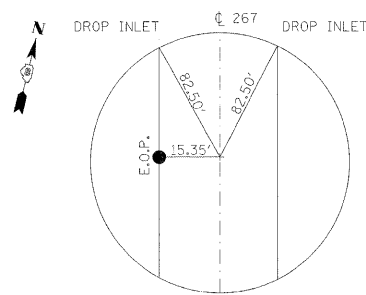
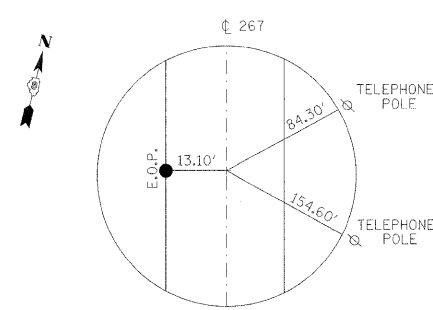


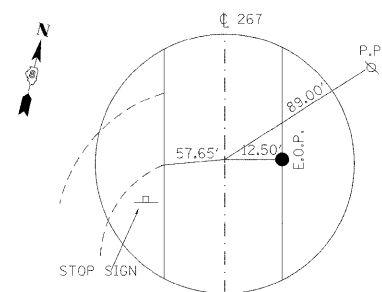
STA. 66+81.70



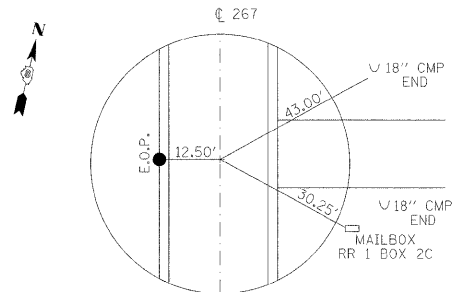
STA. 85+20.00



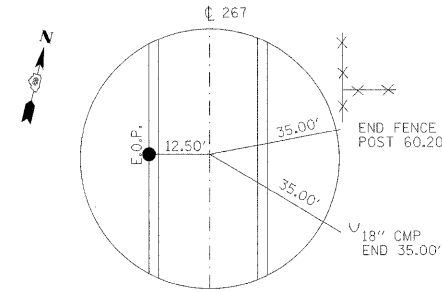
P.C. STA. 96+82.07



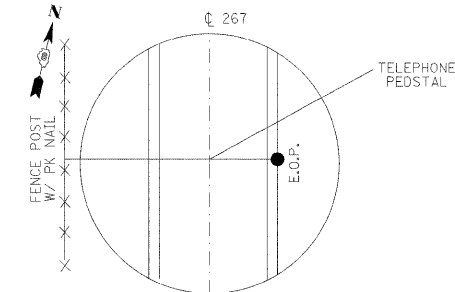
P.C.C. STA. 98+65.00



P.T. STA. 103+00.41



P.T. STA. 110+44.83



STA. 113+22.85

BENCH MARKS

STA. 85+92.00
S.N. 031-0018

CHLD BOX ON S.E. WINGWALL
ELE. 512.9639

FILE NAME =	USER NAME = manntm	DESIGNED -	REVISED -	STATE OF ILLINOIS DEPARTMENT OF TRANSPORTATION	TIE POINTS & BENCH MARKS				F.A.P. RTE.	SECTION	COUNTY	TOTAL SHEETS	SHEET NO.
es:\pwork\pwork\manntm\dms51659\pin032008a.dgn		DRAWN -	REVISED -		10	410BR-1	GREENE	37	5				
PLOT SCALE = 20,0000' / IN.		CHECKED -	REVISED -		CONTRACT NO. 76B58								
PLOT DATE = 10/16/2008		DATE -	REVISED -		SCALE:	SHEET NO.	OF	SHEETS	STA.	TO STA.	FED. ROAD DIST. NO.	ILLINOIS FED. AID PROJECT	