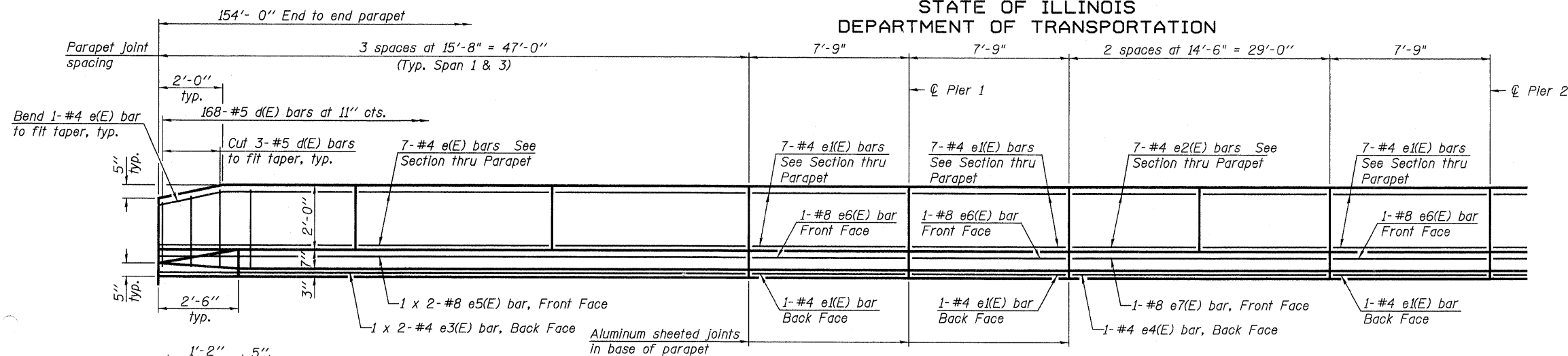
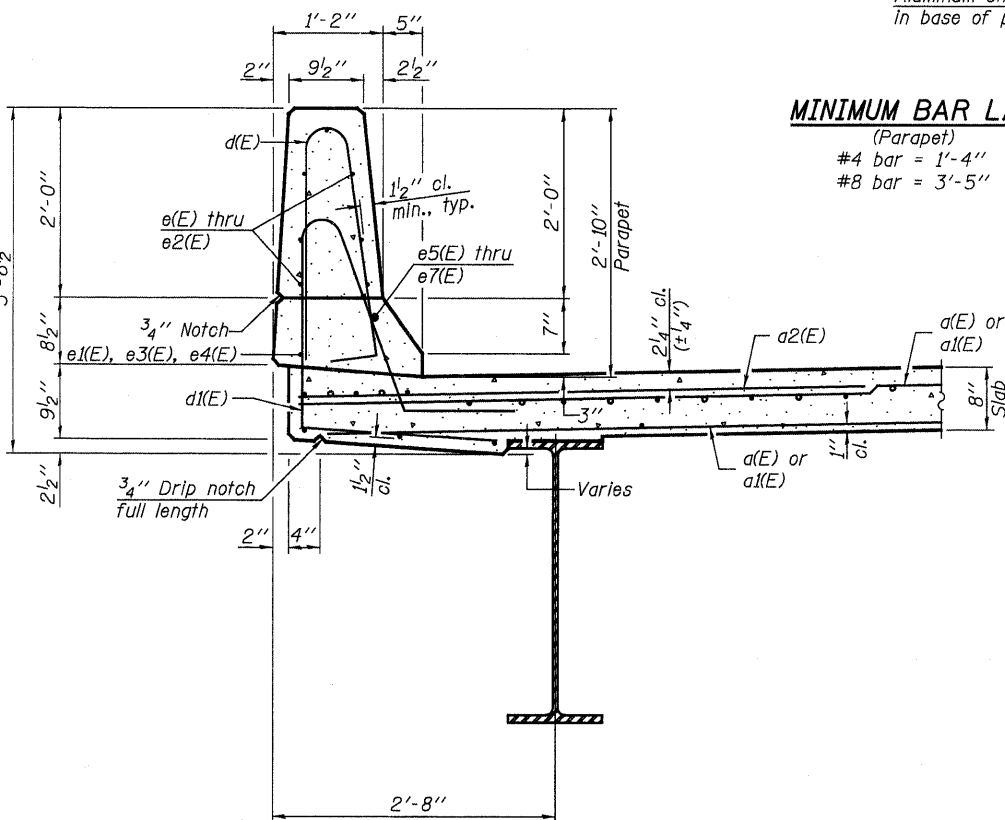


STATE OF ILLINOIS
DEPARTMENT OF TRANSPORTATION

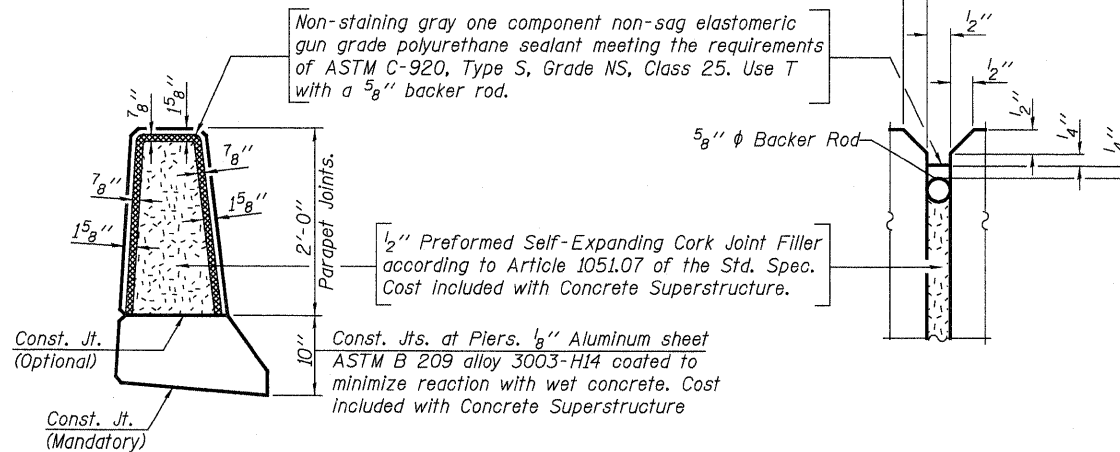


INSIDE ELEVATION OF PARAPET

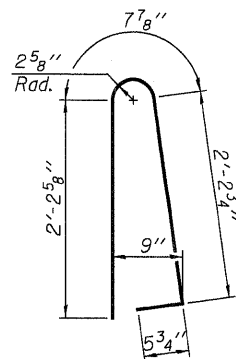
MINIMUM BAR LAP
(Parapet)
#4 bar = 1'-4"
#8 bar = 3'-5"



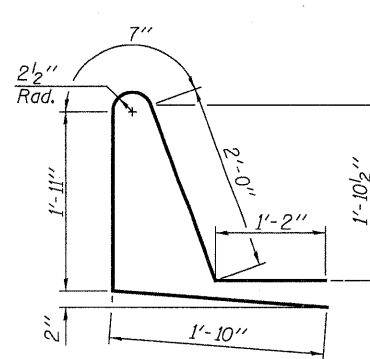
SECTION THRU PARAPET



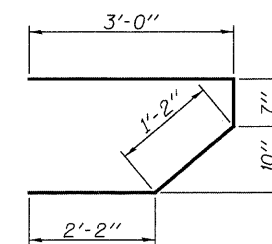
PARAPET JOINT DETAILS



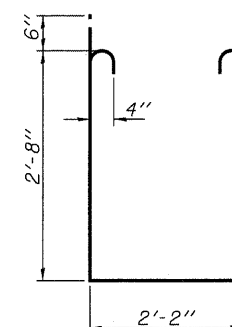
BAR d(E)



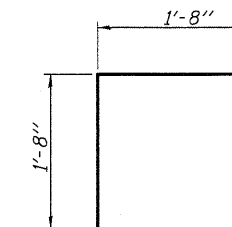
BAR d1(E)



BAR s(E)



BAR s1(E)



BAR v(E)

**SUPERSTRUCTURE
BILL OF MATERIAL**

Bar	No.	Size	Length	Shape
a(E)	470	#5	15'-4"	—
a1(E)	470	#5	19'-10"	—
a2(E)	570	#6	6'-0"	—
b(E)	234	#5	27'-5"	—
b1(E)	72	#6	20'-0"	—
b2(E)	155	#5	32'-6"	—
d(E)	336	#5	5'-7"	U
d1(E)	336	#5	7'-6"	U
e(E)	84	#4	15'-4"	—
e1(E)	64	#4	7'-5"	—
e2(E)	28	#4	14'-2"	—
e3(E)	8	#4	24'-0"	—
e4(E)	2	#4	28'-8"	—
e5(E)	8	#8	25'-1"	—
e6(E)	8	#8	7'-5"	—
e7(E)	2	#8	28'-8"	—
m(E)	4	#6	14'-7"	—
m1(E)	6	#6	15'-6"	—
m2(E)	12	#6	8'-9"	—
m3(E)	10	#6	5'-10"	—
m4(E)	4	#6	2'-4"	—
m5(E)	6	#6	20'-0"	—
m6(E)	4	#6	19'-1"	—
s(E)	72	#5	6'-11"	⌋
s1(E)	72	#4	8'-6"	□
v(E)	68	#5	3'-4"	Γ
Reinforcement Bars, Epoxy Coated		Pound	45480	
Concrete Superstructure		Cu. Yds.	191.9	

Bars indicated thus 1 x 2-#5 etc. indicates 1 line of bars with 2 lengths per line.

**SUPERSTRUCTURE DETAILS
ILLINOIS 267 OVER
TAYLOR CREEK
STRUCTURE NO. 031-0043**

JD Johnson, Depp & Quisenberry
CONSULTING ENGINEERS
Springfield, Illinois

DESIGNED: JDQ DRAWN: PTR
CHECKED: DCD CHECKED: DCD

S-I-D 5-16-08

SHEET 9 OF 19	F.A.P. RTE.	SECTION	COUNTY	TOTAL SHEETS	SHEET NO.
	10	410BR-1	GREENE	37	21
STA. 85+20.50		CONTRACT NO. 76B58			
FED. ROAD DIST. NO.		ILLINOIS FED. AID PROJECT			