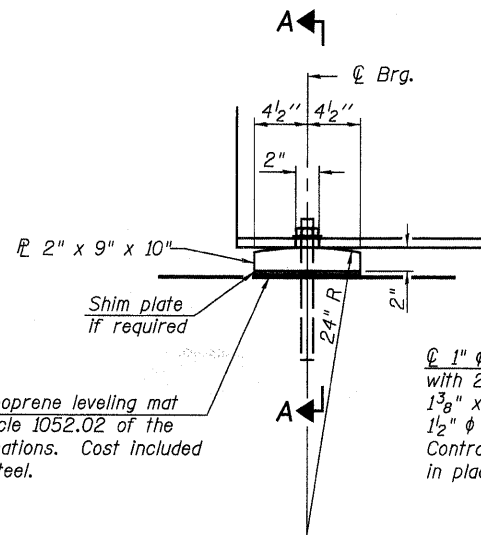


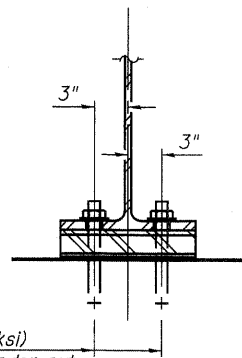
STATE OF ILLINOIS
DEPARTMENT OF TRANSPORTATION



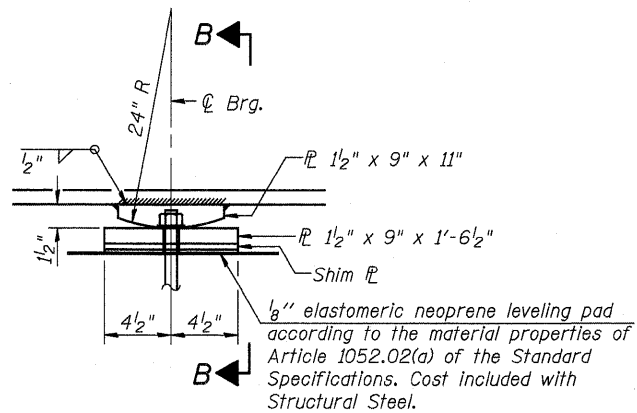
ELEVATION AT ABUTMENT

FIXED BEARING

1" ϕ x 12" anchor bolts (Gr. 36 ksi) with 2 1/4" x 2 1/4" x 5/16" PL washer under nut. 1 3/8" x 2" slotted hole in flange. 1 1/2" ϕ holes in bearing plate. Contractor has the option of cast in place or drilled installation.

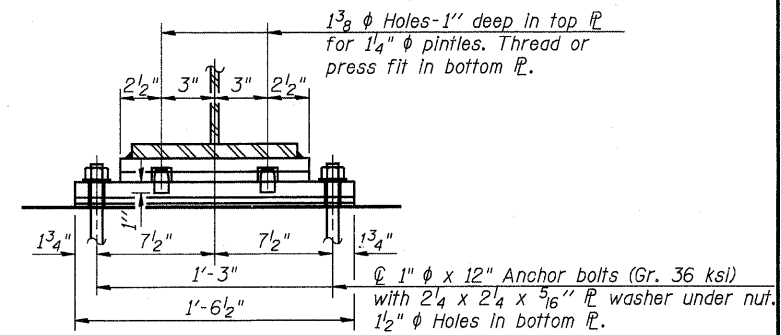


SECTION A-A

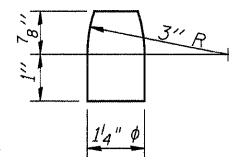


ELEVATION AT PIER

FIXED BEARING



SECTION B-B



PINTLE

Notes:

Anchor bolts shall be ASTM F1554 all-thread (or an Engineer-approved alternate material) of the grade(s) and diameter(s) specified. ASTM A307 Grade C anchor bolts may be used in lieu of ASTM F1554 Grade 36 (Fy=36ksi). The corresponding specified grade of AASHTO M314 anchor bolts may be used in lieu of ASTM F1554.

Anchor bolts at fixed bearings may be either cast in place or installed in holes drilled after the supported member is in place.

Drilled and set anchor bolts shall be installed according to Article 521.06 of the Standard Specifications.

Structural Steel for bearings shall be AASHTO M270 Gr. 50W.

Two 1/8 in. adjusting shims shall be provided for each bearing in addition to all other plates or shims and placed as shown on bearing details.

BILL OF MATERIAL

Item	Unit	Total
Anchor Bolts, 1"	Each	48

JD Johnson, Depp & Quisenberry
CONSULTING ENGINEERS
Springfield, Illinois

DESIGNED: JDQ	DRAWN: SJS
CHECKED: DCD	CHECKED: DCD

BEARING DETAILS
ILLINOIS 267 OVER
TAYLOR CREEK
STRUCTURE NO. 031-0043

SHEET 12 OF 19	F.A.P. RTE.	SECTION	COUNTY	TOTAL SHEETS	SHEET NO.
	10	410BR-1	GREENE	37	24
	STA. 85+20.50		CONTRACT NO. 76B58		
FED. ROAD DIST. NO.		ILLINOIS FED. AID PROJECT			

DATE: 10/07/2008 15:06:19 USER: DCD FILE: J:\JDD\110163 IL-08VVV8 IL 267 Taylor Creek-FINAL\1-TaylorCreek\...igs.dgn