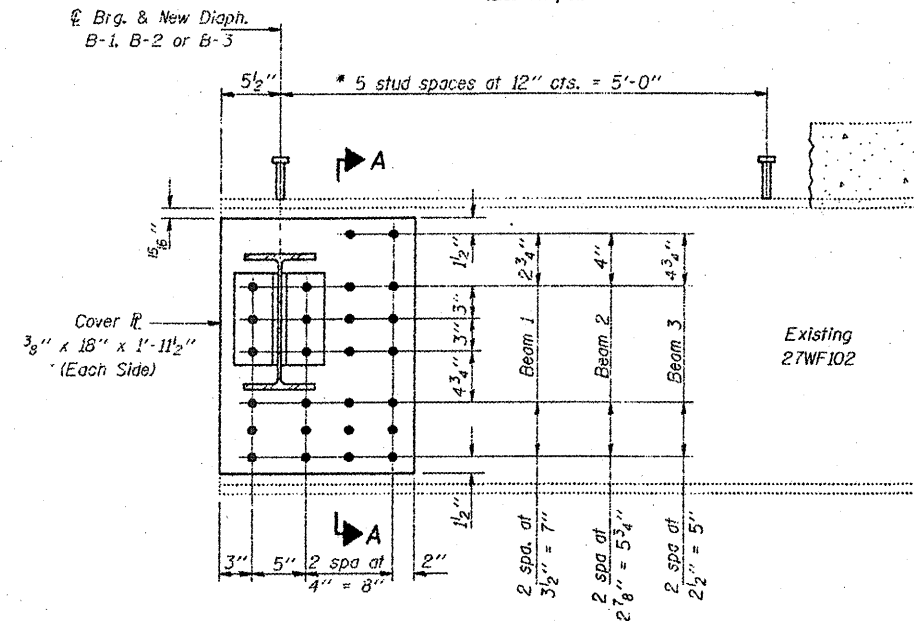


STATE OF ILLINOIS
DEPARTMENT OF TRANSPORTATION

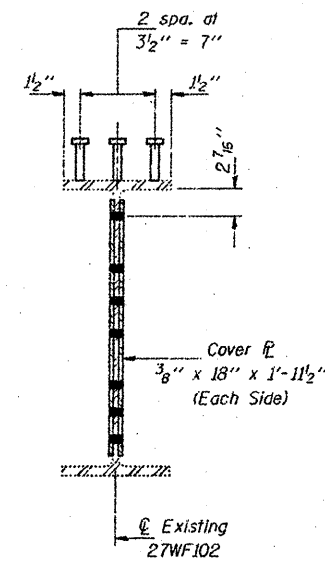
VARIOUS ROUTES
D9 BRIDGE PAINTING FY 09-1
VARIOUS COUNTIES
CONTRACT 78093
FOR INFORMATION ONLY
SHEET 8 OF 31

* $\frac{3}{4}$ " ϕ x 4" granular or solid flux filled headed studs automatically end welded in accordance with Art. 706.32 of the Std. Specs. (216 Req'd.)

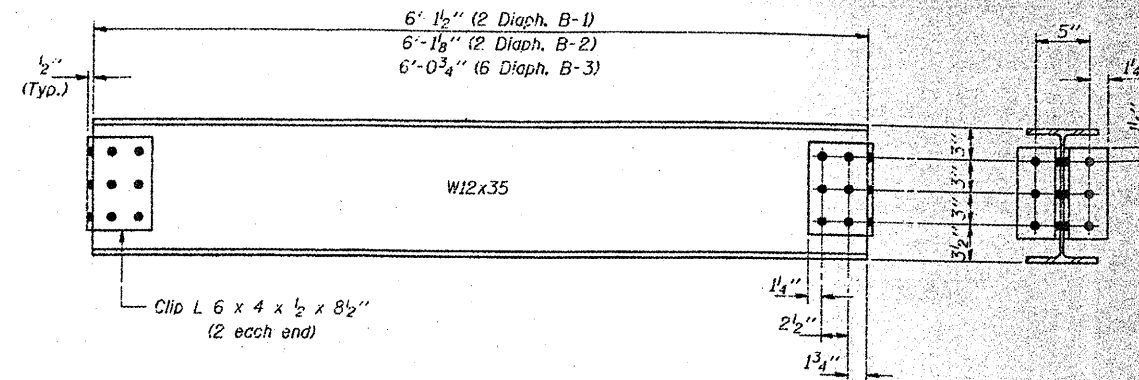


**ELEVATION
BEAM END REPAIR**

**REPAIR A
(8 Locations)**

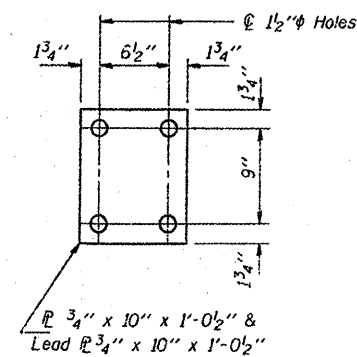


SECTION A-A



**REPLACEMENT DIAPHRAGMS
(Number Req'd. = 10)**

REPAIR B



**ANCHOR PL
(Number Req'd. = 4)
See Sheet 2 for location.**

DESIGNED	NJS	DECEMBER 8 19 94
CHECKED	KPS	EXAMINED <i>John E. Alcorn</i> ENGINEER OF STRUCTURAL SERVICES
DRAWN	D-Herbert	PASSED
CHECKED	NJS KPS	ENGINEER OF BRIDGES AND STRUCTURES

**BRIDGE REPAIRS
STRUCTURAL STEEL DETAILS
F.A. RTE. 35 (IL 146) SEC. 11-B-1
HARDIN COUNTY
S.N. 035-0011**

BRIDGE NO. 1