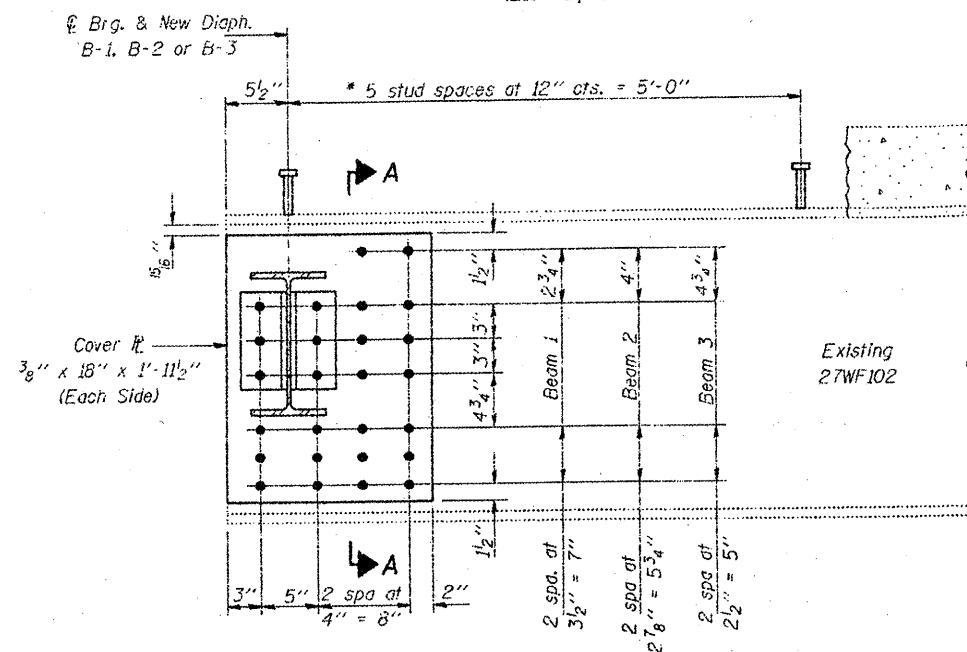


STATE OF ILLINOIS  
DEPARTMENT OF TRANSPORTATION

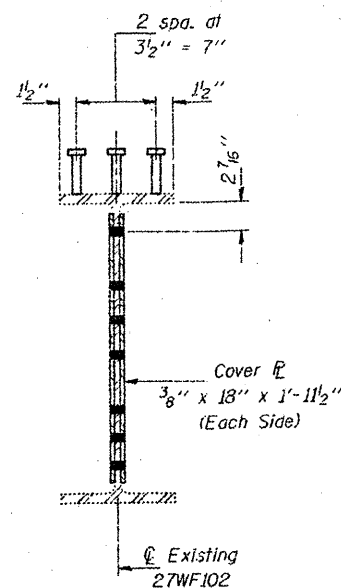
VARIOUS ROUTES  
D9 BRIDGE PAINTING FY 09-1  
VARIOUS COUNTIES  
CONTRACT 78093  
FOR INFORMATION ONLY  
SHEET 10 OF 31

\*  $\frac{3}{4}$ "  $\phi$  x 4" granular or solid flux filled headed studs automatically end welded in accordance with Art. 706.32 of the Std. Specs. (2.16 Req'd.)

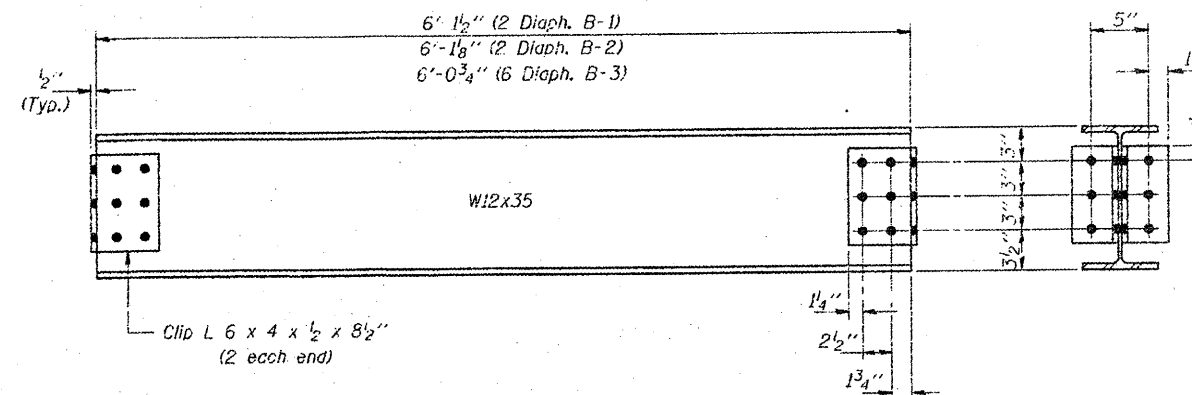


**ELEVATION  
BEAM END REPAIR**

**REPAIR A  
(8 Locations)**



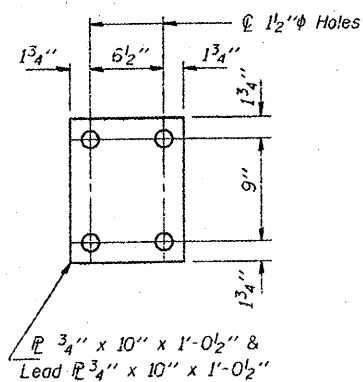
**SECTION A-A**



**REPLACEMENT DIAPHRAGMS**

(Number Req'd. = 10)

**REPAIR B**



**ANCHOR  $\phi$**

(Number Req'd. = 4)  
See Sheet 2 for location.

DESIGNED	NJS	DECEMBER 8	19 94
CHECKED	KPS	EXAMINED	<i>Scott E. Adams</i> ENGINEER OF STRUCTURAL SERVICES
DRAWN	D-terbert	PASSED	
CHECKED	NJS KPS		ENGINEER OF BRIDGES AND STRUCTURES

BRIDGE NO. 1

**BRIDGE REPAIRS  
STRUCTURAL STEEL DETAILS  
F.A. RTE. 35 (IL 146) SEC. 11-B-1  
HARDIN COUNTY  
S.N. 035-0011**