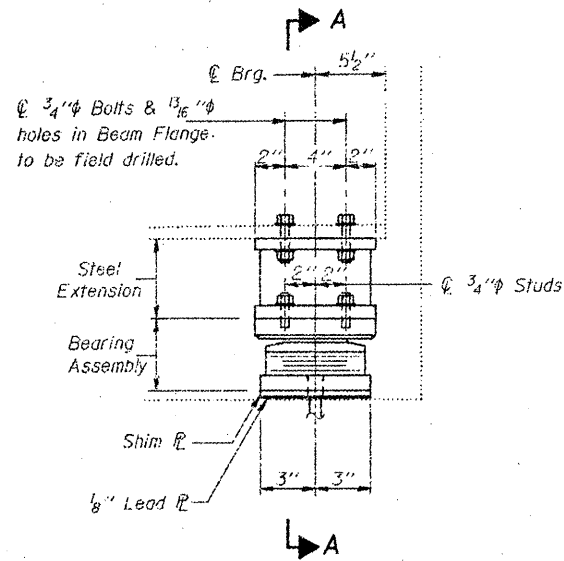


STATE OF ILLINOIS
DEPARTMENT OF TRANSPORTATION

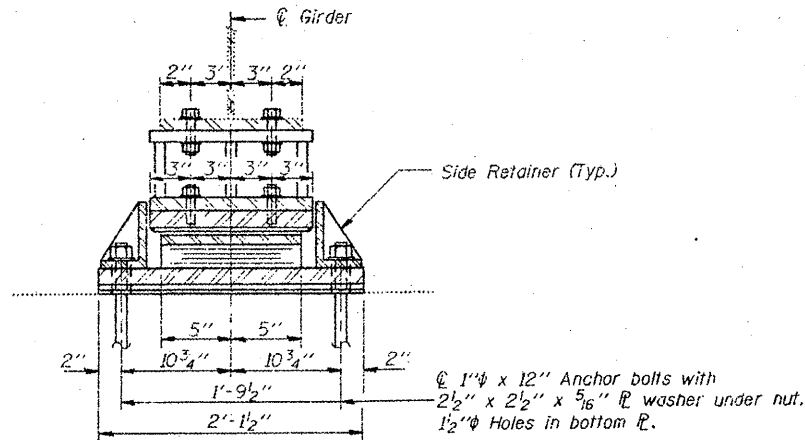
GIRDER REACTIONS

RF	(K)	15.0
RL	(K)	29.3
Imp.	(K)	8.8
R (Total)	(K)	53.1

VARIOUS ROUTES
D9 BRIDGE PAINTING FY 09-1
VARIOUS COUNTIES
CONTRACT 78093
FOR INFORMATION ONLY
SHEET 12 OF 31



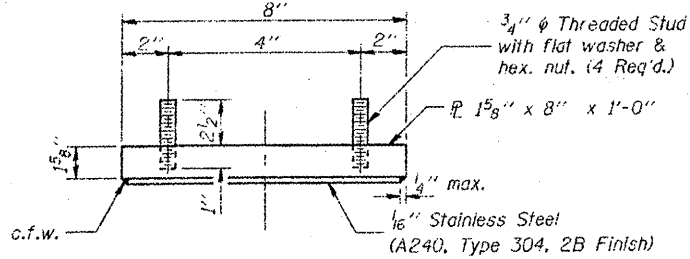
ELEVATION AT SOUTH ABUTMENT



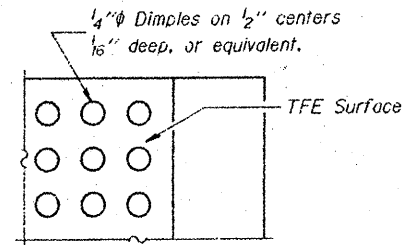
SECTION A-A

Notes: Diaphragm removal and replacement may be required to facilitate drilling holes for Anchor Bolts. Cost is incidental to "Furnishing and Erecting Structural Steel".
New steel extensions, side retainers, lead plates, connection bolts and anchor bolts are included in "Furnishing and Erecting Structural Steel".
See sheet 7 for Anchor Bolt installation.
Prior to ordering any material, the Contractor shall verify in the field all bearing height and shim thickness dimensions.

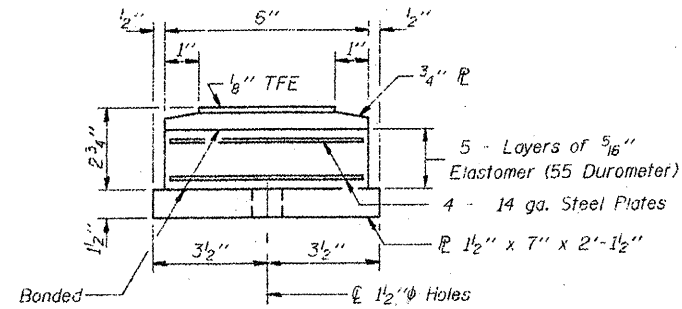
TYPE II TFE ELASTOMERIC EXP. BRG.



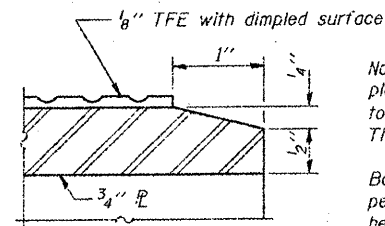
TOP BEARING ASSEMBLY



PLAN-TFE SURFACE



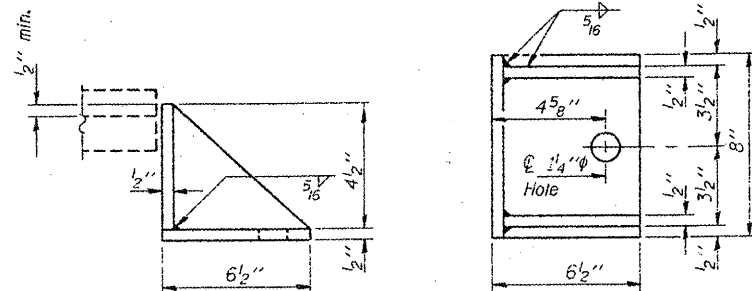
BOTTOM BEARING ASSEMBLY



SECTION THRU TFE

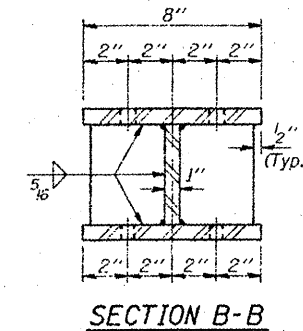
Note: The 1/8" TFE sheet shall be bonded directly to the top steel plate with a two-component, medium viscosity epoxy resin, conforming to the requirements of the Federal Specification MMM-A-134, Type I. The bond agent shall be applied on the full area of the contact surfaces.

Bonding of 1/8" TFE sheet during vulcanizing process will be permitted provided the process and method of adjusting assembly height is approved by the Engineer.

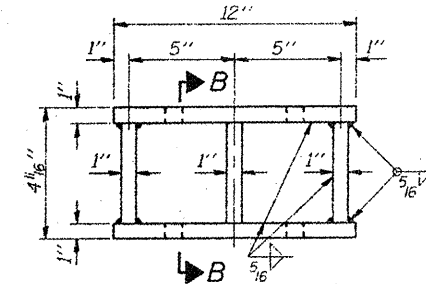


SIDE RETAINER

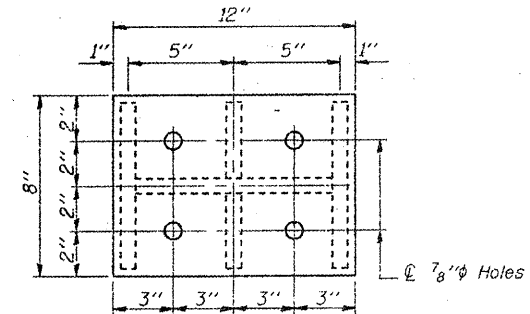
Equivalent rolled angle with stiffeners will be allowed in lieu of welded plates.



SECTION B-B



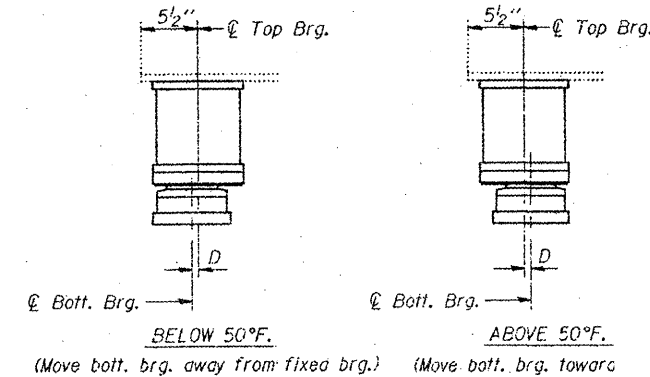
STEEL EXTENSION DETAIL



PLAN BOTTOM PLATE

BILL OF MATERIAL

Item	Unit	Total
Elastomeric Bearing Assembly Type II	Each	6



SETTING ANCHOR BOLTS AT EXP. B)

D=1/8" per each 100' of expansion for every 15° temp change from the normal temp. of 50°F.

BRIDGE NO. 1

DESIGNED	NJS	DECEMBER 8	19 94
CHECKED	KPS	EXAMINED	<i>Todd E. Adams</i>
DRAWN	DHerbert	PASSED	
CHECKED	NJS KPS		

SOUTH ABUTMENT
TYPE II BEARING REPLACEMENT
F.A. RTE. 35 (IL 146) SEC. 11-B-1
HARDIN COUNTY
S.N. 035-0011