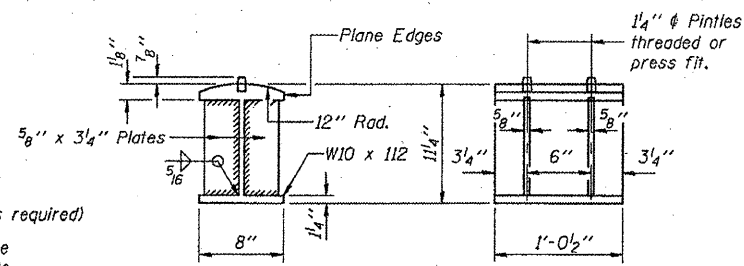
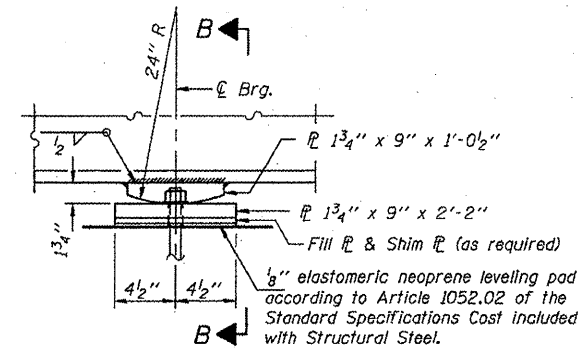


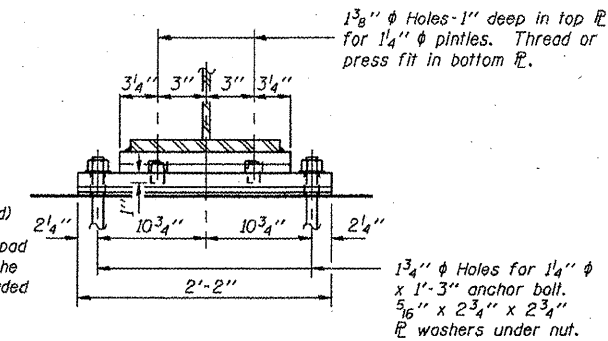
ELEVATION AT PIER 1



DETAIL OF BOLSTER



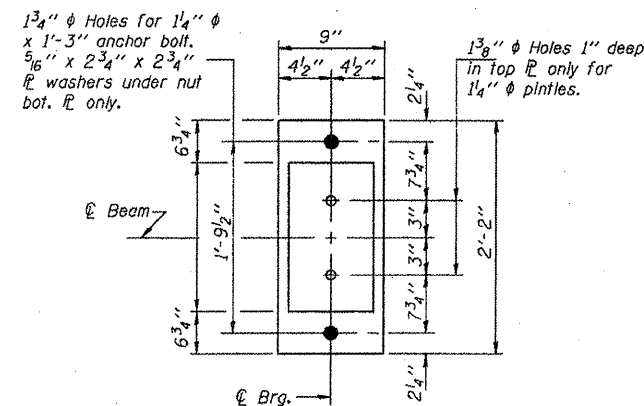
ELEVATION AT PIER 2



SECTION B-B

FIXED BEARING AT PIER 1

(8 Required at Existing & New Beams)



PLAN AT PIER 1

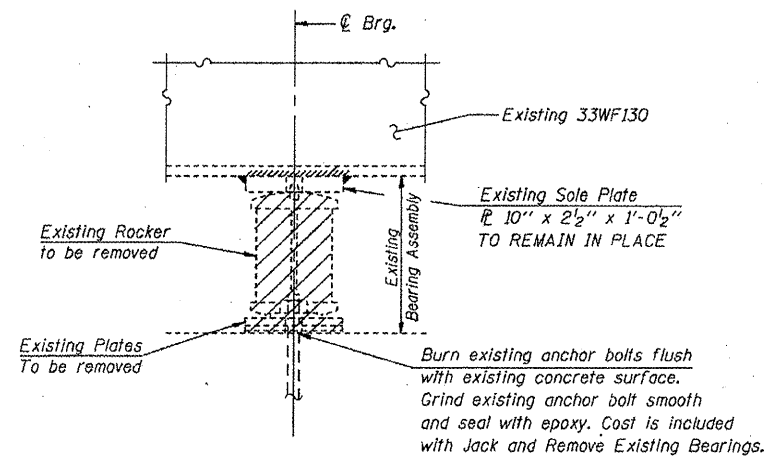
FILL PL'S AT BOTH PIERS

	Beam 1A	Beams 1 thru 6	Beam 6A
Thickness	—	—	1 3/4"

Dimension same as bottom bearing plate.

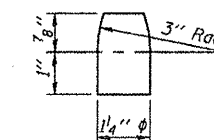
FIXED BEARING AT PIER 2

(2 Required at New Beams 1A & 6A)



EXISTING BEARING REMOVAL AT PIER 1

Reaction @ Pier 1 = 10 kips (Wt. of steel only)
Min. Jack Capacity @ Abuts. = 8 tons



DETAIL OF PINTLE

BILL OF MATERIAL

Item	Unit	Total
Jack and Remove Existing Bearings	Each	6

BEARING DETAILS PIERS

IL ROUTE 15 OVER SEVEN MILE CREEK
F.A.P. ROUTE 821 SECTION (15-2)BR
JEFFERSON COUNTY
STA. 129+81.00
S.N. 041-0027

CUMMINS ENGINEERING CORPORATION

JOB #: 2175
FILE: 2175brg
DATE: 4/10/06

DESIGNED	Ruben V. Boehler
CHECKED	Tim S. Howard
DRAWN	TSH / RVB
CHECKED	Michael D. Cummins

Notes: Diaphragm removal and replacement may be required to facilitate drilling holes. Cost shall be included with Furnishing and Erecting Structural Steel.
Cost of bearing PL's, bolsters, shim PL's, fill PL's, pintles and anchor bolts are included with Furnishing and Erecting Structural Steel.
See sheet 18 of 19 for Anchor Bolt Installation.
Prior to ordering any material, the Contractor shall verify in the field all bearing height and shim thickness dimensions.

BRIDGE NO. 2