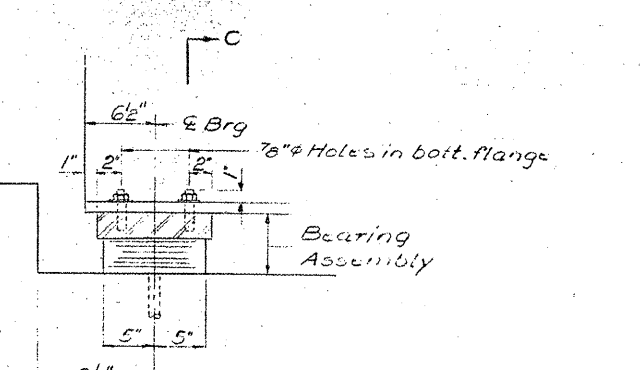
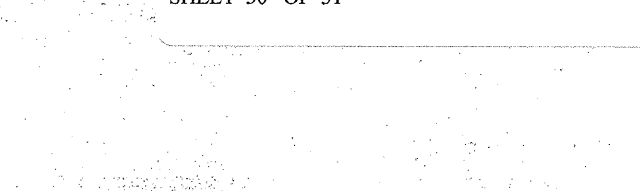
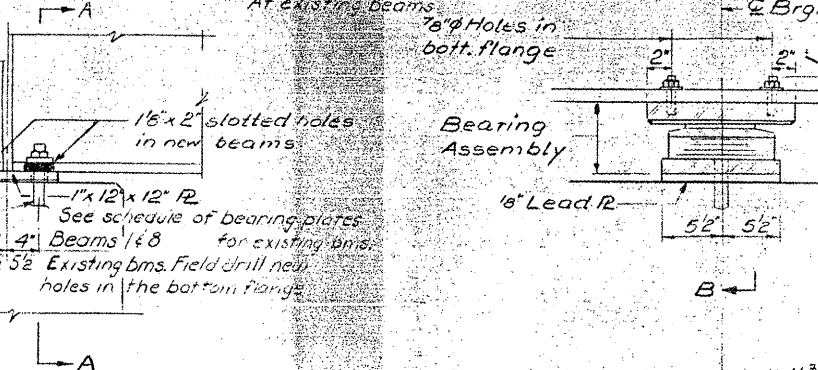
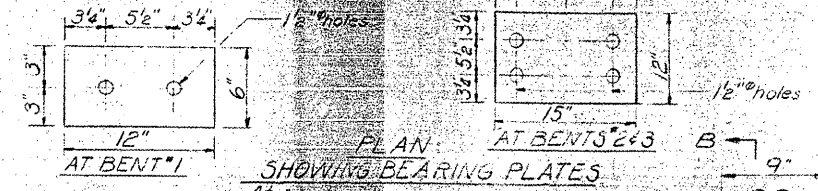
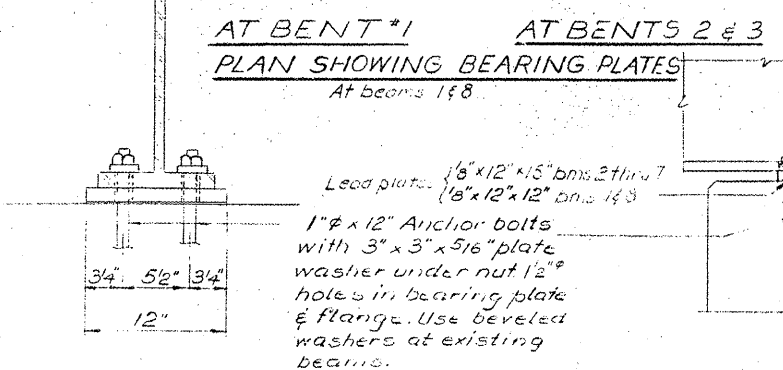
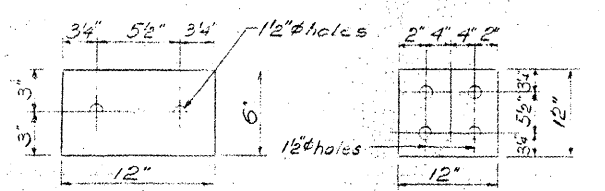
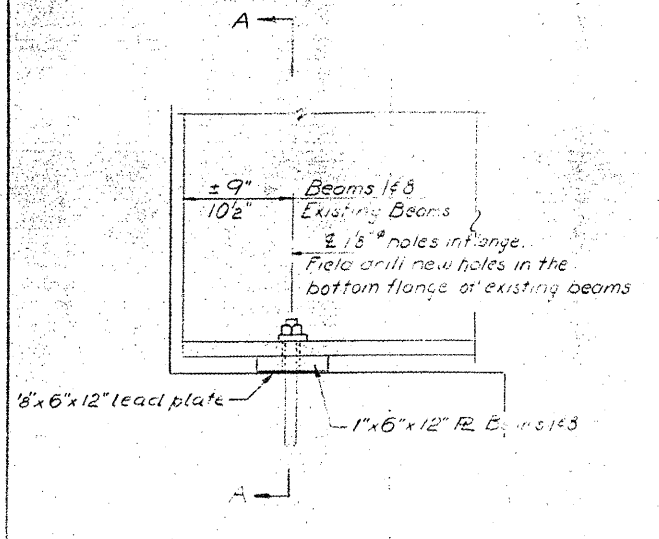


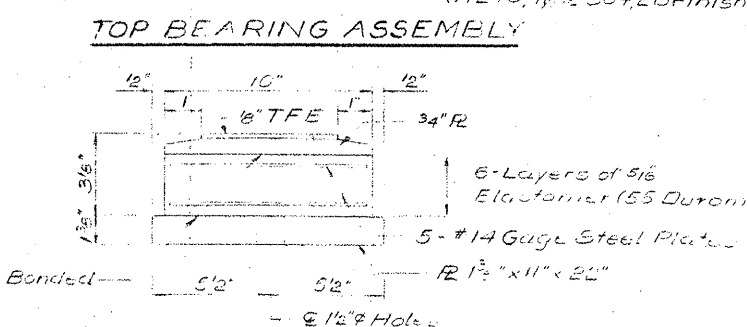
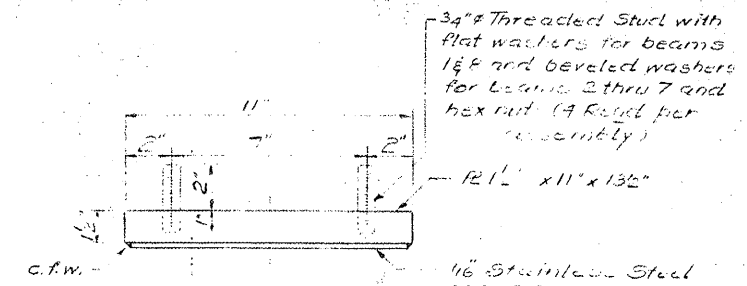
STATE OF ILLINOIS
DEPARTMENT OF TRANSPORTATION

VARIOUS ROUTES
D9 BRIDGE PAINTING FY 09-1
VARIOUS COUNTIES
CONTRACT 78093
FOR INFORMATION ONLY
SHEET 30 OF 31



BENT # 1

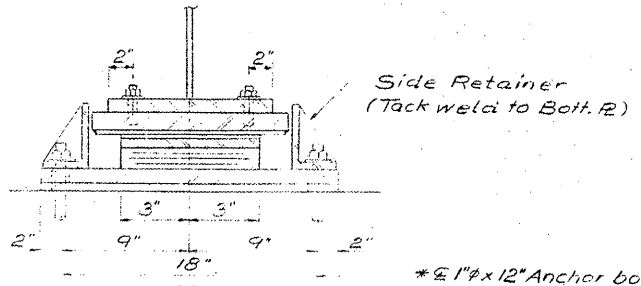
See schedule for location & size of new bearing plates under existing beams.



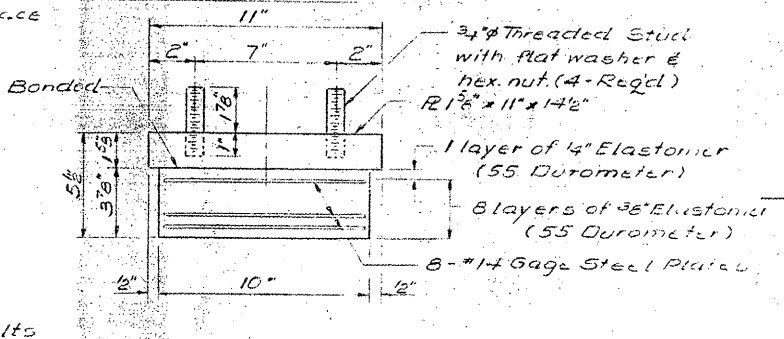
SCHEDULE OF BEARING PLATE REPLACEMENT UNDER EXIST. BEAMS

Location	Bm. 2	Bm. 3	Bm. 4	Bm. 5	Bm. 6	Bm. 7
Bent #1 (N. Abut.)			R 24x6x12			R 34x8x12
Bent #2				R 24x12x15		
Bent #3			R 24x12x15	R 24x12x15	R 12x12x15	
** Bent #4						

** See special provisions for Jack and replace existing bearings.



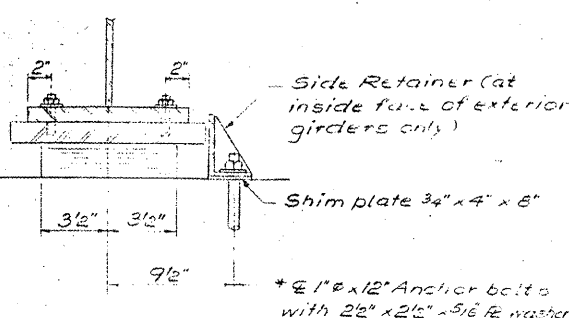
SECTION B-B



Note: Shim plates shall not be placed under Type I Bearing Assembly

BENT # 4

(Looking North)



SECTION C-C

TYPE II TFE ELASTOMERIC EXP BRG.

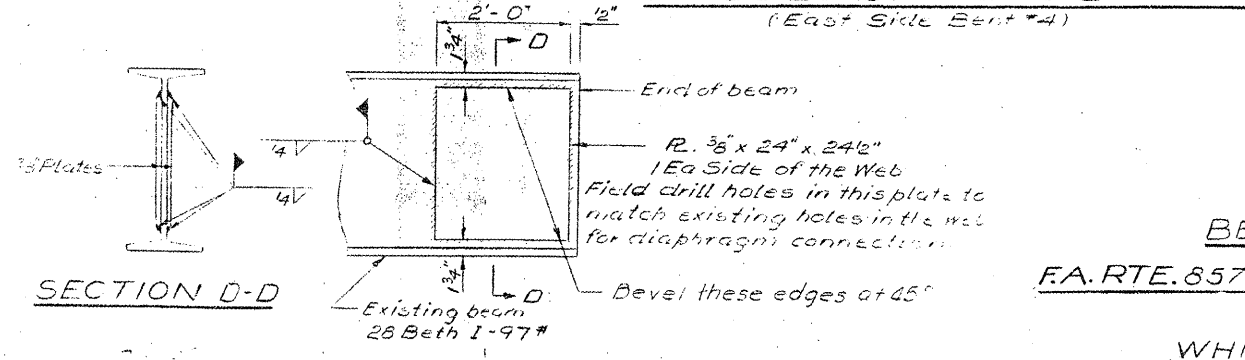
(WEST SIDE BENT #4)
Note: See sheet #12 for TFE Details

SCHEDULE OF WEB REPAIR

Location	Beams to be repaired
Bent #1 (N. Abut.)	Beams 2 and 7 - span 1
Bent #2	Beams 2 and 7 - span 2 & 3
Bent #3	No web repair anticipated
Bent #4	Beams 2, 3, 4, 5, 6 & 7 - Span 3

See special provisions for web repair.

TYPE I ELASTOMERIC EXP BRG



WEB REPAIRS OF EXISTING BEAMS

(See special provisions)

BEARINGS

FA. RTE. 857-SECTION 101 BR-2

WHITE COUNTY

STA. 268 + 25.75

DESIGNED	Jan 13 1981
CHECKED	
DRAWN	
CHECKED	

EXAMINED	Jan 13 1981
PASSED	
APPROVED	

BRIDGE NO. 4