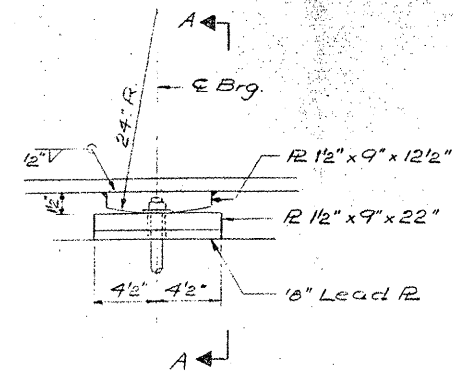


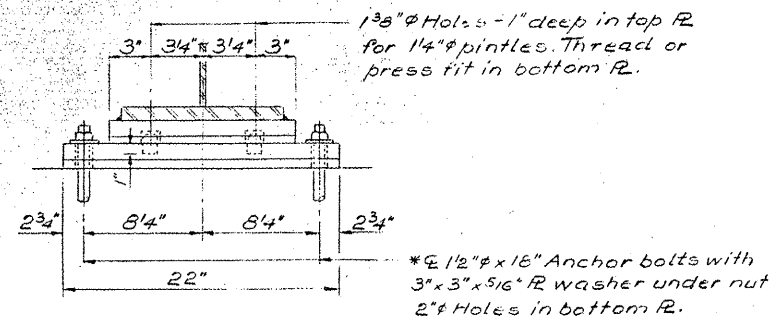
STATE OF ILLINOIS
DEPARTMENT OF TRANSPORTATION

VARIOUS ROUTES
D9 BRIDGE PAINTING FY 09-1
VARIOUS COUNTIES
CONTRACT 78093
FOR INFORMATION ONLY
SHEET 31 OF 31

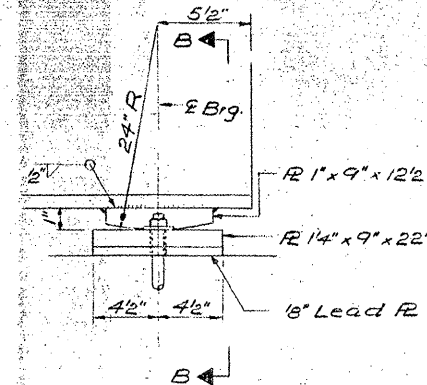


ELEVATION

FIXED BEARING
Bent #5

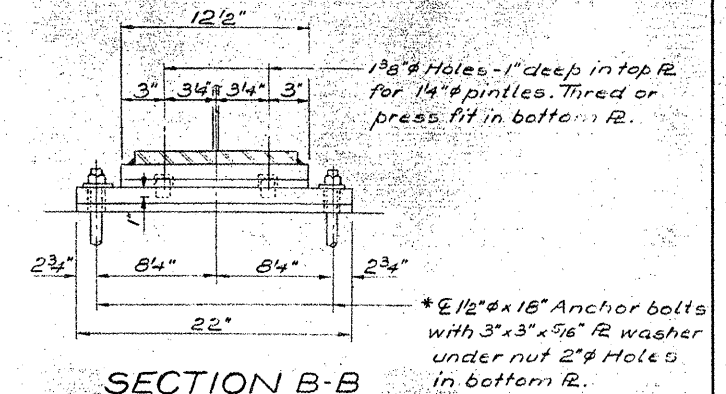


SECTION A-A

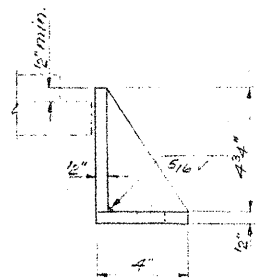


ELEVATION

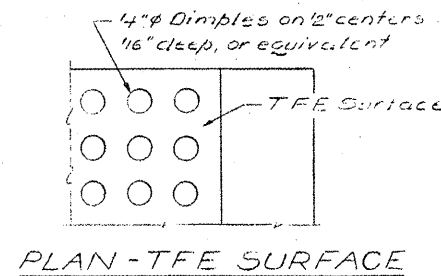
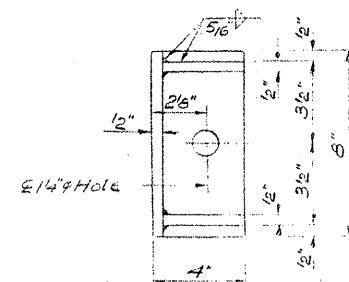
FIXED BEARING
East Abut



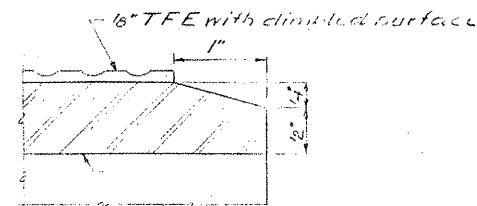
SECTION B-B



SIDE RETAINER

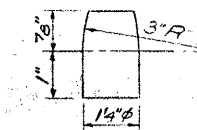


PLAN - TFE SURFACE

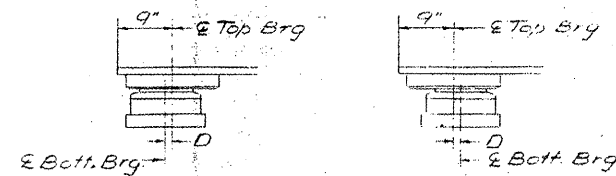


SECTION THRU TFE

* Note: After girders have been erected holes at expansion bearings shall be drilled and anchor bolts grouted in place. Anchor bolts at fixed bearings may be built into the masonry.



PINTLE



BELOW 50°F (Move bott. brg. away from fixed brg.)
ABOVE 50°F (Move both brg. toward fixed brg.)

SETTING ANCHOR BOLTS AT EXP. BRG

D-1/8\"/>

Note: The 1/8\"/>

Bonding of 1/8\"/>

DESIGNED <i>Steve Meyer</i>	EXAMINED <i>[Signature]</i>	JAN 13 1981
CHECKED <i>[Signature]</i>	PASSED	
DRAWN <i>V.H.</i>	APPROVED	
CHECKED <i>[Signature]</i>	DIRECTOR OF HIGHWAYS	