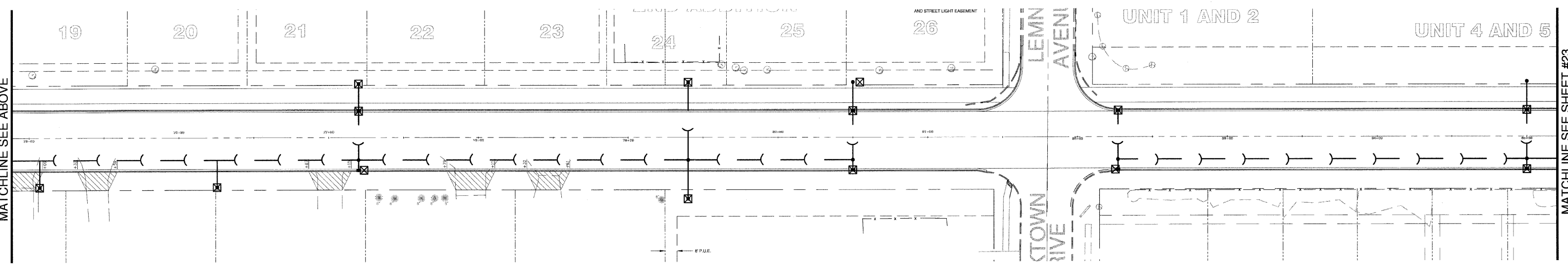
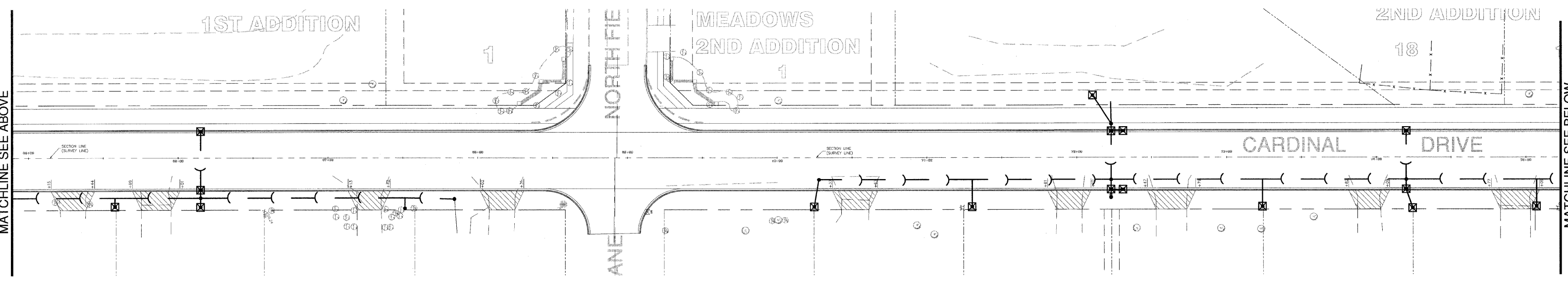
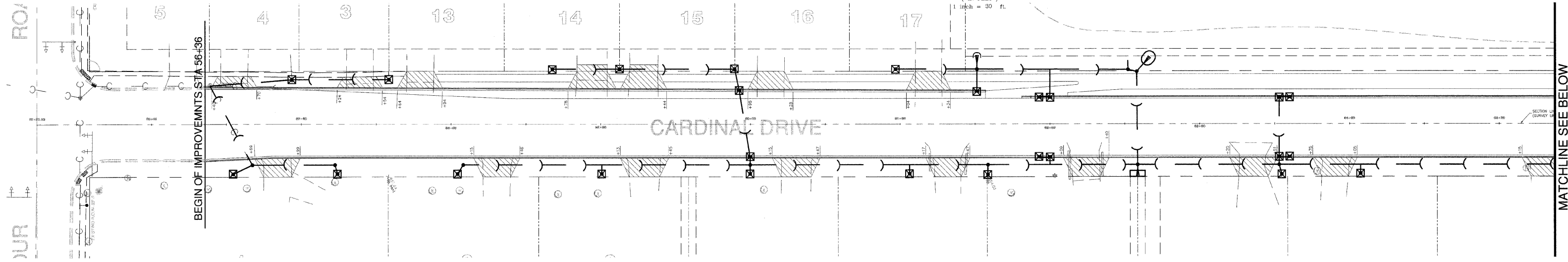
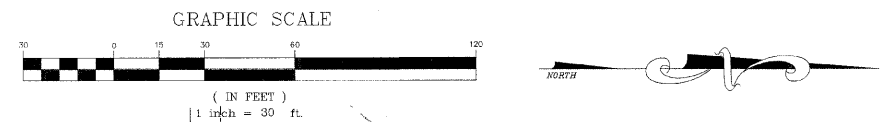


F.A.U. RTE.	SECTION	COUNTY	TOTAL SHEETS	SHEET NO.
6208	07-00093-00-RP	KANKAKEE	43	22
MG2A# M2-096		CONTRACT NO.: 87342		



MATCHLINE SEE ABOVE

MATCHLINE SEE BELOW

MATCHLINE SEE ABOVE

MATCHLINE SEE SHEET #23

MIA
 240 N. Industrial Drive
 Bradley, Illinois 60915
 815-939-4921
 FAX: 815-939-9810

M. GINGERICH, GEREAX
 & ASSOCIATES

REVISIONS		
DATE	BY	DESCRIPTION
2/11/08	AJC/JWP	PER IDOT REVIEW
3/27/08	JWP	PER IDOT REVIEW

ILLINOIS DEPARTMENT OF TRANSPORTATION
 STORMWATER POLLUTION PREVENTION PLAN SHEET
 CARDINAL DRIVE
 STA 56+36 TO STA 85+20

SCALE: 1" = 30'
 DATE: 1/4/08
 DRAWN BY: MJO/AJC
 CHECKED BY: JWP