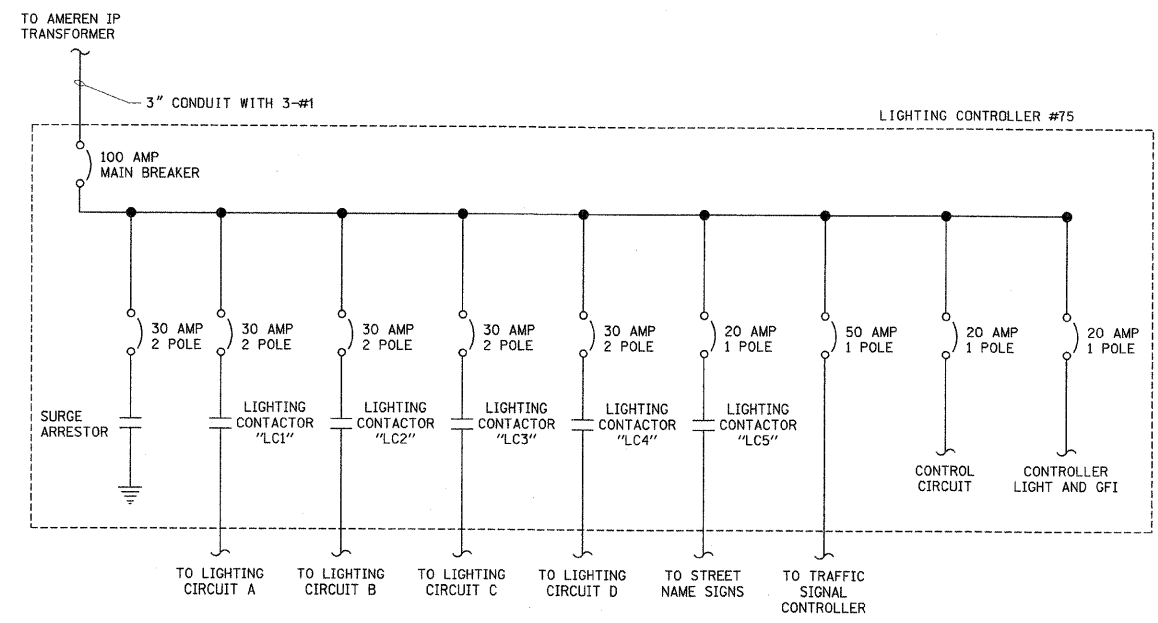
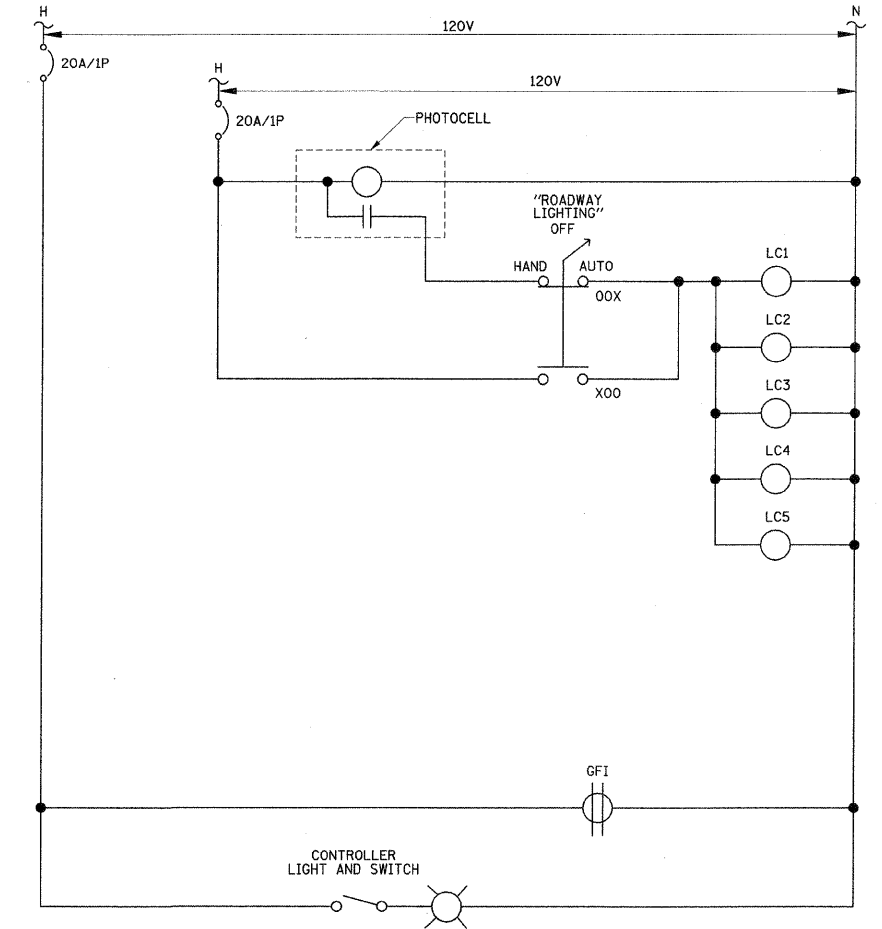


LIGHTING CONTROLLER #75 PANELBOARD SCHEDULE											
PANELBOARD	LIGHTING	MAINS		100 AMPS		LOCATION: MATTIS AVENUE STATION 493+67					
VOLTAGE	120/240	BUS RATING		100 AMPS							
PHASE/WIRE	1PH/3W	MOUNTING		INTERIOR ONLY							
DESCRIPTION	CKT. NO.	LOAD (VA)	AMPS/POLES	CKT. BKR.	CKT. BKR.	AMPS/POLES	LOAD (VA)	CKT. NO.	DESCRIPTION	CKT. NO.	DESCRIPTION
SURGE ARRESTOR	1	0				30/2	1500	2	STREET LIGHTING CIRCUIT B	3	0
	3	0				30/2	1500	4			
STREET LIGHTING CIRCUIT A	5	1500				30/2	1200	6	STREET LIGHTING CIRCUIT D	7	1500
	7	1500				30/2	1200	8			
STREET LIGHTING CIRCUIT C	9	1200				20/1	300	10	STREET NAME SIGNS	11	1200
	11	1200				20/1	500	12			
TRAFFIC SIGNAL CONTROLLER	13	3000				50/1	280	14	CONTROLLER LIGHT & GFI		
SPACE	15	0					0	16	SPACE		
SPACE	17	0					0	18	SPACE		
SPACE	19	0					0	20	SPACE		
SPACE	21	0					0	22	SPACE		
SPACE	23	0					0	24	SPACE		
SPACE	25	0					0	26	SPACE		
SPACE	27	0					0	28	SPACE		
SPACE	29	0					0	30	SPACE		
SUBTOTAL "A"		5700					3280				
SUBTOTAL "B"											3200
TOTAL VOLT-AMPERES A & B: 14,880 VA											



**LIGHTING CONTROLLER #75 ELECTRICAL ONE-LINE DIAGRAM**  
NO SCALE



**NOTE:**  
GROUND WIRE NOT SHOWN FOR CLARITY. CONTRACTOR SHALL GROUND ALL EQUIPMENT IN THE LIGHTING CONTROL CABINET AS REQUIRED BY THE 2005 NATIONAL ELECTRICAL CODE.

**LIGHTING CONTROLLER #75 CONTROL DIAGRAM**  
NO SCALE