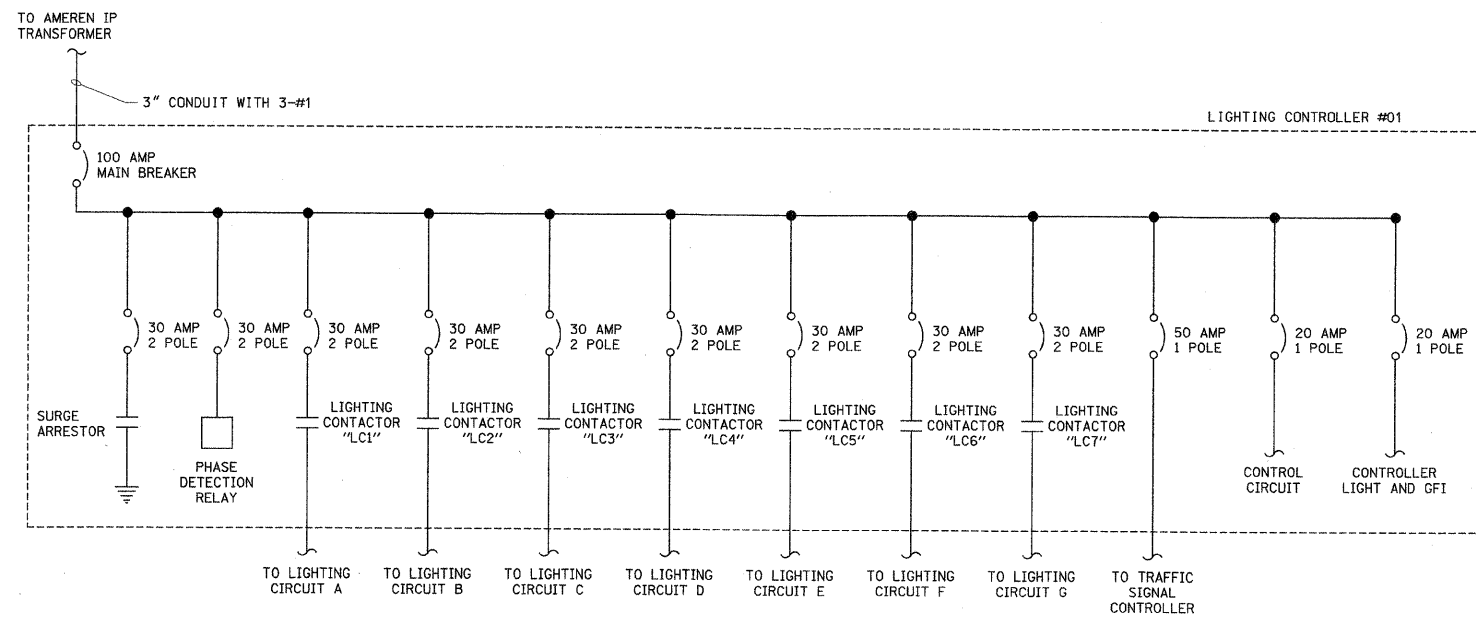
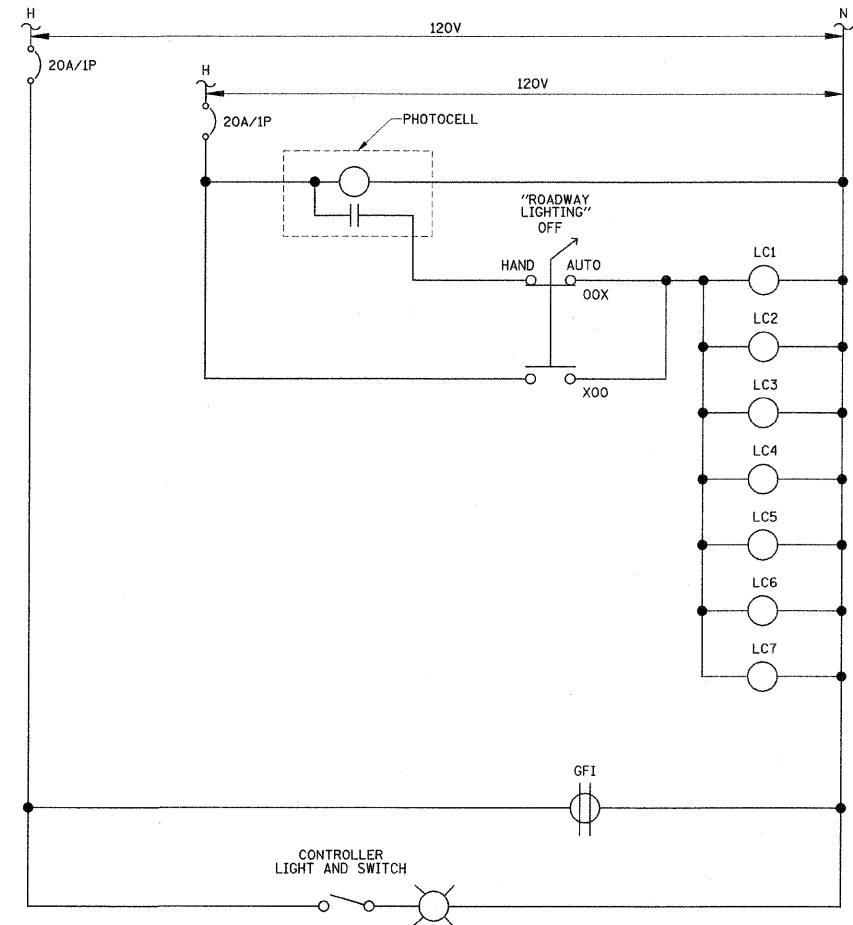


LIGHTING CONTROLLER #01 PANELBOARD SCHEDULE											
PANELBOARD LIGHTING		MAINS		100 AMPS		LOCATION: PROSPECT AVENUE STATION 657+58					
VOLTAGE 120/240		BUS RATING		100 AMPS							
PHASE/WIRE 1PH/3W		MOUNTING		INTERIOR ONLY							
DESCRIPTION	CKT. NO.	LOAD (VA)		AMPS/POLES	CKT. BKR.	CKT. BKR.	AMPS/POLES	LOAD (VA)		CKT. NO.	DESCRIPTION
		A	B					A	B		
SURGE ARRESTOR	1	0		30/2			30/2	0		2	PHASE DETECTION RELAY
	3		0						0	4	
STREET LIGHTING CIRCUIT A	5	750		30/2			30/2	750		6	STREET LIGHTING CIRCUIT B
	7		750						750	8	
STREET LIGHTING CIRCUIT C	9	750		30/2			30/2	600		10	STREET LIGHTING CIRCUIT D
	11		750						600	12	
TRAFFIC SIGNAL CONTROLLER	13	3000		50/1			20/1	280		14	CONTROLLER LIGHT & GFI
STREET LIGHTING CIRCUIT E	15		750	30/2			30/2	600		16	STREET LIGHTING CIRCUIT F
	17	750						600		18	
STREET LIGHTING CIRCUIT G	19		600	30/2			20/1	500		20	CONTROL CIRCUIT
	21	600						0		22	SPACE
SPACE	23		0					0		24	SPACE
SPACE	25	0						0		26	SPACE
SPACE	27		0					0		28	SPACE
SPACE	29	0						0		30	SPACE
SUBTOTAL "A"		5850						2230			
SUBTOTAL "B"		2850						2450			
TOTAL VOLT-AMPERES A & B: 13,380 VA											



LIGHTING CONTROLLER #01 ELECTRICAL ONE-LINE DIAGRAM
NO SCALE



NOTE:
GROUND WIRE NOT SHOWN FOR CLARITY. CONTRACTOR SHALL GROUND ALL EQUIPMENT IN THE LIGHTING CONTROL CABINET AS REQUIRED BY THE 2005 NATIONAL ELECTRICAL CODE.

LIGHTING CONTROLLER #01 CONTROL DIAGRAM
NO SCALE