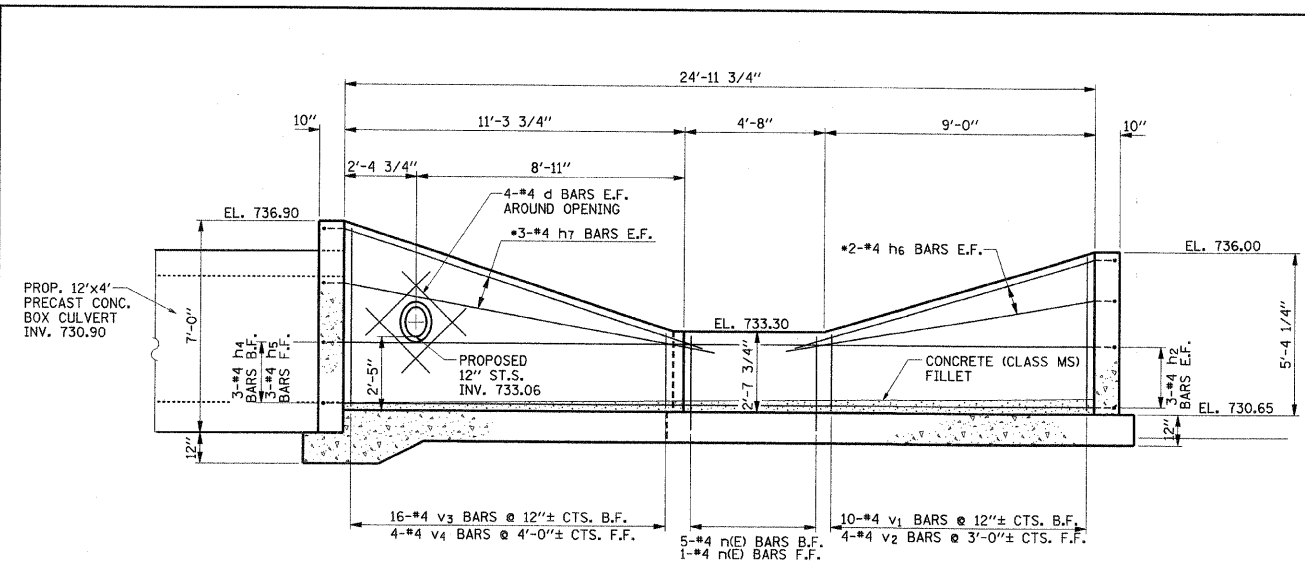
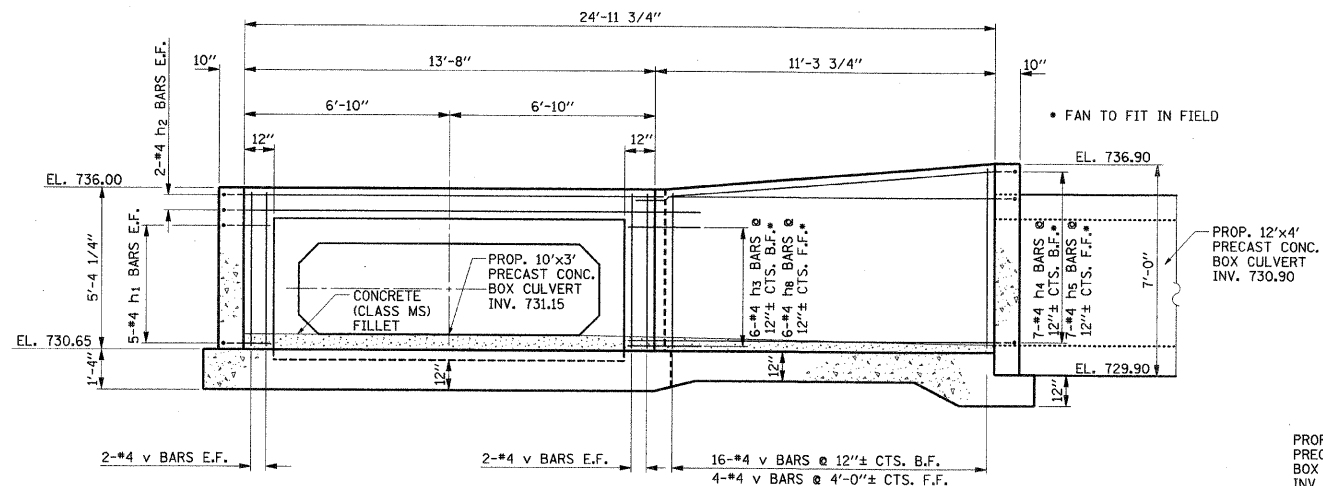


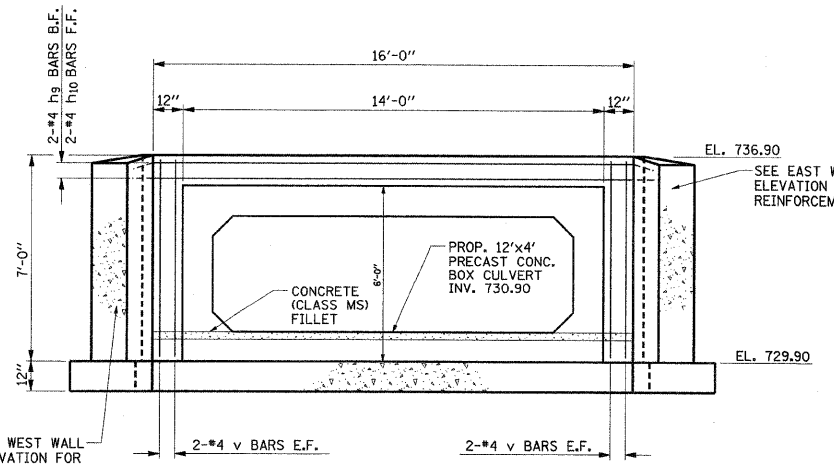
F.A.P. RTE.	SECTION	COUNTY	TOTAL SHEETS	SHEET NO.
807	00-00374-01-PV	CHAMPAIGN	242	153
STA.	TO STA.			
	ILLINOIS F.A. PROJ. NO. RS-HPP-1805(001)			
CONTRACT NO. 91368				



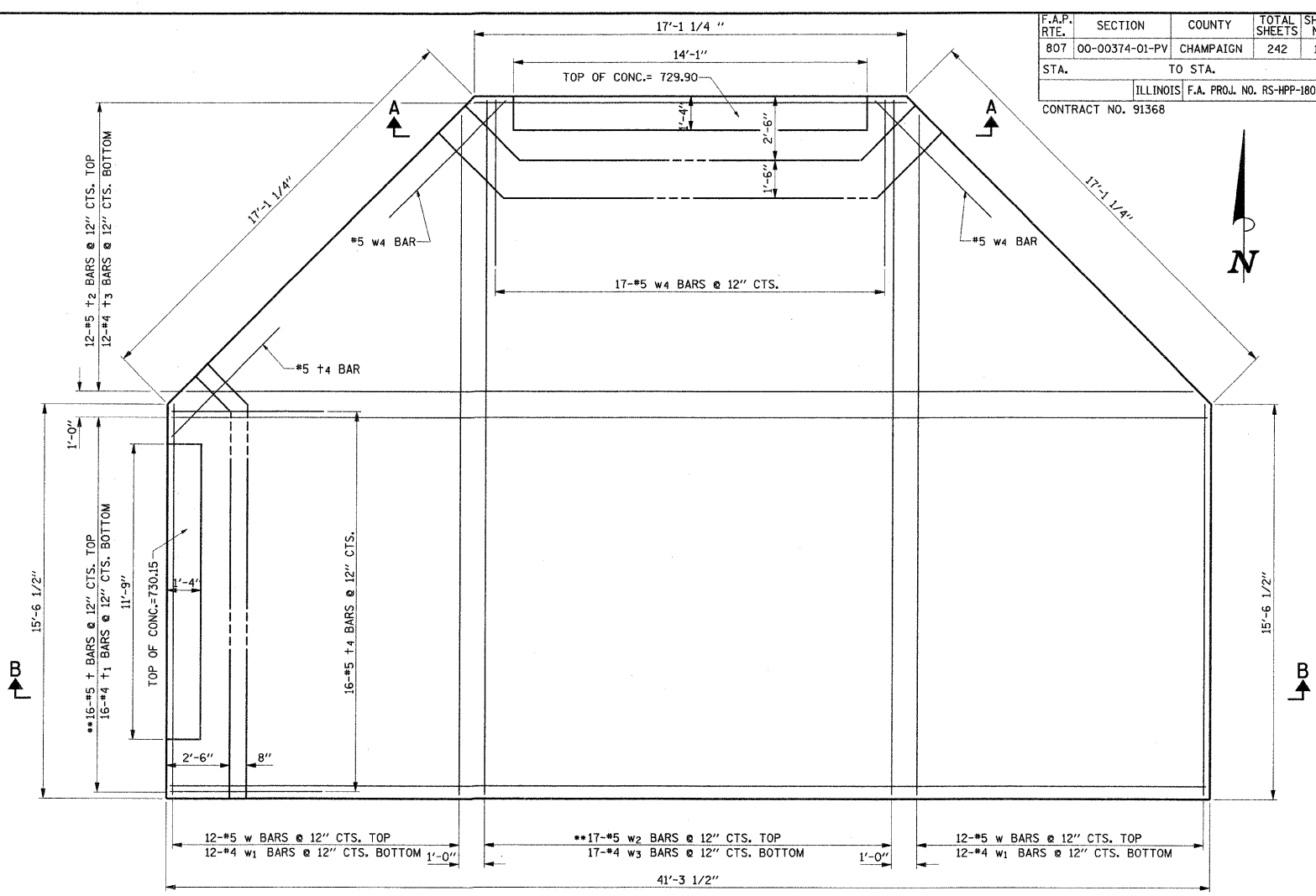
EAST WALL ELEVATION
(LOOKING EAST)



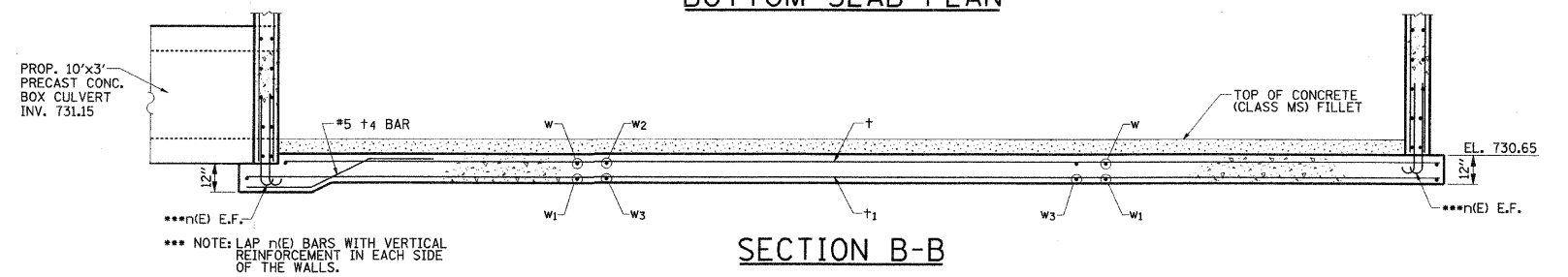
WEST WALL ELEVATION
(LOOKING WEST)



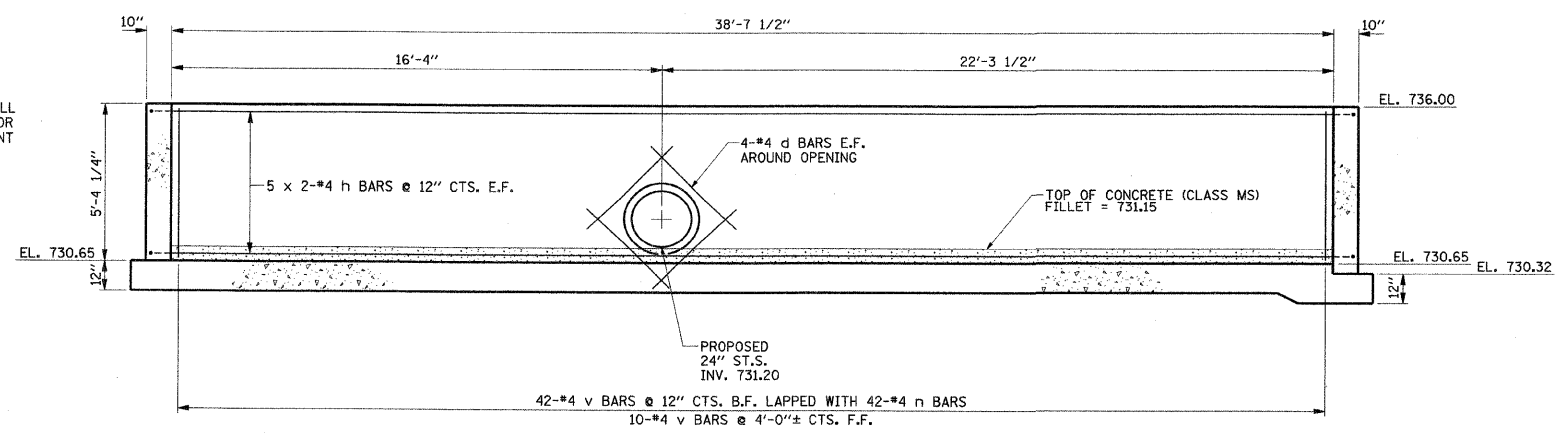
SECTION A-A
(LOOKING NORTH)



BOTTOM SLAB PLAN



SECTION B-B



SOUTH WALL ELEVATION
(LOOKING SOUTH)

ILLINOIS DEPARTMENT OF TRANSPORTATION
DROP BOX DETAIL
STA. 97+90, RT.
DATE : 10-08
DRAWN BY : J.L.B.
CHECKED BY : S.M.M.