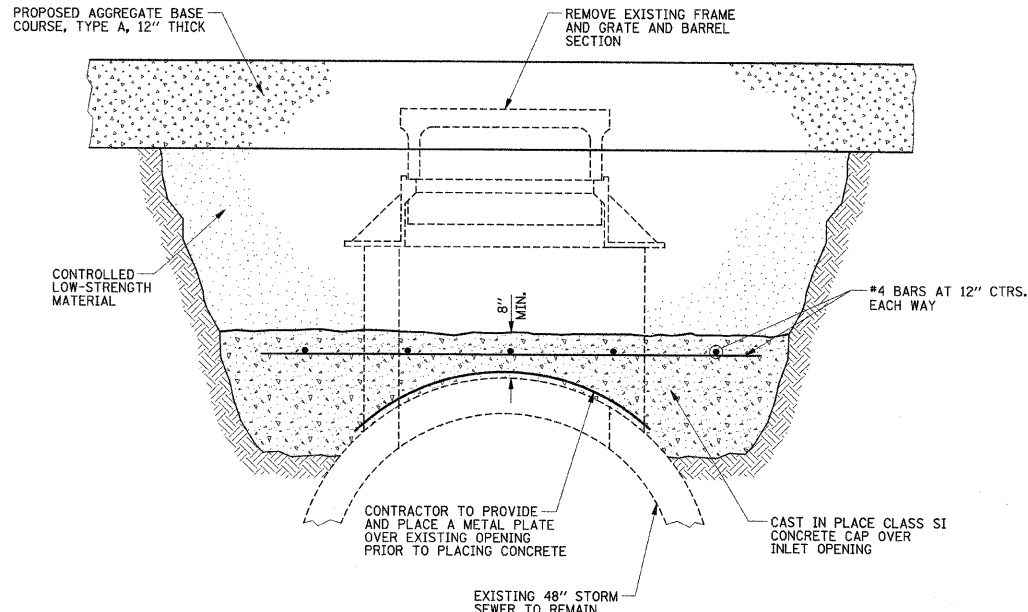
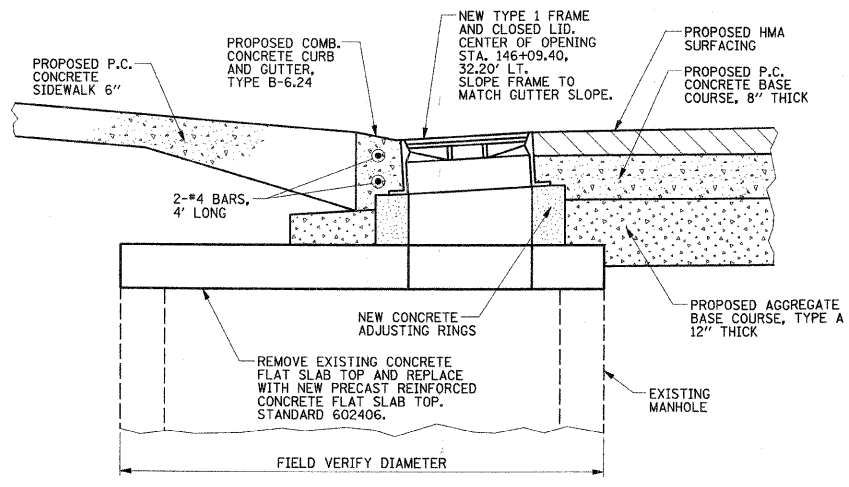


F.A.P. R.T.E.	SECTION	COUNTY	TOTAL SHEETS	SHEET NO.
807	00-00374-01-PV	CHAMPAIGN	242	162
STA.		TO STA.		
		ILLINOIS F.A. PROJ. NO. RS-HPP-1805(00)		
CONTRACT NO. 91368				



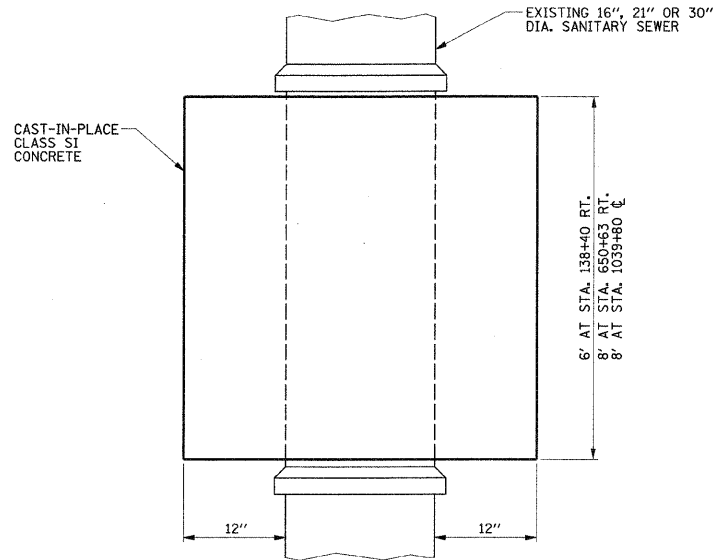
NOTE:
THIS WORK WILL BE PAID FOR AT THE CONTRACT UNIT PRICE EACH FOR REMOVE INLET, SPECIAL, WHICH PRICE SHALL INCLUDE EXCAVATION, REMOVING THE FRAME AND GRATE AND BARREL SECTION, AND CONSTRUCTING THE CONCRETE CAP WITH THE METAL PLATE AND REINFORCEMENT BARS. THE AGGREGATE BASE COURSE AND THE CONTROLLED LOW-STRENGTH MATERIAL WILL BE PAID FOR SEPARATELY.

REMOVE INLET, SPECIAL DETAIL
STA. 146+10.10 RT.

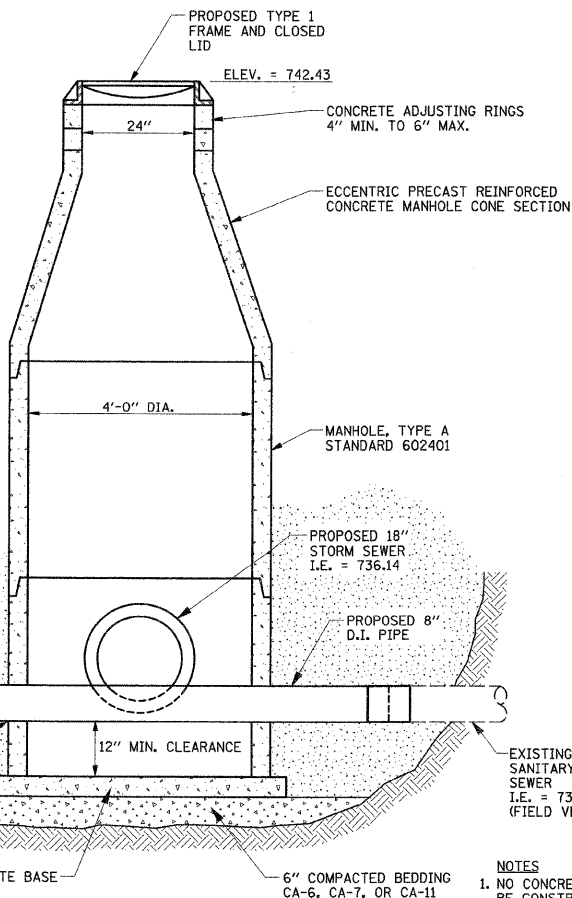


NOTE:
THIS WORK WILL BE PAID FOR AT THE CONTRACT UNIT PRICE EACH FOR MANHOLES TO BE RECONSTRUCTED (SPECIAL), WHICH PRICE SHALL INCLUDE ALL EXCAVATION, REMOVAL OF THE EXISTING FLAT SLAB TOP AND FRAMES AND GRATES, NEW FLAT SLAB TOP, FRAME AND GRATE, ADJUSTING RINGS, REINFORCEMENT BARS, AND BACKFILLING.

MANHOLE TO BE RECONSTRUCTED (SPECIAL) DETAIL
STA. 146+09.4, 32.2' LT.

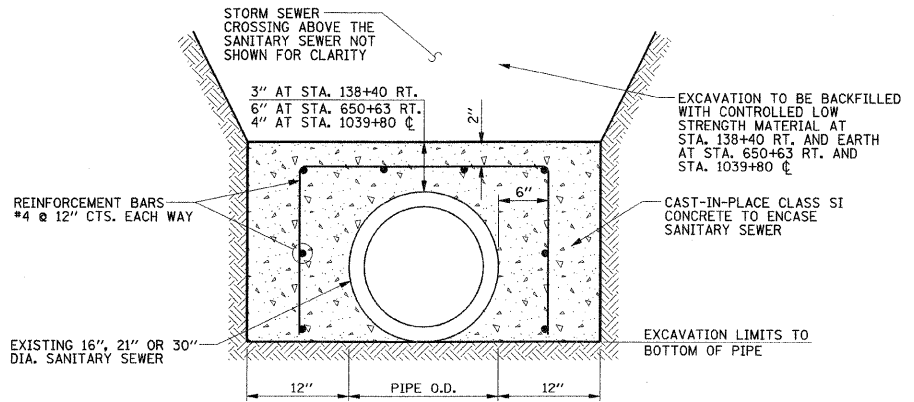


PLAN



MANHOLE, SPECIAL DETAIL
CONFLICT MANHOLE STA. 138+78.5 RT.

NOTES:
1. NO CONCRETE FILLET SHALL BE CONSTRUCTED IN THE MANHOLE.
2. MANHOLE STEPS WILL NOT BE REQUIRED

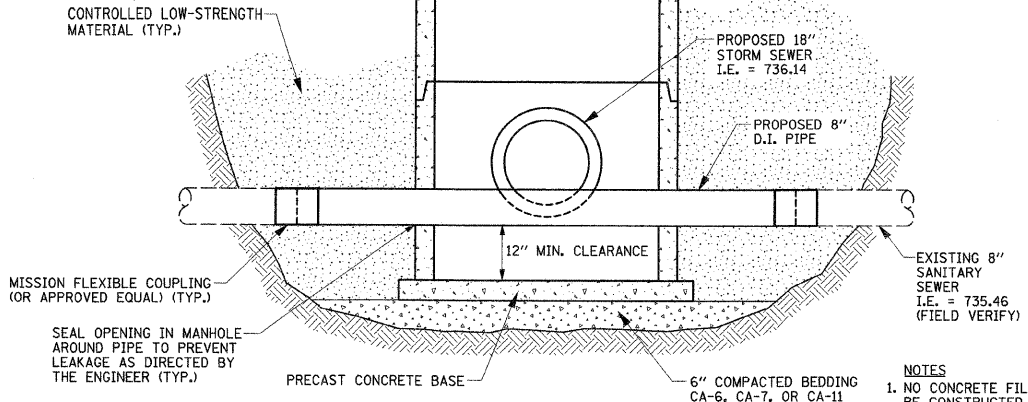


SECTION

NOTES:
1. THE CONCRETE ENCASEMENT SHALL BE CONSTRUCTED PRIOR TO INSTALLING THE STORM SEWER PIPE TO PREVENT DAMAGE TO THE SANITARY SEWER.
2. THE COST OF CONSTRUCTING THE CONCRETE ENCASEMENTS OF VARIOUS SIZES AND LENGTHS WILL BE PAID FOR AT THE CONTRACT UNIT PRICE EACH FOR CONCRETE ENCASEMENT. THE WORK SHALL INCLUDE THE EXCAVATION, CONCRETE, REINFORCEMENT BARS AND EARTH BACKFILL. THE CONTROLLED LOW STRENGTH MATERIAL WILL BE PAID FOR SEPARATELY.

CONCRETE ENCASEMENT DETAIL
(FOR STORM SEWER AND SANITARY SEWER CROSSING)

STA. 138+40 RT.
STA. 650+63 RT.
STA. 1039+80 @



CONTROLLED LOW-STRENGTH MATERIAL (TYP.)
MISSION FLEXIBLE COUPLING (OR APPROVED EQUAL) (TYP.)
SEAL OPENING IN MANHOLE AROUND PIPE TO PREVENT LEAKAGE AS DIRECTED BY THE ENGINEER (TYP.)