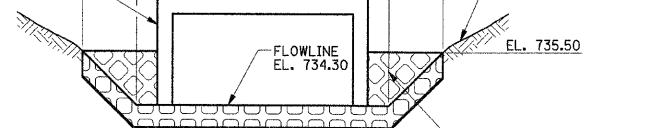
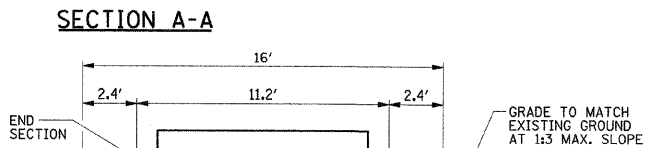
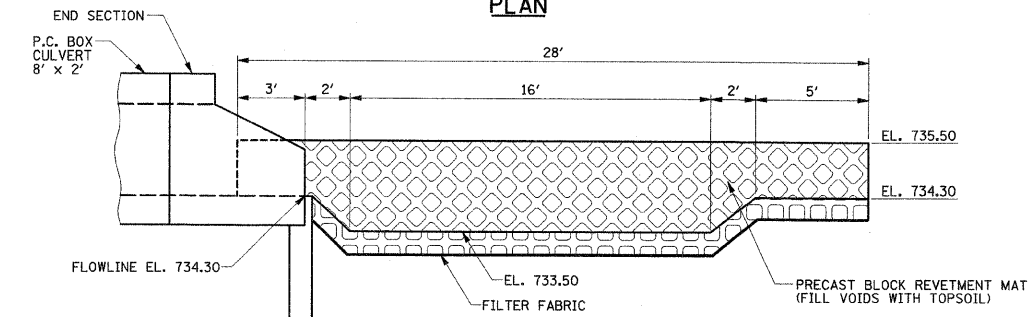
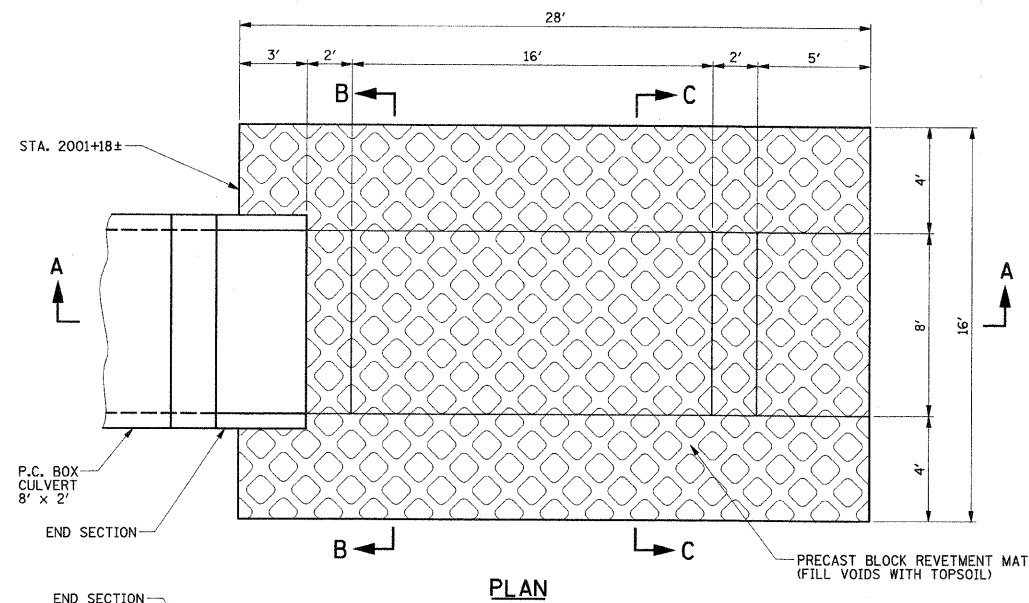
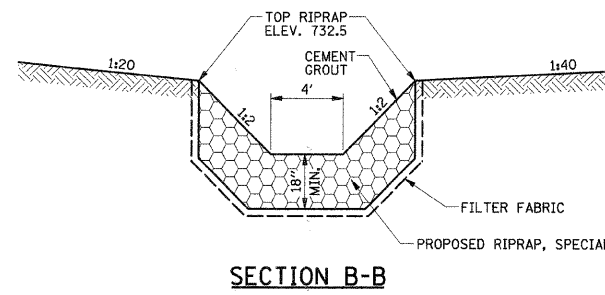


F.A.P. RTE.	SECTION	COUNTY	TOTAL SHEETS	SHEET NO.
807	00-00374-01-PV	CHAMPAIGN	242	164
STA.	TO STA.			
	ILLINOIS F.A. PROJ. NO. RS-HPP-1805(000)			
CONTRACT NO. 91368				

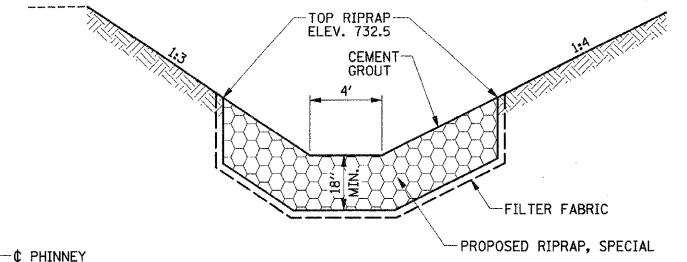


PRECAST BLOCK REVETMENT MAT DETAIL (STILLING BASIN)

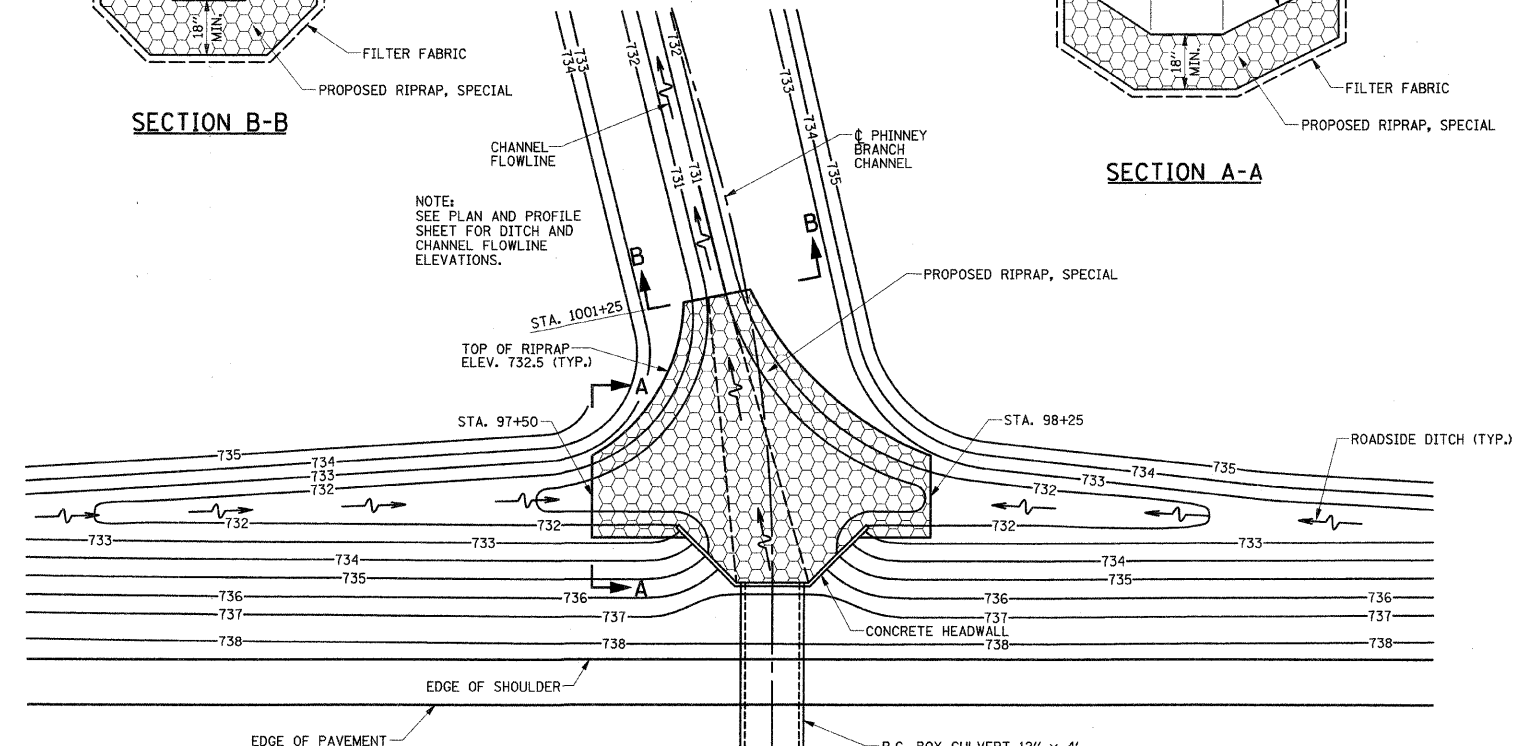
- NOTES:**
1. THE PRECAST BLOCK REVETMENT MAT SHALL BE ARMORFLEX, CLASS 30S, AS MANUFACTURED BY ARMORTEC OR APPROVED EQUAL. THE BLOCKS SHALL HAVE OPEN CELLS, 4.5 INCH MINIMUM HEIGHT AND HAVE A MINIMUM WEIGHT OF 32 POUNDS PER SQUARE FOOT.
 2. THE PRECAST BLOCK REVETMENT MAT SHALL BE IN ACCORDANCE WITH SECTION 285 OF THE STANDARD SPECIFICATIONS. THE FILTER FABRIC SHALL BE IN ACCORDANCE WITH SECTION 282 OF THE STANDARD SPECIFICATIONS.
 3. THE BLOCK MAY BE CUT OR GAPPED AROUND THE END SECTION OR TO SHAPE THE STILLING BASIN. GAPS AROUND THE END SECTION OR FOR IRREGULAR JOINTS SHALL BE FILLED WITH CONCRETE AS DIRECTED BY THE ENGINEER. THE COST OF THE CONCRETE WILL NOT BE PAID FOR SEPARATELY AND SHALL BE CONSIDERED INCLUDED IN THE COST OF THE PRECAST BLOCKS.



SECTION B-B



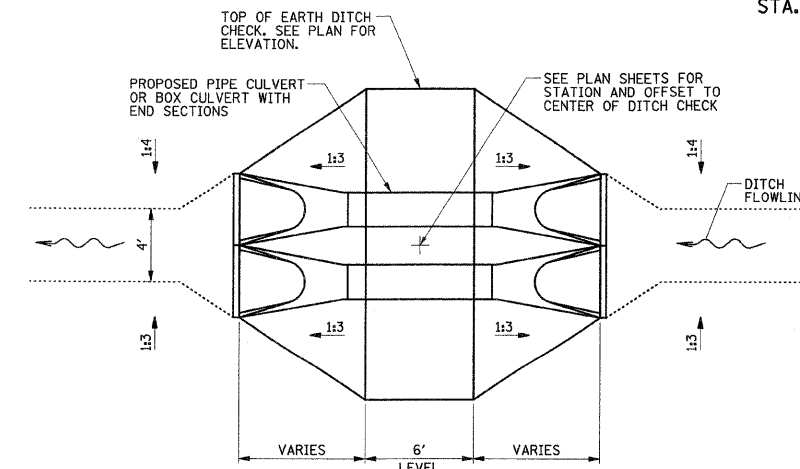
SECTION A-A



NOTE:
SEE PLAN AND PROFILE SHEET FOR DITCH AND CHANNEL FLOWLINE ELEVATIONS.

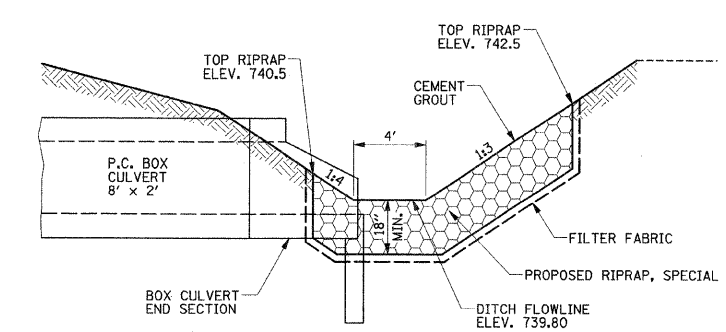
NOTE:
THIS WORK WILL BE PAID FOR AT THE CONTRACT UNIT PRICE PER TON FOR RIPRAP, SPECIAL, WHICH PRICE SHALL INCLUDE ALL MATERIALS, INCLUDING EXCAVATION, RIPRAP, FILTER FABRIC, GROUT, AND LABOR NECESSARY TO COMPLETE THE WORK. SECTION 282 OF THE STANDARD SPECIFICATIONS IS HEREBY REVISED THAT FILTER FABRIC IS NOT TO BE PAID FOR SEPARATELY, BUT INCLUDED IN THE PRICE FOR THE RIPRAP, SPECIAL AS NOTED HEREIN.

RIPRAP, SPECIAL DETAIL STA. 97+90 LT.



NOTE:
SEE PLAN AND PROFILE SHEETS FOR DITCH CHECK LOCATIONS. THE COST OF CONSTRUCTING THE SPECIAL DITCH CHECK SHALL BE PAID AT THE CONTRACT UNIT PRICE EACH.

SPECIAL DITCH CHECK DETAIL



RIPRAP, SPECIAL DETAIL STA. 131+00 RT.

ILLINOIS DEPARTMENT OF TRANSPORTATION
PRECAST BLOCK REVETMENT MAT, SPECIAL DITCH CHECK, AND RIPRAP, SPECIAL DETAILS
DATE: 10-08
DRAWN BY: J.L.B.
CHECKED BY: R.L.H.