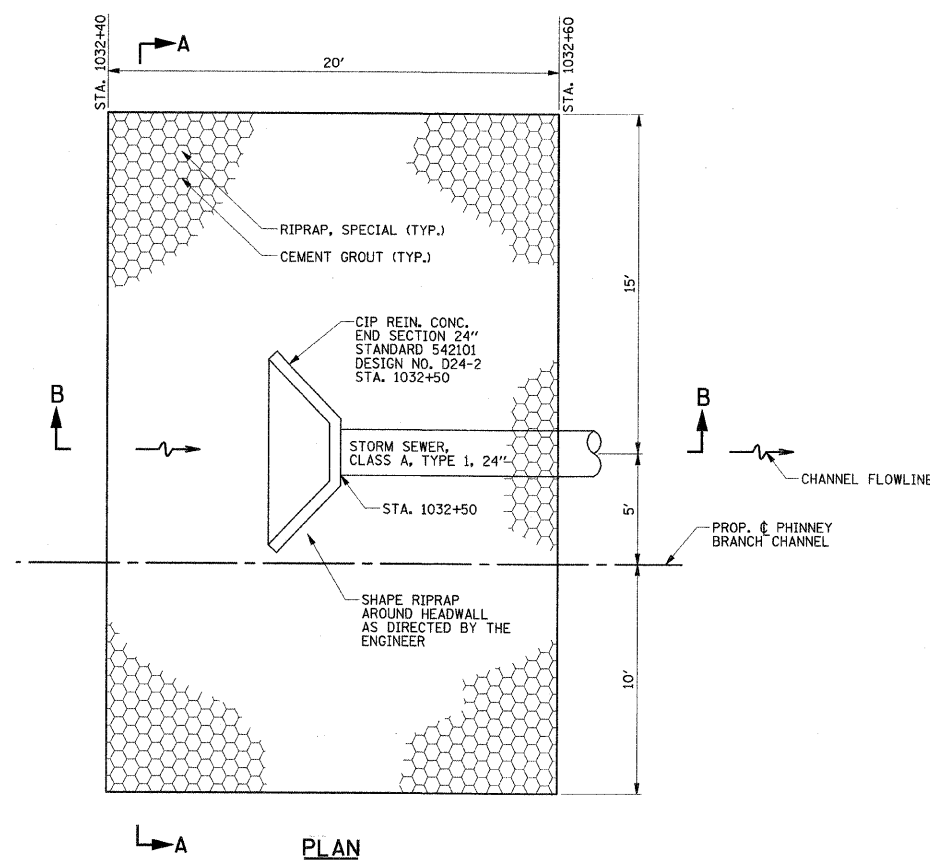
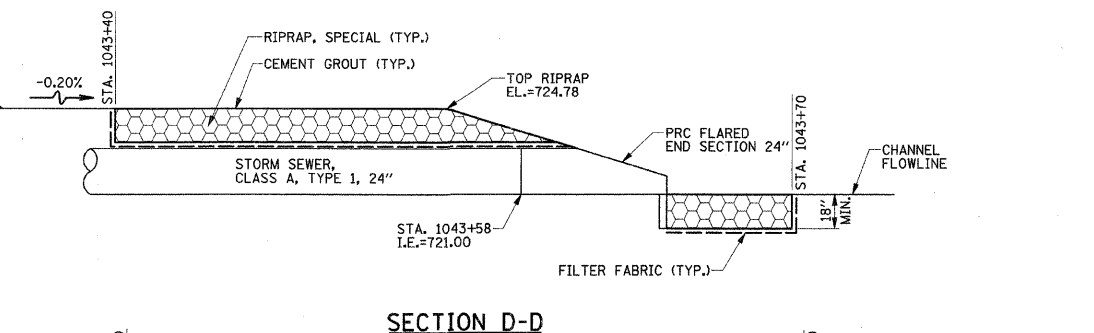
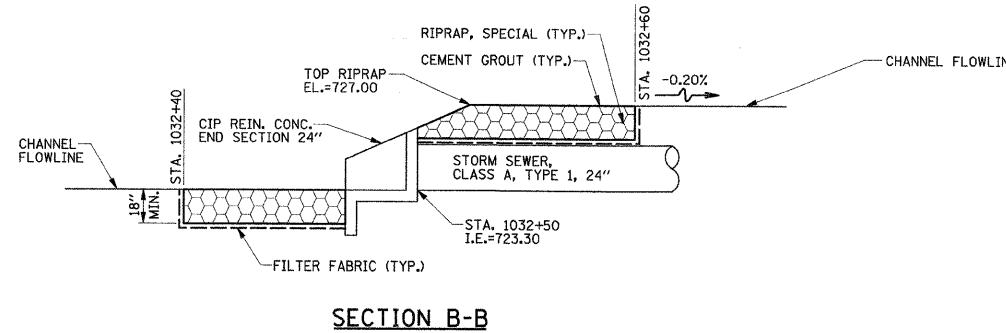
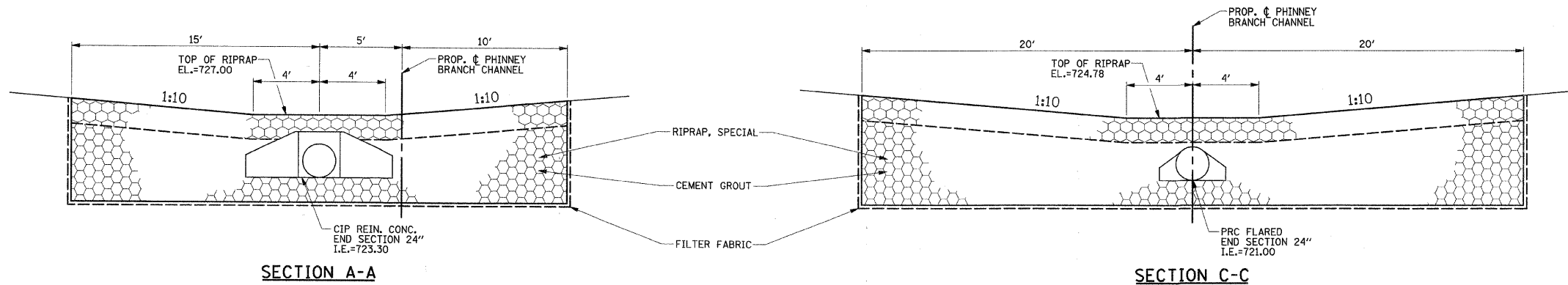
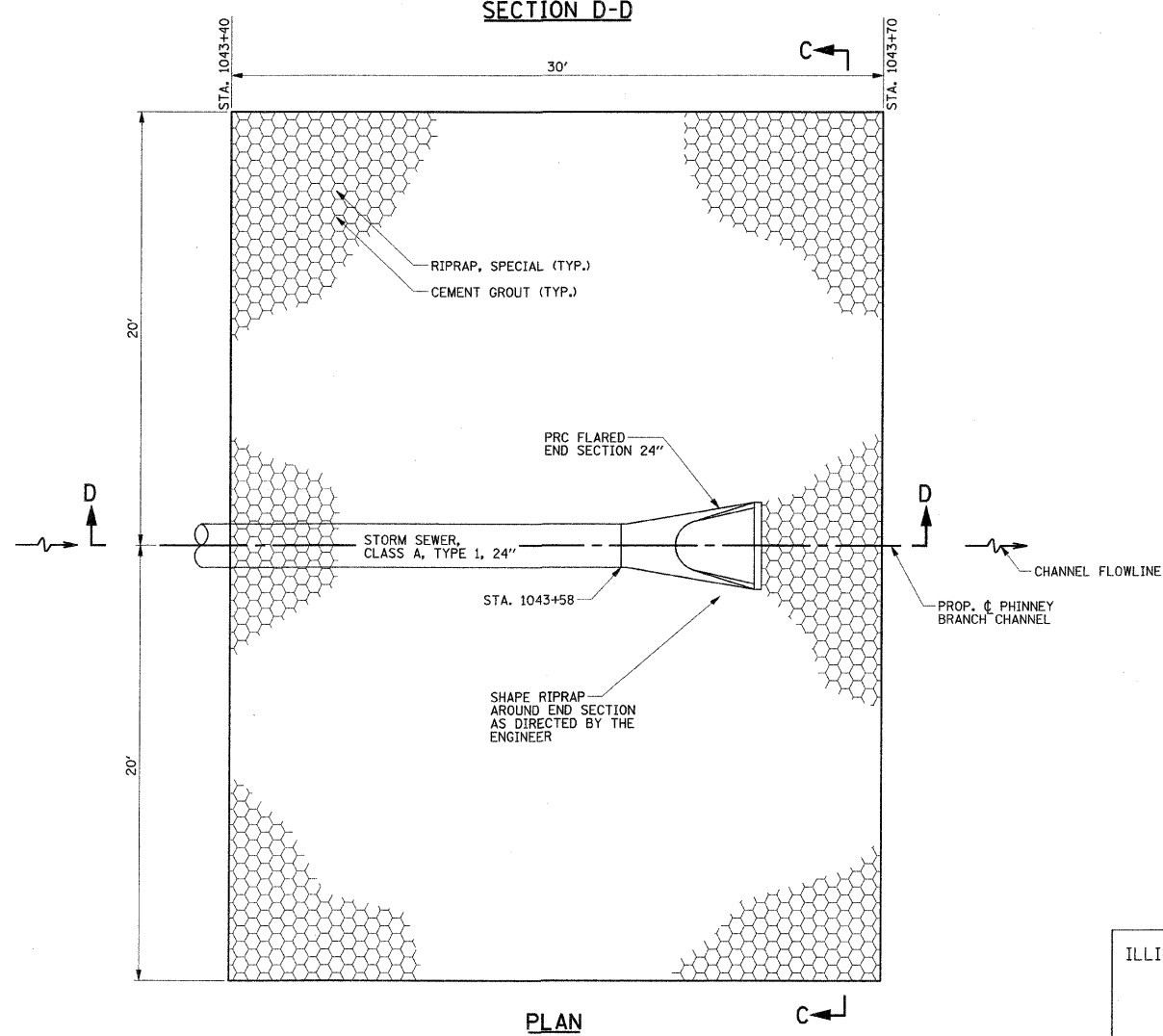


F.A.P. RTE.	SECTION	COUNTY	TOTAL SHEETS	SHEET NO.
B07	00-00374-01-PV	CHAMPAIGN	242	165
STA.		TO STA.		
ILLINOIS F.A. PROJ. NO. RS-HPP-1805(00D)				
CONTRACT NO. 91368				



RIPRAP, SPECIAL DETAIL
STA. 1032+50



RIPRAP, SPECIAL DETAIL
STA. 1043+58

ILLINOIS DEPARTMENT OF TRANSPORTATION
RIPRAP, SPECIAL DETAILS
DATE : 10-08
DRAWN BY : J.L.B.
CHECKED BY : R.L.H.
SCALE : NONE